

CABLE TRAY COVER 800  
OPTIONAL - PURCHASED SEPARATELY

CABLE TRAY SEPARATION (3x)

CABLE TRAY REAR SIDE 800 (1x)

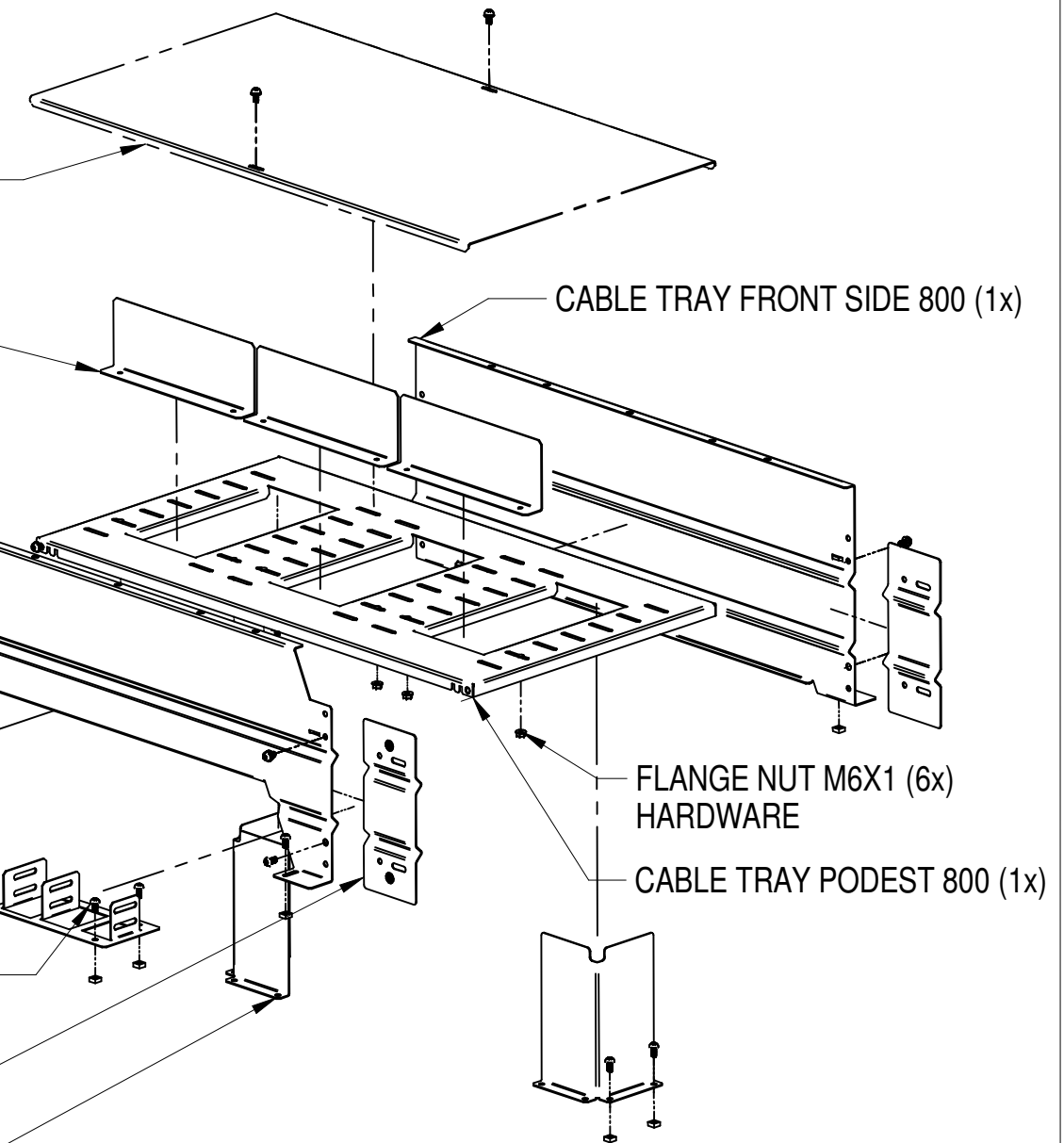
CABLE TRAY ALIGNMENT (2x)

CAGE NUT M6 (12x)  
HARDWARE

TORX T30 ROUND HEAD SCREW M6X12 (20x)  
HARDWARE

CABLE TRAY CONNECTING PLATE (2x)

CABLE TRAY PROTECTION BARRIER (2x)



NOTES:  
ALL DIMENSIONS ARE MM

DRAWN BY: JAN VODOLAN	SHEET NUMBER: 1 OF 1
CHECKED BY: JAKUB FRANCO	ECON NUMBER: CO-1020791
REFERENCE DRAWING: N/A	QUOTE NUMBER: N/A

TITLE / DESCRIPTION  
SUBTL VR CABLE TROUGH 800MM

VRA8571

DRAWING NUMBER: VRA8571-SUBTL	DATE: 08/12/2020	REV#: -	1050 DEARBORN DRIVE P.O. BOX 29196 COLUMBUS, OHIO 43229
----------------------------------	---------------------	------------	---

