

XTE 401 Ordering Guide

Outdoor Enclosures



Table of Contents

Ordering Matrix	3
Technical Specifications	3
Custom Cabinet Configuration	
Step 1. Select Cabinet Size	4
Step 2. Select Door Actuator Style	5
Step 3. Optional - Select Equipment Mounting System(s)	5
Step 4. Select Cabinet Cooling Option	7
Step 5 Optional - Select Battery Tray & Battery Restraint System	8
Step 6. Optional - Select Battery Chamber Divider Plate	8
Step 7. Optional - Select Cabinet Alarms	9
Optional Components	
Electrical Input and Distribution.....	10
Battery Heater Pads.....	11
Fiber Management	13
Forced Air Heater Kits.....	13
Battery Modules.....	13
Battery Cable Kits.....	14
Mounting Kit.....	14

Note 1: Click on the step above to jump to that page.

Note 2: To return to the Table of Contents, click on the header of any page.

Description

The Vertiv™ XTE 401 Series is a family of three small single sided low-cost indoor or outdoor rated aluminum enclosures. These versatile enclosures can be equipped with a variety of inexpensive cooling, power, protection and battery options.

- NEMA 3R design protects equipment from water and dust, while maintaining a cool operating environment.
- UL and cUL listing ensures documented performance.
- Designed to meet GR-487-CORE Issue 3 to ensure system reliability and durability.
- Aluminum construction provides superior protection for panels, cables and splices, offering a long, corrosion resistant, problem-free service life.

Application

Because of their small size, Vertiv XTE 401 enclosures are ideal for inconspicuous deployment of mobile 2G/3G/4G cellular base stations, DAS nodes, mobile backhaul, remote power solutions, fiber (FTTx) nodes, advanced metering management (AMM) nodes or hybrid controller systems (solar, wind, etc.).



*Vertiv XTE 401 2410
Enclosure with Battery Tray,
DIN Rail and Fan Cooling*

Ordering Matrix

Description	Value	
Enclosure Type	NXC = Vertiv XTE 401 Series	
Cabinet Size (H x W x D)	2410 = 24" x 24" x 10"	2416 = 24" x 24" x 16"
Door Latch Actuator	A = Hex/pin	B = 216/can wrench
.625" Backboard Mounting	A = None	B = Half
19" Vertical Rack System Mounting	V0 = None	V1 = Half
23" Horizontal Rack Mounting (3816 only)	H0 = None	H1 = Full
Cooling Options	0 = Vents only 1 = 24 VDC fan 2 = 48 VDC fan	3 = 120 VAC fan 4 = 24 VDC HX
Battery Tray	A = No tray	B = Battery tray
Battery Chamber Divider Plate	A = No plate	B = Divider plate
Cabinet Alarms	0 = No alarms 1 = Door	2 = Hi/lo temp Door/hi/lo 3 = Custom

Technical Specifications

Physical Characteristics	NxC2410 and NxC2416	NxC3816
Enclosure Dimensions (H x W x D)	24" x 24" x 10" (NxC2410) 24" x 24" x 16" (NxC2416)	38" x 24" x 16"
Rack Options and Dimensions	19" W, (11) x 1.75" RU (standard) 19" W, (6) x 1.75" RU (optional, used with battery tray)	19" W, (18) x 1.75" RU (standard) 19" W, (13) x 1.75" RU (optional, used with battery tray) 23" W, (10) x 1.75" RU vertical mount
Backboard Options & Dimensions	Full height, .625" thick, plywood backboard 20" W x 20" H Half height, .625" thick, plywood backboard 20" W x 12" H	Full height, .625" thick, plywood backboard 20" W x 32" H Half height, .625" thick, plywood backboard 20" W x 22" H
Battery Tray Options* & Dimensions	22" W x 7" D battery tray assy 22" W x 13" D battery tray assy (NxC2416 only)	22" W x 7" D battery tray assy 22" W x 13" D battery tray assy
Weight (empty)	35 lbs. (NxC2410) 45 lbs. (NxC2416)	55 lbs. (NxC3816)
Color	Off white	

*All battery trays can be equipped with an optional 120 VAC battery heater pad.

Electrical

Duplex Convenience Receptacle	120 VAC, GFI or non-GFI
Load Center	4 position, 30 amp, 120/240 VAC (optional)
DIN Rail Mounted Load Center	2 position, 30 amp, 120/240 VAC (optional)

XTE 401 Ordering Guide

Technical Specifications (continued)

Cable Entrance

Cable Entry	(3) 1.375" cable entry ports
Ground Cable Entry	(1) 1.375" cable entry port
AC Entry	(1) 1.375" conduit entry port
Miscellaneous Cable Entry	(2) .625" cable entry port

Security

Equipment Chamber Front Door	(2) 1/2 turn latch, padlockable Optional door actuators include hex/pin and 7/16" hex nut styles
-------------------------------------	---

Alarm Options	High temperature alarm Low temperature alarm Front door intrusion alarm	49 °C (122 °F) 5 °C (40 °F)
----------------------	---	--------------------------------

Environmental

Operating Temperature	-40°C to +46°C (-40°F to +115°F)	
Humidity	0 to 95% non-condensing	
Elevation	0 to 10,000 ft.	
Cooling	Free air, convection cooled with sealed or vented side plates (optional) 24V or 48V DC, 500 watt fan cooled (optional) 24V or 48V DC, 500 watt heat exchanger (optional)	
Safety Compliance	UL Listed, cUL, GR-487 (as applicable)	

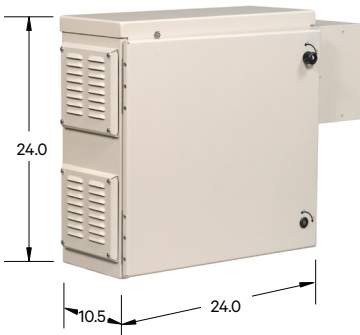
Custom Cabinet Configuration

Step 1. Select Cabinet Size

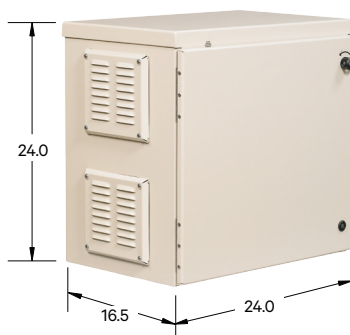
All three cabinet sizes are 24" wide and designed to house either wall mounted equipment using a plywood backboard or 19" wide equipment rack (3816 has option for 23" wide rack) and can be equipped with the following optional components: cooling systems, electrical components, DC power systems, and battery systems.

Cabinet Model Number	Dimensions (H x W x D)	Max. Equipment Depth	Max. Rack Mounted Equipment Depth
NxC2410	24" x 24" x 10.5"	8 inches	8 inches
NxC2416	24" x 24" x 16.5"	14 inches	12 inches
NxC3816	24" x 38" x 16.5"	14 inches	12 inches

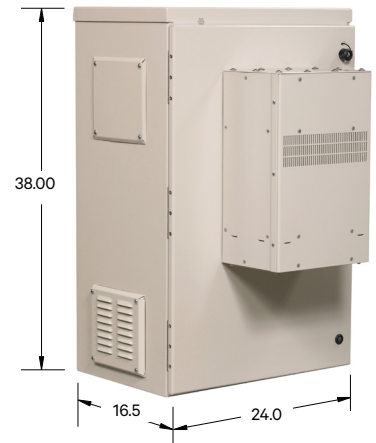
Dimensions



Vertiv™ XTE 401, NxC2410 Cabinet



Vertiv XTE 401, NxC2416 Cabinet



Vertiv XTE 401 NxC3816 Cabinet

Step 2. Select Door Actuator Style

Cabinet Model Number	Description
NxC3816A	5/16" hex head, with pin
NxC3816B	7/16" can wrench
NxC3816C	Special (if required, must be customer specified)

Step 3. Optional - Select Equipment Mounting System(s)

Two styles of equipment mounting are available for use in any cabinet, the .625" plywood backboard or 19" vertical rack system. Cabinets can be equipped with both options, if required.

Cabinet Model Number	Description	Mounting Space	Fig.	Notes
.625" Plywood Backboard (for wall mount equipment)				
NxC3816AA	No backboard			
NxC3816AB	1/2 backboard	20" W x 12.50" H (24" high cabinets) 20" W x 22.75" H (38" high cabinets)	Fig. 1 Fig. 2	.75" long stainless steel wood screws are recommended for mounting equipment, but not provided.
NxC3816AC	Full backboard	20" W x 20" H (24" high cabinets) 20" W x 32" H (38" high cabinets)	Fig. 3 Fig. 4	
19" Vertically Mounted Rack System (for rack mount equipment)				
NxC3816AAV0	No 19" vertical rack required			
NxC3816AAV1	1/2 height 19" rack system	6 rack spaces (24" high cabinets) 13 rack spaces (38" high cabinets)	Fig. 5 Fig. 6	Maximum rack mounted equipment depth is 8" in a 10" deep cabinet and 12" in a 16" deep cabinet
NxC3816AAV2	Full height 19" rack system	11 rack spaces (24" high cabinets) 18 rack spaces (38" high cabinets)	Fig. 7 Fig. 8	
23" Horizontally Mounted Rack System (for 3816 only)				
NxC3816AAV1H0	No horizontal 23" rack required			Must be used with 1/2 height 19" rack system. Maximum rack mounted equipment depth is 12" in a 16" deep cabinet.
NxC3816AAV1H1	Horizontal 23" rack system	10 rack spaces (3816 only)	Fig. 9	

NOTE: 1/2 backboard or 1/2 height rack option must be specified if batteries are to be mounted on the floor of the cabinet. Cabinet will not accept batteries if full backboard or full height rack option is specified.

XTE 401 Ordering Guide

Dimensions

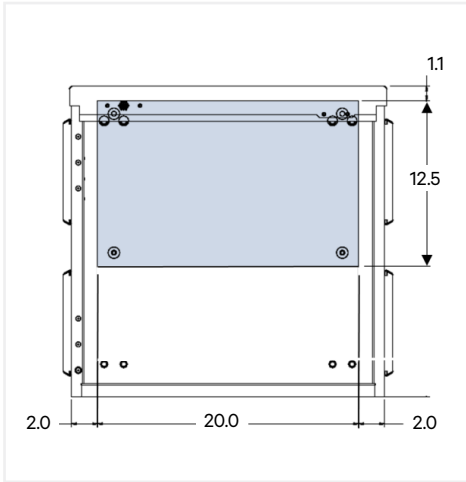


Figure 1) 1/2 Back Board – Nx C2410 & Nx C2416

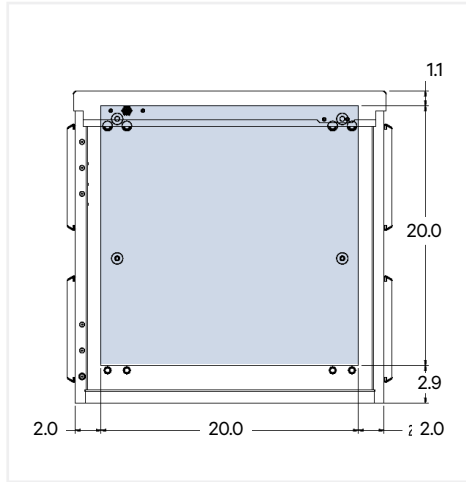


Figure 2) Full Back Board – Nx C2410 & Nx C2416

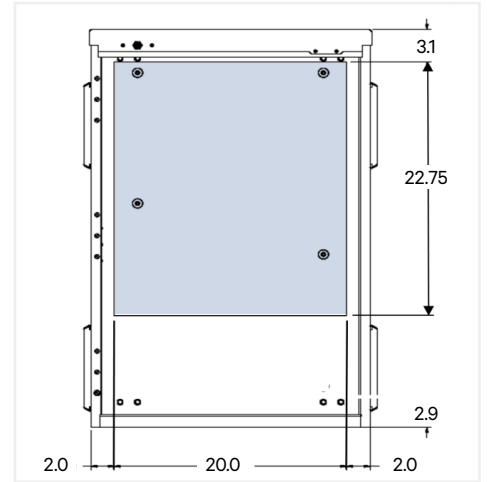


Fig. 3) 1/2 Back Board – Nx C3816

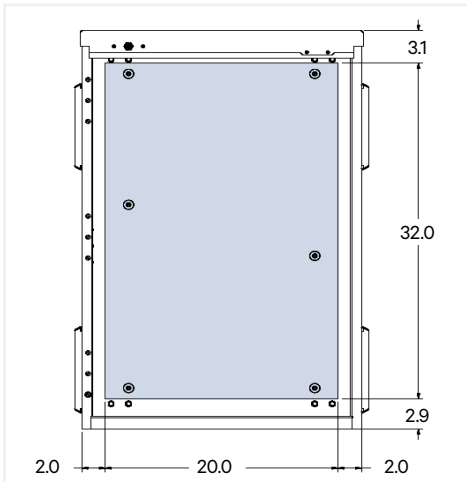


Fig. 4) Full Back Board – Nx C3816

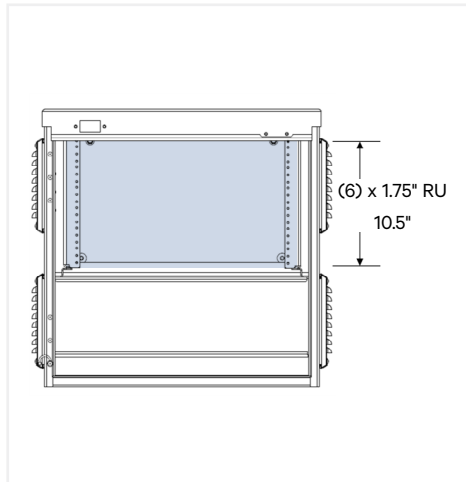


Fig. 5) 1/2 Height 19" Rack System – Nx C2410 & Nx C2416

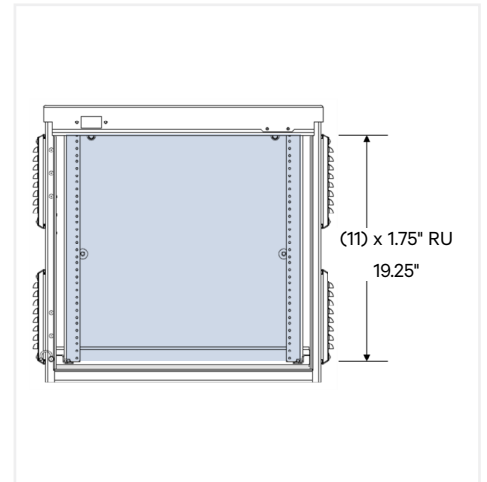


Fig. 6) Full Height 19" Rack System – Nx C2410 & Nx C2416

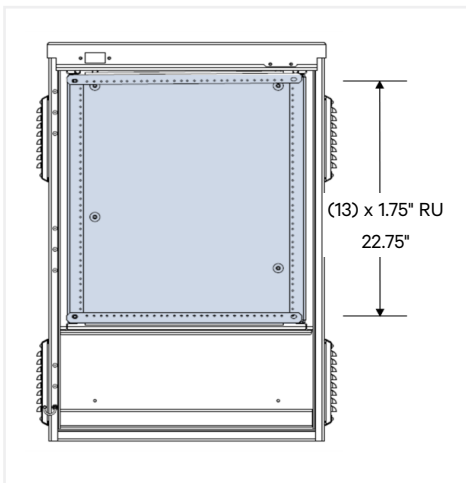


Fig. 7) 1/2 Height 19" Rack System - Nx C3816

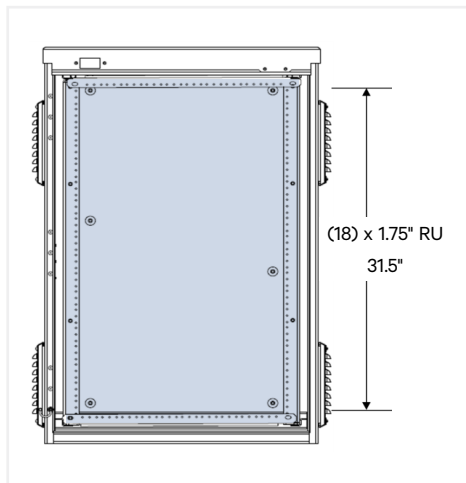


Fig. 8) Full Height 19" Rack System – Nx C3816

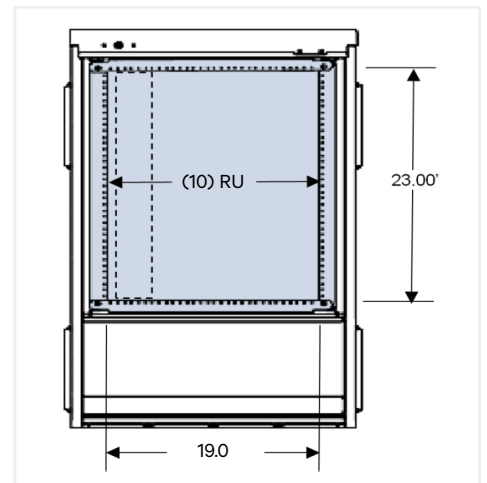


Fig. 9) 23" Horiz. Mounted Rack System – Nx C3816

Step 4. Select Cabinet Cooling Option

Cabinets can be equipped with a single cooling option only and are available in either +24 VDC or -48 VDC operating voltages. There are restrictions for cooling options depending on the equipment deployed as well as restrictions on thermal capacity of the cooling system.

Cabinet Model Number	Description	Maximum Wattage	Recommended Equipment	Fig.
NxC3816AAV1H10	Vented cabinet only	85 W	GR-3108 Class 4 rated equipment	Fig. 10
NxC3816AAV1H11	+24 VDC fan cooled cabinet	400 W	GR-3108 Class 4 rated equipment	Fig. 11
NxC3816AAV1H12	-48 VDC fan cooled cabinet	400 W	GR-3108 Class 4 rated equipment	Fig. 11
NxC3816AAV1H13	120 VAC fan cooled cabinet	400 W	GR-3108 Class 4 rated equipment	Fig. 11
NxC3816AAV1H14	+24 VDC heat exchanger cooled cabinet	460 W	GR-3108 Class 2 & Class 3 rated equipment	Fig. 12, 13, 14
NxC3816AAV1H15	-48 VDC heat exchanger cooled cabinet	460 W	GR-3108 Class 2 & Class 3 rated equipment	Fig. 12, 13, 14
NxC3816AAV1H16	Sealed, no cooling	50 W, indoor only		Fig. 15

NOTE: The Vertiv™ XTE 401 Series is not designed for deployment of GR-3108 Class 1 rated equipment. Contact the factory if equipment heat loads exceed the ratings provided for each cooling system. The heat loads provided above assume an internal cabinet air movement of 40 CFM.

Cooling Options

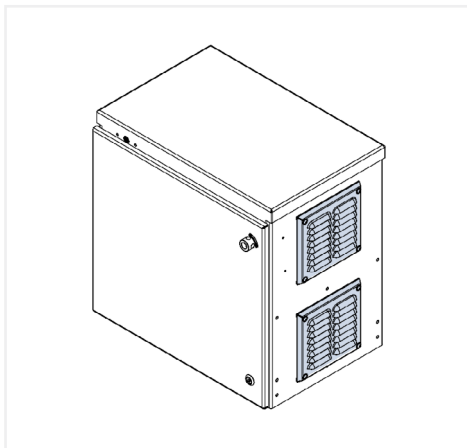


Fig. 10) Convection Cooled Cabinet e/w Vent Plates

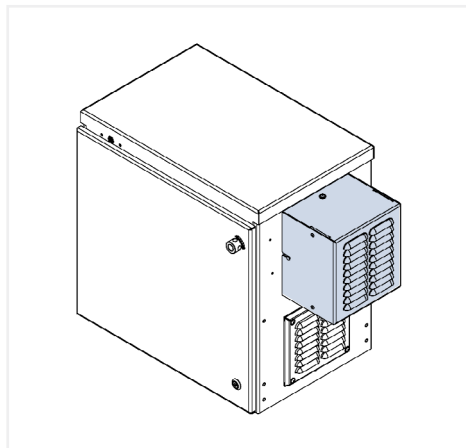


Fig. 11) Fan Cooled Cabinet

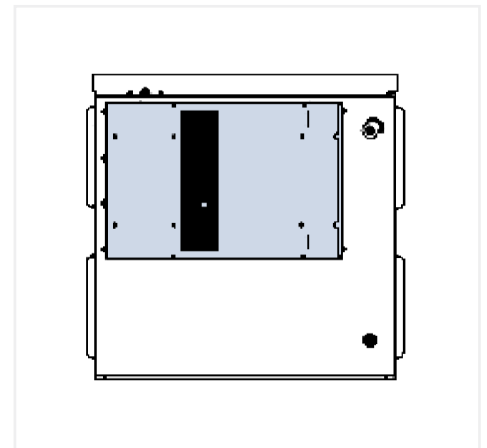


Fig. 12) 24 VDC or 48 VDC Door Mounted Heat Exchanger NxC2416 – Front View

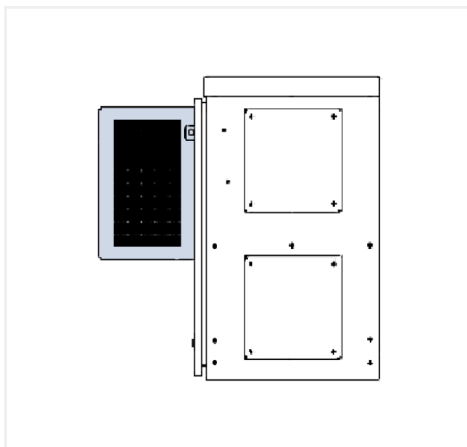


Fig. 13) 24 VDC or 48 VDC Door Mounted Heat Exchanger NxC2416 – Side View

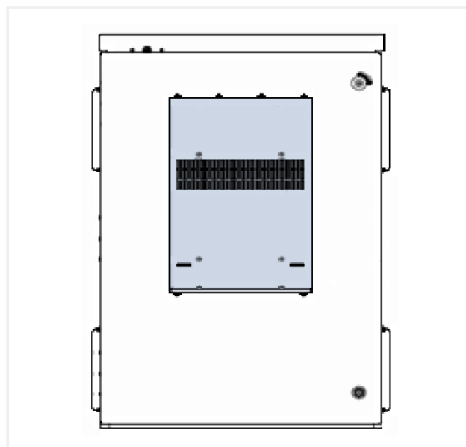


Fig. 14) 24 VDC or 48 VDC Door Mounted Heat Exchanger NxC3816 – Front View

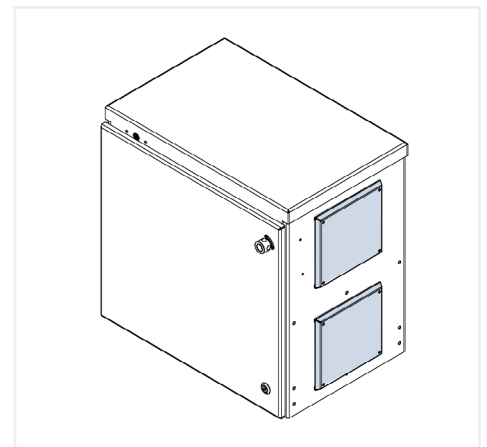


Fig. 15) Convection Cooled Cabinet e/w Sealing Plates

XTE 401 Ordering Guide

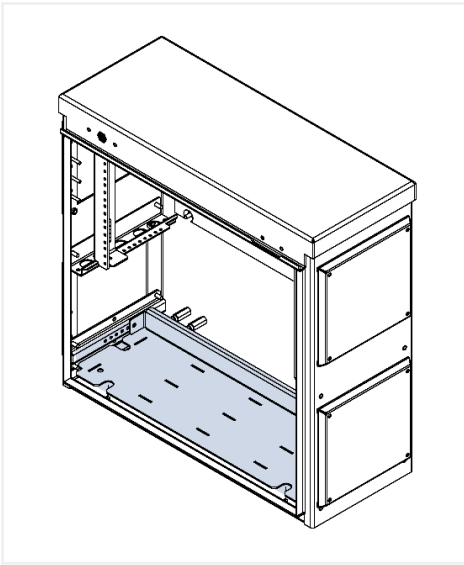
Step 5. Optional - Select Battery Tray & Battery Restraint System

The battery tray and restraint system will sit on the cabinet floor.

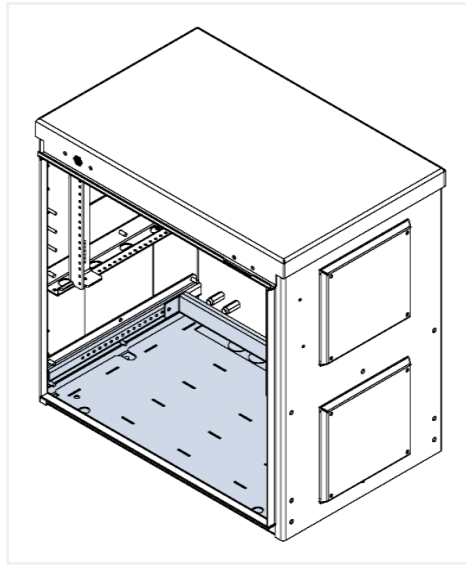
If the battery tray system is required, only the 1/2 back board and/or 1/2 height rack system can be used.

Cabinet Model Number	Description	Battery Tray Depth
NxC3816AAV1H15A	No battery tray system	
NxC3816AAV1H15B	Battery tray system required	7" tray for 10" deep cabinets 13" tray for 16" deep cabinets

NOTE: When the cabinet size is specified in Step 1, the correct size tray system will be installed. The system does not include a battery heater pad, battery cabling, a battery disconnect or batteries, but these can be ordered as [Optional Components](#).



NxC2410 Cabinet e/w Battery Restraint Bracket and Floor Mounting Plate



NxC2416 Cabinet e/w Battery Restraint Bracket and Floor Mounting Plate

Step 6. Optional - Select Battery Chamber Divider Plate

The battery chamber divider plate separates the battery area from the equipment area.

The divider plate is required if batteries are to be deployed in a heat exchanger cooled cabinet.

Cabinet Model Number	Description	Battery Mounting Space (H x W x D)	Divider Plate Depth
NxC3816AAV1H15BA	No battery chamber divider plate	N/A	
NxC3816AAV1H15BB	Battery chamber divider plate required	NxC2410 = 8.25" x 22" x 6.75" NxC2416 = 8.25" x 22" x 12.75" NxC3816 = 9.25" x 22" x 12.75"	10 inches 16 inches 16 inches

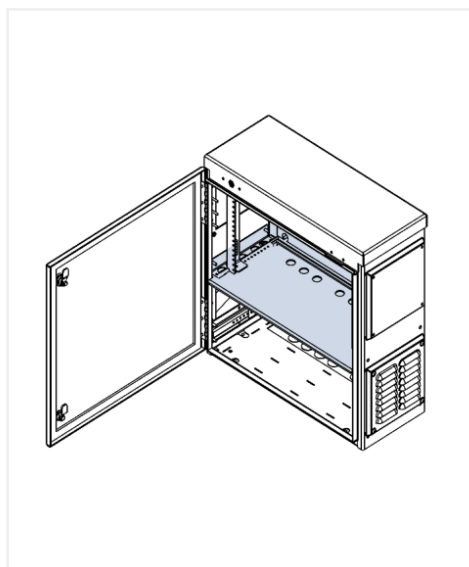
NOTE: When the cabinet size is specified in Step 1, the correct size tray system will be installed. The system does not include a battery heater pad, battery cabling, a battery disconnect or batteries, but these can be ordered as [Optional Components](#).

Step 6. Optional - Select Battery Chamber Divider Plate

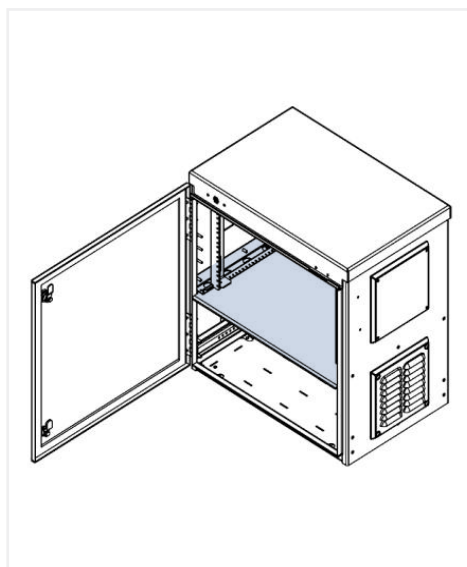
The battery chamber divider plate separates the battery area from the equipment area. The divider plate is required if batteries are to be deployed in a heat exchanger cooled cabinet.

Cabinet Model Number	Description	Battery Mounting Space (H x W x D)	Divider Plate Depth
NxC3816AAV1H15BA	No battery chamber divider plate	N/A	
NxC3816AAV1H15BB	Battery chamber divider plate required	NxC2410 = 8.25" x 22" x 6.75" NxC2416 = 8.25" x 22" x 12.75" NxC3816 = 9.25" x 22" x 12.75"	10 inches 16 inches 16 inches

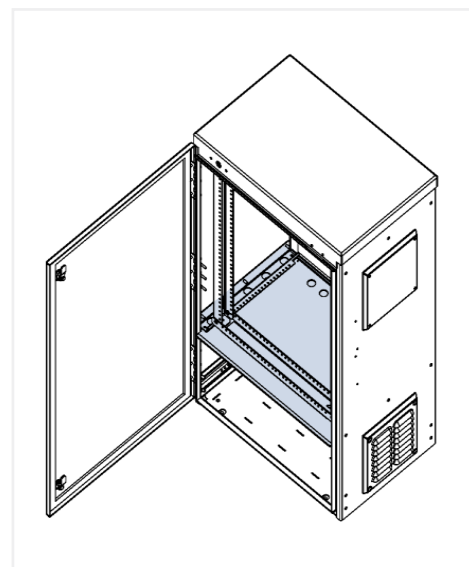
NOTE: When the cabinet size is specified in Step 1, the correct size tray system will be installed. The system does not include a battery heater pad, battery cabling, a battery disconnect or batteries, but these can be ordered as [Optional Components](#).



NxC2410 Cabinet e/w Battery Chamber Divider Plate Installed



NxC2416 Cabinet e/w Battery Chamber Divider Plate Installed



NxC3816 Cabinet e/w Battery Chamber Divider Plate Installed

Step 7. Optional - Select Cabinet Alarms

The alarm packages shown are cabinet alarms only, and do not include optional equipment alarms. All optional equipment alarms must be specified separately.

Cabinet Model Number	Description	Terminal Strip
NxC3816AAV1H15BB0	No alarms	None provided
NxC3816AAV1H15BB1	Door alarm only	None provided
NxC3816AAV1H15BB2	Cooling system fail alarm only (hi/lo)	10 position terminal strip provided
NxC3816AAV1H15BB3	Door & cooling system fail alarm (hi/lo)	10 position terminal strip provided
NxC3816AAV1H15BB4	Custom	10 position terminal strip provided

XTE 401 Ordering Guide

Order Optional Components (as needed)

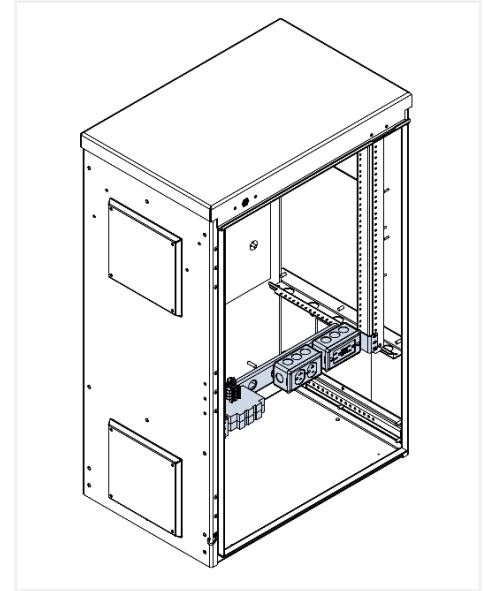
If optional AC equipment, DC power systems, battery plants are required, specify from the following optional cabinet components. The items below should be specified individually as required, and the optional components have placement restrictions when used in the Vertiv™ XTE cabinets. Consult with the factory for detailed engineering requirements for the equipment specified.

Electrical Input and Distribution

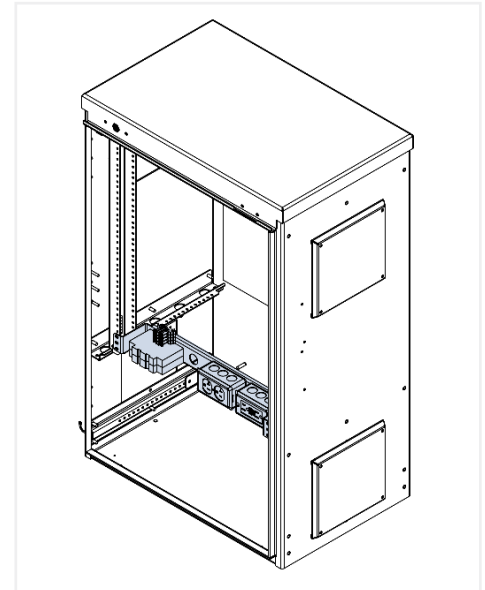
Part Number	Description	Notes
Standard Electrical Options		
555769	Kit, GFI Protected 120 VAC duplex convenience receptacle	Receptacles can be mounted directly to the plywood back board (if equipped).
551301	Kit, 120 VAC equipment duplex receptacle	If the receptacles are to be mounted in a cabinet without a backboard, specify the rack mount panel.
553464	Kit, 19" W x 1 RU receptacle mounting panel, rack mount	The rack mount panel will accept up to 3 receptacles, and all receptacles require an externally fused AC source.
DIN Rail Mounted AC Input Breakers and Receptacles		
551303	Kit, 15 amp and 20 amp AC input breaker, DIN rail mounted, 120 V operation	All DIN rail mounted breakers and receptacles can be mounted directly to the plywood back board (if equipped).
555769	Kit, GFI protected 120 VAC duplex convenience receptacle	If the DIN rail mounted breakers and receptacles are to be mounted in a cabinet without a backboard, specify the rack mount panel.
553464	Kit, 19" W x 1 RU receptacle mounting panel, rack mount	The rack mount panel will accept up to 1 breaker kit and 2 receptacles.
551304	Kit, 120 VAC input surge protector	
Standard AC Load Centers and Receptacles**		
551297*	Kit, 2 position NEC internal load center, 30 amp, 120/240 VAC, 2 position, 60 Hz, 1 ph	Internal load centers can only be mounted directly to the plywood back board, and when mounted, no equipment can be mounted in front of the load center.
551298*	Kit, 2 position CSA internal load center, 30 amp, 120/240 VAC, 2 position, 60 Hz, 1 ph	
555052*	Kit, 6 position NEC/CSA NEMA3R external load center, 30 amp, 120/240 VAC, 6 position, 60 Hz, 1 ph	External load center can only be used on the 38" high cabinet and will mount to the side wall of the cabinet.

* Tandem 15 amp and 20 amp AC breakers can also be used in any of the load centers above and will double the number of breaker positions available.

** Contact Vertiv if 240 VAC surge protector is required.



AC Mounting Panel – Left Iso View



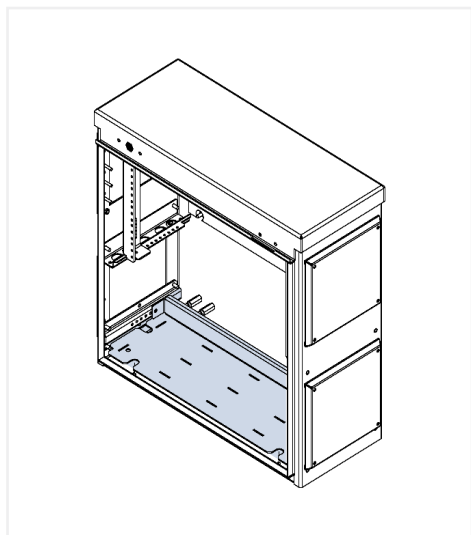
AC Mounting Panel – Right Iso View

Battery Heater Pads

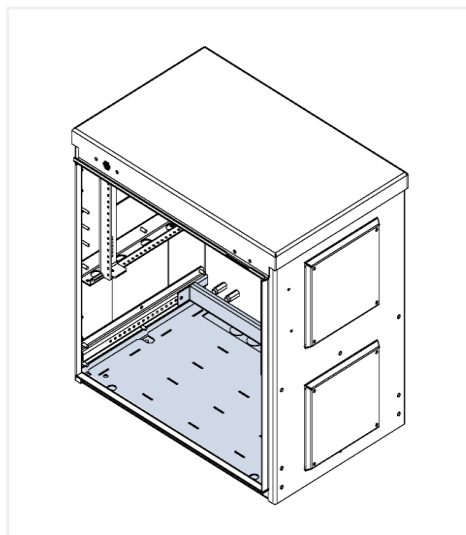
If a battery heater pad is desired, the Vertiv™ XTE 401 cabinet must be equipped with an AC receptacle, battery restraint and floor mounting plate kit. The battery heater pad will mount under the floor mounting plate, and will warm the battery only; it is not intended to heat the battery or equipment chamber. The heater pad turns on when the battery temperature reaches 5 °C and turns off when warmed to 15 °C.

Part Number	Description
556187	Kit, 75 W, 120 VAC, battery heater pad assembly, for use with 13" D battery tray system
556186	Kit, 40 W, 120 VAC, battery heater pad assembly, for use with 7" D battery tray system

NOTE: AC receptacle, battery restraint and floor mounting plate kit options must be specified to use the battery heater pad. Kit includes all AC wiring to allow the pad to be plugged into a duplex receptacle.



*NxC2410 Cabinet e/w Battery Restraint Bracket,
Floor Mounting Plate & Heater Pad*



*NxC2416 Cabinet e/w Battery Restraint Bracket,
Floor Mounting Plate & Heater Pad*

XTE 401 Ordering Guide

DC Power Systems

These DC Power Systems are designed for operation in a heat exchanger cooled cabinet. Can be used in sealed cabinets with some limitations. Contact Vertiv™ more information.

Part Number Description

19" Rack Mount Power Supply Systems	
552908*	Kit, NetSure 211 modular power system, 1 U, 10 GMT position, 19" mounting Includes SCU controller, battery temp comp probe and AC line cords
552909*	Kit, NetSure 211 modular power system, 2 U, 4 CB, 5 GMT position, 19" mounting Includes SCU controller, battery temp comp probe and AC line cords
1R48500*	NetSure 211 rectifier module, 48 VDC , 500 W (up to 65 °C), 120 VAC only (240 VAC optional)

* Rectifiers must be ordered separately.

** Output power derates at higher temperatures.



NetSure 211 – 19" Modular Power System, 1 RU



NetSure 211 – 19" Modular Power System, 2 RU

Fiber Management

This fiber management kit mounts to a back board and provides restraint for a small fiber splice tray only. No slack storage is available inside the Vertiv™ XTE cabinets.

Part Number Description

552899	Kit, fiber management, small splice tray with loose tube storage
--------	--

Forced Air Heater Kits

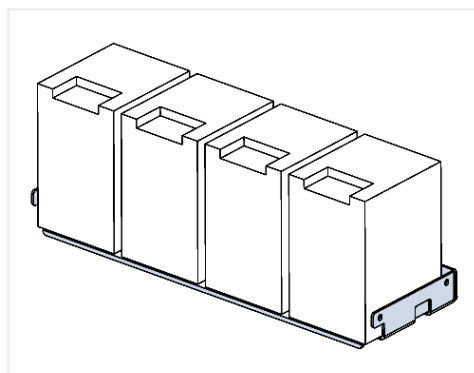
Heater kits mount to a back board and are designed to provide additional heat in the cabinet equipment chamber. Contact Vertiv for available options.

Battery Modules

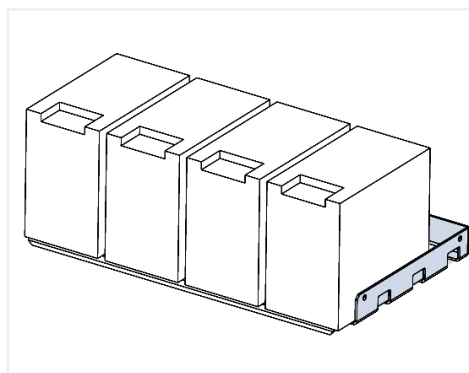
Batteries must be ordered separately, will be shipped separately, and should be mounted on the floor of the cabinet using a universal battery restraint system (p/n 553049L). Order (2) modules for a 24 VDC battery plant and (4) modules for a 48 VDC battery plant. Optional battery cable kits must be specified if using these batteries. Other manufacturers' batteries will fit into the cabinet, but they must be customer supplied.

Part Number	Description	Dimensions	Weight
139093	12.7 Ah, 12 VDC, Eagle Picher, HE-12V12.7FR VRLA, top post battery module	4" H x 4" W x 6" D	10 lbs. (4.4 kg)
524855	30 Ah, 12 VDC, GNB Marathon, M12V30T VRLA, top post battery module	7" H x 5.25" W x 6.75" D	24 lbs. (10.7 kg)
140454	45 Ah, 12 VDC, C&D TEL12-45, VRLA, top post battery module	8" H x 5.5" W x 9" D	41 lbs. (18.5 kg)

NOTE: Not all batteries will mount in all sizes of the Vertiv XTE 401 cabinet. Confirm the batteries will fit before ordering.



7" x 22" Battery Tray Assembly – NxC2410
30 Ah, 48 VDC battery shown for reference



13" x 22" Battery Tray Assembly
– NxC2416 and NxC3816 45 Ah, 48 VDC
battery shown for reference

XTE 401 Ordering Guide

Battery Cable Kits

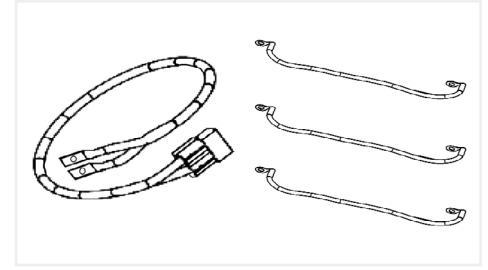
Part Number **Description**

19" Rack Mounted Power Systems

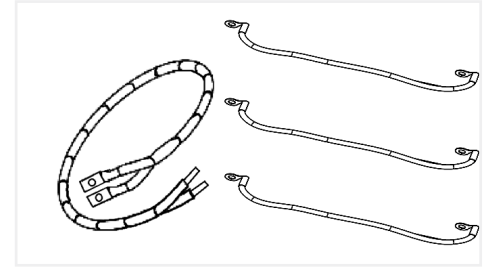
554699	Kit, 48 VDC, 12 AWG battery cable with intercell cables, NS211 for 12.7 Ah batteries
554697	Kit, 48 VDC, 8 AWG battery cable with intercell cables, NS211 for 30 Ah and 45 Ah batteries

DIN Rail, Back Board Mounted Power Systems

554677	Kit, 24 VDC, 12 AWG battery cable with intercell cables, Traco for 12.7 Ah batteries
554678	Kit, 24 VDC, 12 AWG battery cable with intercell cables, Traco for 30 Ah and 45 Ah batteries
554679	Kit, 48 VDC, 12 AWG battery cable with intercell cables, Traco for 12.7 Ah batteries
554680	Kit, 48 VDC, 12 AWG battery cable with intercell cables, Traco for 30 Ah and 45 Ah batteries



Battery Cable Kit with Intercell Connectors for 19" Rack Mounted Power Systems



Battery Cable Kits with Intercell Connectors for Back Board Mounted Power Systems

Mounting Kits

All mounting kits must be ordered separately and will ship separately.

Part Number	Description	Notes	Fig.
F1010408	Wall Mount Kit Nx2410, Nx2416, Nx3816	Includes (4) mounting brackets and hardware required to mount to cabinet. Does not include hardware required to mount cabinet to wall (customer supplied). Total cabinet weight should not exceed 350 lbs.	Fig. 16
F1010409	Pole Mount Kit Nx2410, Nx2416, Nx3816	Includes (4) mounting brackets, (2) pole mount brackets and hardware required to mount the mounting brackets to the cabinet and to the pole mount brackets. Does not include the hardware required to mount the cabinet to the pole (customer supplied). Total cabinet weight should not to exceed 350 lbs.	Fig. 17
F1010410*	Pad Mount Kit, 6.00" H Nx2410 only	Designed to raise cabinet 6" off concrete pad, providing additional space for cable and/or splice storage. Includes (1) cabinet pad mount base assembly, (1) front panel assembly, (1) rubber isolation mat and hardware required to mount the cabinet onto the pad mount base. Does not include hardware required to mount the cabinet and base assembly to the concrete pad.	Fig. 18
F1010459	Pad Mount Template Assembly 10" Deep	Assists placement of cabinet and conduit into and onto concrete pad. Includes hardware required to bolt cabinet and base assembly to concrete pad.	Fig. 19
F1010411*	Pad Mount Kit, 6.00" H Nx2416 & Nx3816 only	Designed to raise cabinet 6" off concrete pad, providing additional space for cable and/or splice storage. Includes (1) cabinet pad mount base assembly, (1) front panel assembly, (1) rubber isolation mat and hardware required to mount the cabinet onto the pad mount base. Does not include hardware required to mount the cabinet and base assembly to the concrete pad.	Fig. 20
F1010460	Pad Mount Template Assembly 16" Deep	Assists placement of cabinet and conduit into and onto concrete pad. Includes hardware required to bolt cabinet and base assembly to concrete pad.	Fig. 21
F1010505	Stake Mount Kit, 6.00" H Nx2410 only	Designed to raise cabinet 6" off the ground. In this application, the space under the cabinet is not recommended for cable and/or splice storage. Includes (1) base assembly, (1) front panel assembly, (2) 42" long galvanized steel mounting stakes and hardware required to mount the cabinet to the base and the base to the steel stakes.	Fig. 22
F1010506	Stake Mount Kit, 6.00" H Nx2416 & Nx3816 only	Designed to raise cabinet 6" off the ground. In this application the space under the cabinet is not recommended for cable and/or splice storage. Includes (1) base assembly, (1) front panel assembly, (2) 42" long, galvanized steel mounting stakes and hardware required to mount the cabinet to the base and the base to the steel stakes.	Fig. 23

* Vertiv™ XTE 401 cabinets can be pad mounted directly to a concrete pad without the Pad Mount Kit.

Mounting Kits (continued)

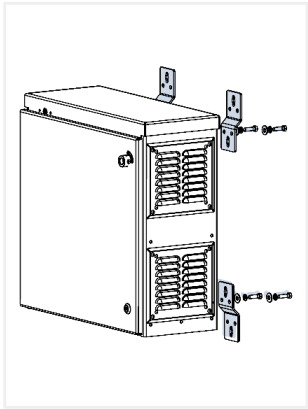


Fig. 16)
Wall Mount Kit

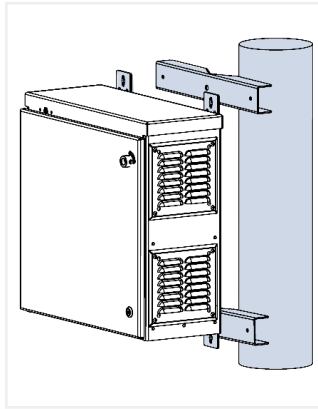


Fig. 17)
Pole Mount Kit

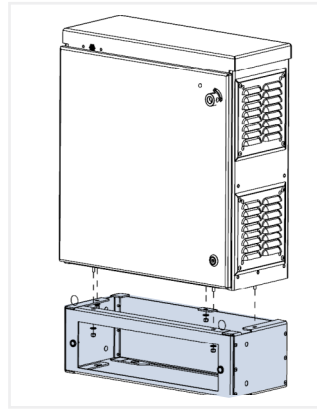


Fig. 18)
10" Pad Mount Kit

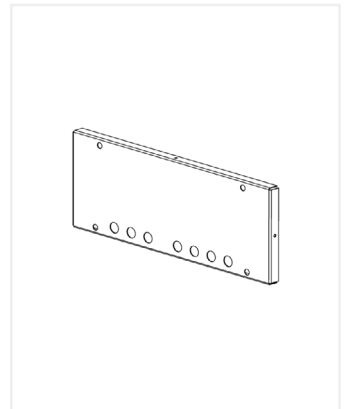


Fig. 19)
10" Pad Mount Template

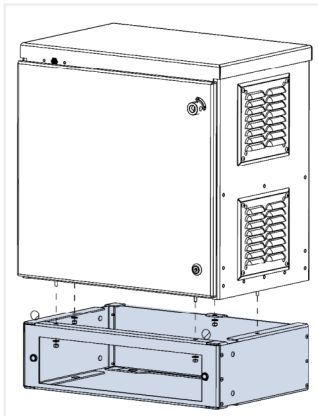


Fig. 20)
16" Pad Mount Kit

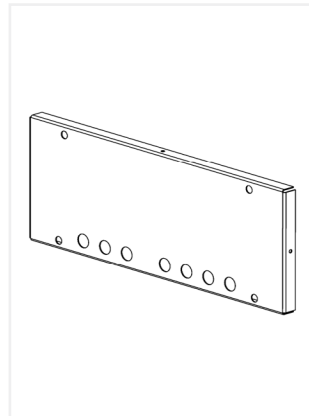


Fig. 21)
16" Pad Mount Kit

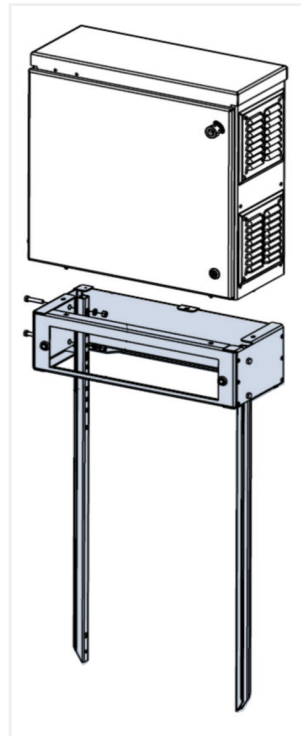


Fig. 22)
10" Stake Mount Kit

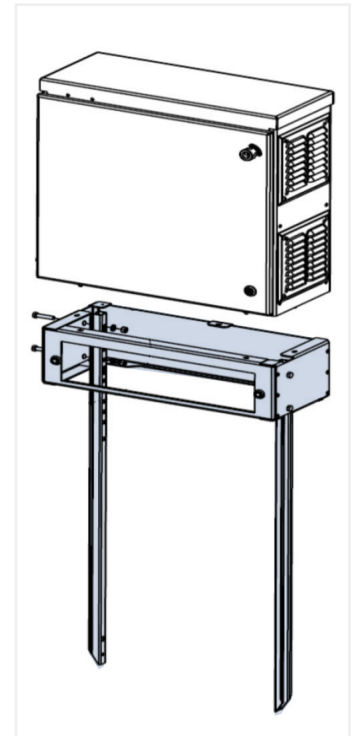


Fig. 23)
16" Stake Mount Kit

Contact your local sales representative with questions or call 1-800-800-1280 for support.



Vertiv.com | Vertiv Headquarters, 1050 Dearborn Drive, Columbus, OH, 43085, USA

© 2020 Vertiv Group Corp. All rights reserved. Vertiv™ and the Vertiv logo are trademarks or registered trademarks of Vertiv Group Corp. All other names and logos referred to are trade names, trademarks or registered trademarks of their respective owners. While every precaution has been taken to ensure accuracy and completeness here, Vertiv Group Corp. assumes no responsibility, and disclaims all liability, for damages resulting from use of this information or for any errors or omissions. Specifications, rebates and other promotional offers are subject to change at Vertiv's sole discretion upon notice.