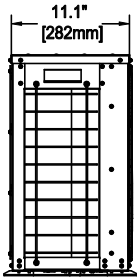
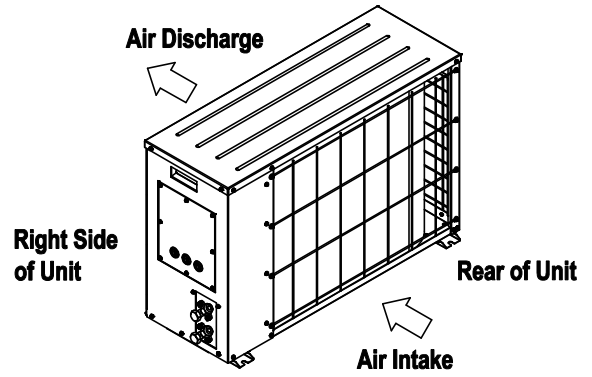
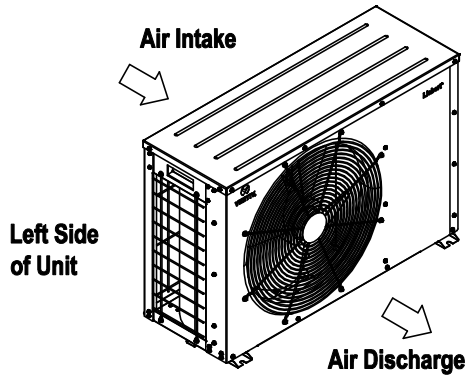
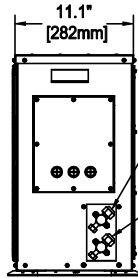


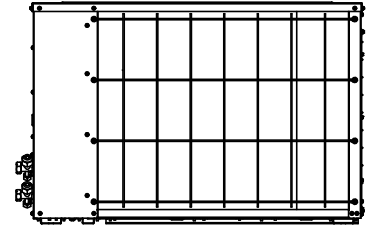
VRC DIMENSIONAL DATA



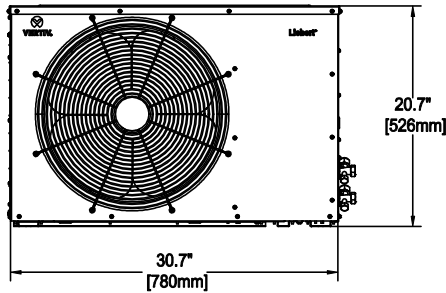
Left Side of Unit



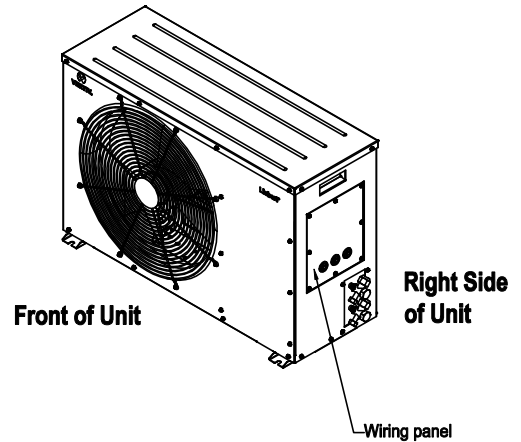
Right Side of Unit



Rear Side of Unit



Front of Unit



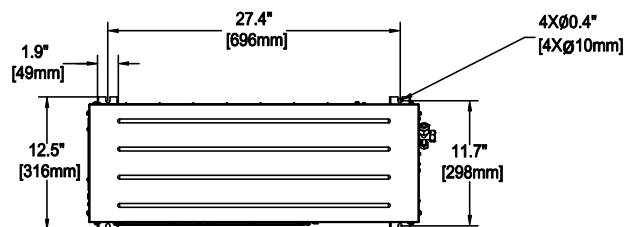
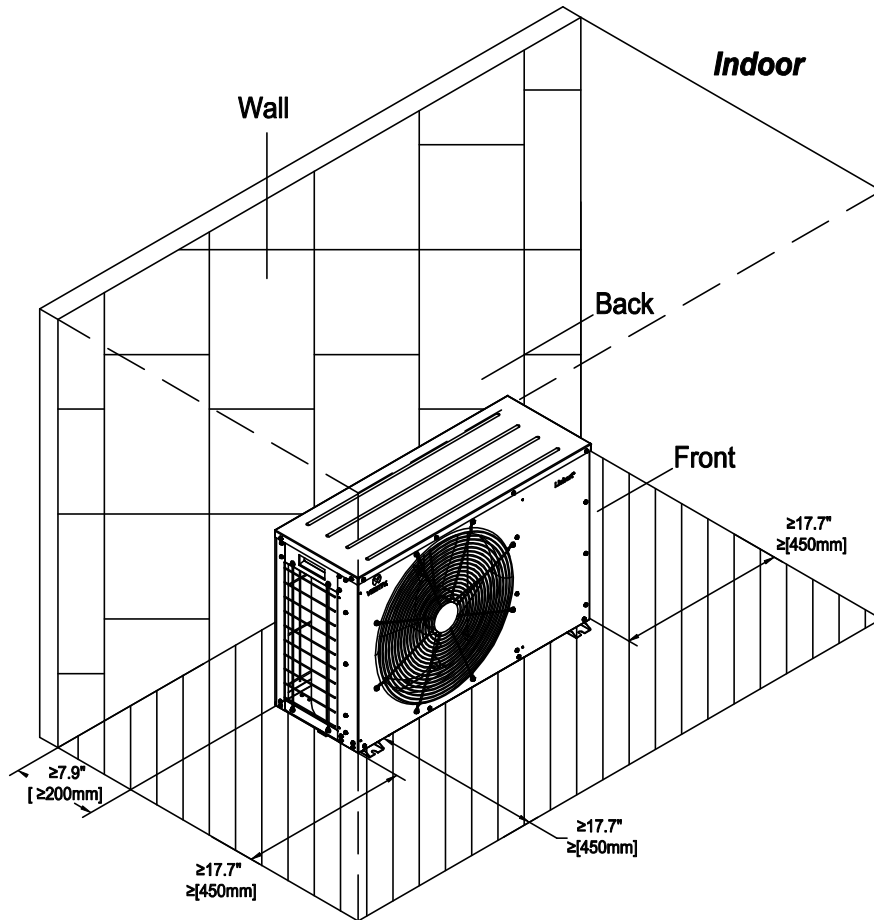
MODEL #	MODULE WEIGHT
60 HZ	lbs. (kg) net
VRC300/301/302	97(44)



LIEBERT VRC300/301/302

CLEARANCE SPACE

Standard outdoor unit

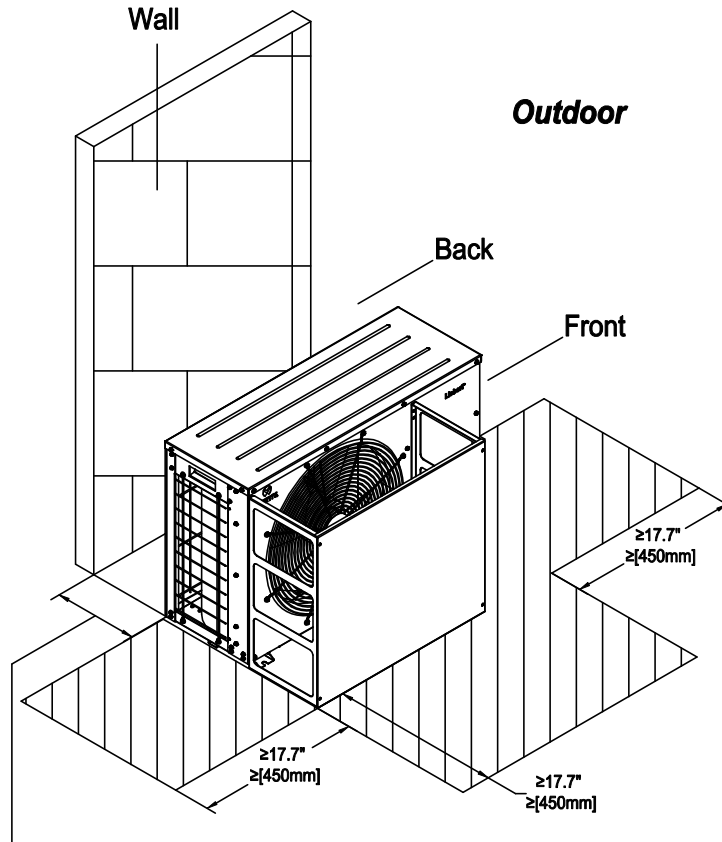


Top of Unit

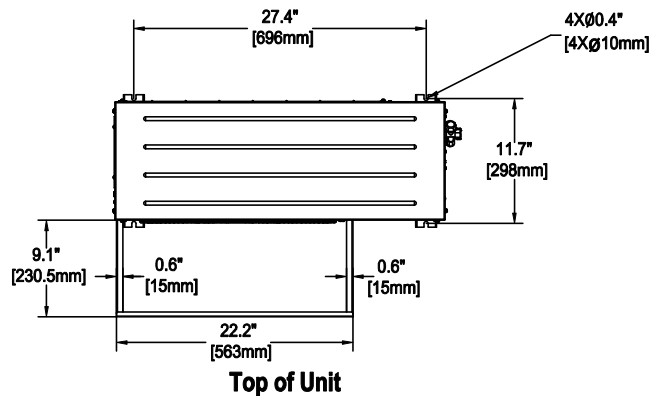
NOTES: When VRC30X standard unit is installed in *indoor* environment, it is not necessary to install the air deflector.

CLEARANCE SPACE

Standard outdoor unit + air deflector



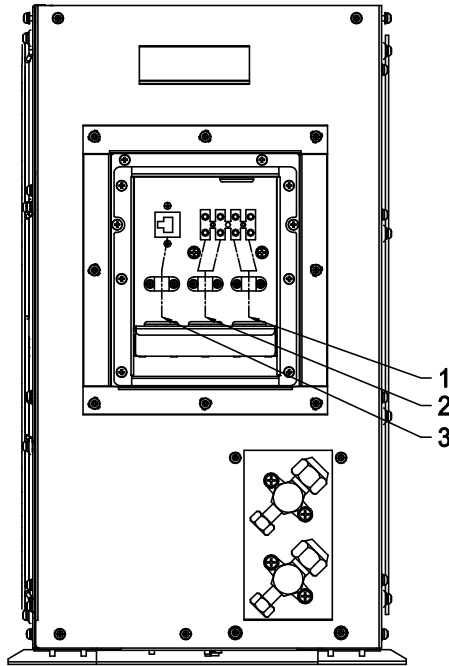
▲ Recommended clearance when installing air deflector = 7.9" [200mm]



NOTES: When VRC30X standard unit is installed in **outdoor** environment, the air deflector need to be installed.

▲ Recommended clearance against wall = 7.9" [200mm]

ELECTRICAL FIELD CONNECTIONS



Right side of Unit [Panels removed for clarity]

No.	Name	Description
1	Outdoor Fan Power	Outdoor fan power supply from indoor unit
2	Power Line	Power input
3	Compressor Communication	Compressor communication from indoor unit