



Vertiv™ DCE Rack Systems

Selection Guide



VERTIV™ DCE RACK

Optimized Design, Optimized Delivery, Optimized Value

The Vertiv™ DCE Rack System has been designed to meet the flexibility, ease of installation, and delivery requirements needed by today's data centers. The flexibility, airflow options, and cable management options help create the most efficient and optimal rack system. Choose from either the preconfigured rack selections or choose from our numerous factory installed accessories and configurations to customize your rack the way you need it, when you need it.



Flexibility:

- Available in 19 standard sizes. Compatible with Vertiv™ Rack PDUs, Vertiv™ Liebert® rackmount UPS, Aisle Containment.
- Factory installation of rack PDUs for fast deployment
- Static load capacity up to 4000 lbs./ (1814 kg.)
- Simple integration of power, cooling and monitoring equipment

Airflow Management:

- 77% front and rear door perforation provides maximum airflow to internal equipment
- Optional chimney and fan tray to direct exhaust out the top of the rack and into the CRAC
- Vertical Airflow Brush Kit mounts to the outside edge of the 19" rail and extends to the plane of the side panel; prevents air recirculation around the rails in the front of the rack
- A variety of blanking panels to fill empty U space and prevent bypass airflow

Cable Management:

- Accessory Mounting Holes (AMH) allow mounting of fingers and tool-less lobster claws along the 19" rails without taking up U space
- An adjustable internal front-to-rear cable trough aligns with 19" rail cable pass-through cut-outs to easily route cables (for 700/800mm W racks)
- Mounting pattern on top of the rack accepts overhead cable options including top panel mount and ladder rack support brackets
- Rack comes standard with one full height PDU/Cable Management Bracket per side; accepts tool-less lobster claws and velcro straps; brackets accept various height PDUs that can be button mounted; additional brackets can be installed (depending on rail placement)

Efficiency:

- Easy installation saves time and money: tool-less removable doors, dual side panels, 19" rail adjustment, U marking on front and rear of each rail, low profile casters, tool-less accessories
- Fast on-site deployment allows immediate integration of server and network equipment
- Integral part of the total data center; solutions from Vertiv save time and money on configuration and integrations

VERTIV™ DCE RACK



Integrated Vertical Cable Trough

Rail design features an integrated vertical cable trough along the full height of the rail; trough features obrounds for securing cable and cut-outs for cable pass trough



Welded Steel Construction

Welded 12 ga. steel frame—folded 5 times—provides a sturdy rack that easily supports a static load of 4000 lbs. and dynamic of 2500 lbs.



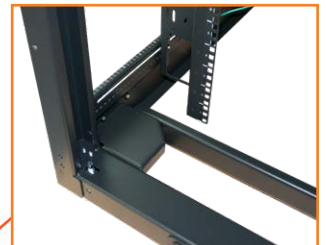
Vertical Airflow Brush Kit

Optional kit mounts to the rail to prevent air recirculation. Additional airflow accessories available



Accessory Mounting Holes (AMH)

AMH is a series of holes along each 19" rail that falls outside of the mounting pattern; AMH allows installation of a number of optional accessories, including cable management fingers and tool-less lobster claws/Velcro straps



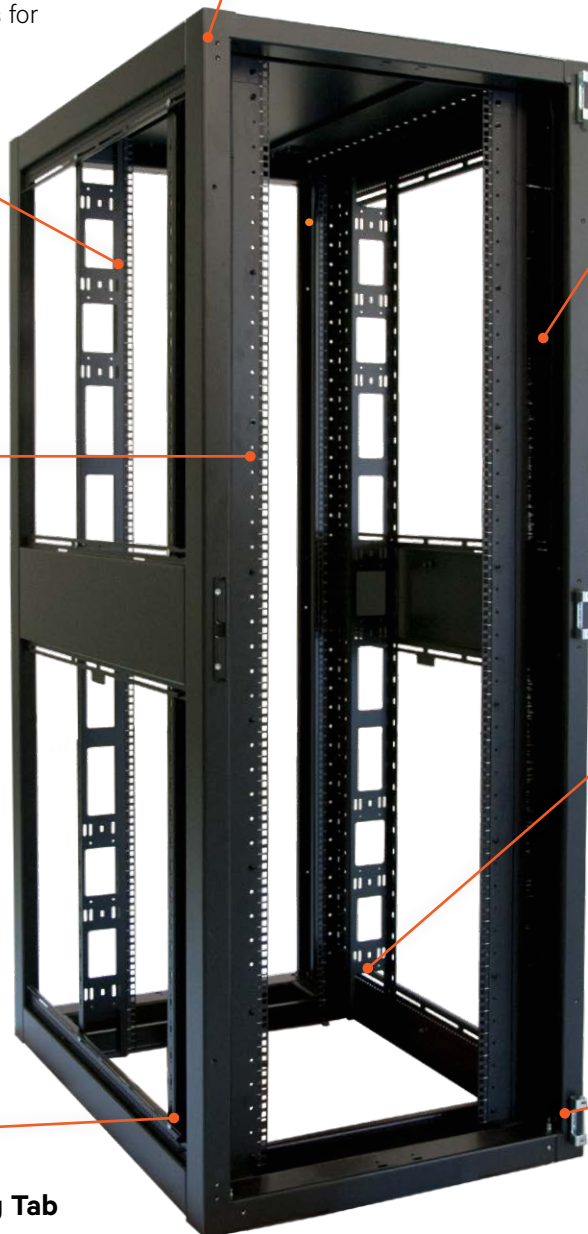
19" Rails

2 pair of full height 12 ga., M6 rails, folded 3 times for maximum rigidity; U markings on the front and rear of each rail; depth markings along rack horizontals ensure accurate rail placement of all rails



Rail Locking Tab

Tab ensures positive rail placement especially when shipping the rack with equipment installed



Doors and side panels removed for clarity.



Top Adjustable Leveler

Unobstructed access to the top of the levelers from inside of the rack allow quick and easy adjustments

VERTIV™ DCE RACK

Vertiv™ DCE Complete Rack

Part Number	U	Height (mm)	Width (mm)	Depth (mm)
E24611	24	1176 (46.3")	600 (23.6")	1100 (43.3")
E42611	42	2000 (78.1")	600 (23.6")	1100 (43.3")
E42612	42	2000 (78.1")	600 (23.3")	1200 (47.3")
E42711	42	2000 (78.1")	700 (27.6")	1100 (43.3")
E42712	42	2000 (78.1")	700 (27.6")	1200 (47.3")
E42811	42	2000 (78.1")	800 (31.4")	1100 (43.3")
E42812	42	2000 (78.1")	800 (31.4")	1200 (47.3")
E45611	45	2136 (84.1")	600 (23.3")	1100 (43.3")
E45612	45	2136 (84.1")	600 (23.3")	1200 (47.3")
E45711	45	2136 (84.1")	700 (27.6")	1100 (43.3")
E45712	45	2136 (84.1")	700 (27.6")	1200 (47.3")
E45811	45	2136 (84.1")	800 (31.4")	1100 (43.3")
E45812	45	2136 (84.1")	800 (31.4")	1200 (47.3")
E48611	48	2269 (88.6")	600 (23.3")	1100 (43.3")
E48612	48	2269 (88.6")	600 (23.3")	1200 (47.3")
E48711	48	2269 (88.6")	700 (27.6")	1100 (43.3")
E48712	48	2269 (88.6")	700 (27.6")	1200 (47.3")
E48811	48	2269 (88.6")	800 (31.4")	1100 (43.3")
E48812	48	2269 (88.6")	800 (31.4")	1200 (47.3")

Features

Frame

Welded 12 ga. steel frame to support 4000 lb. static weight load, 2500 lb. dynamic load

Easy external clustering

Leveling feet incorporated into frame for easy adjustment

Optional casters available

Doors & Side Panels

16 ga. single perforated front door and split rear doors are standard; doors rest on 3 hinges

Locking handles on all doors

Tool-less removable doors, field reversible for left or right hand swing

77% Perforation on doors

Single solid and split solid door available

Split locking, 16 ga. side panels for easy installation and handling

Optional cable pass through side panels available

Top Panel

Removable 16 ga. top panel allows for customized top panels for cable entry or chimney roofs to be applied without having to change the entire rack

Cutout provided for optional top panel fan installation

Integrated hole pattern for easy installation of top panel accessories (cable management, modular busway support brackets, ladder/cable tray support brackets)

19" Rails

(2) Pair of full height 12 ga., M6 rails, folded 3-times; U markings on front and rear of each rail

Depth markings included on frame for easy alignment

Accessory mounting holes (AMH) along rails allow mounting of cable management fingers and tool-less lobster claws/velcro straps

Rectangular cutouts for routing cable through rails

Infinitely depth adjustable within the usable space

Complete Rack Includes:

- Single perforated locking front door
- Split perforated locking rear doors
- 2 pair split locking side panels*
- High density cable entry top cover (2500+ Cat 5 cables)
- 2 sets of 19" EIA Rails
- 2 Full height rack PDU Mounting / cable management brackets (one per side)
- Low profile casters and leveling feet
- Baying brackets
- Bolt down brackets
- Mounting Hardware (includes 50 each M6 cage nuts, washers, and screws; installation tool)
- Keys

*24U racks have single side panels

PDU/Cable Management Bracket

Button Mount keyholes throughout to accommodate tool-less button mounting of rack PDUs of various height

AMH profile to accept tool-less lobster claws and velcro straps

Racks come standard with one bracket per side; additional brackets can be added (depending on rail placement)

Color

Frame, doors, side panels, top panel, rails, and PDU brackets are powder coated RAL7021 (Black), available in RAL 7035 (Light Grey) upon request

Certifications

EIA310E

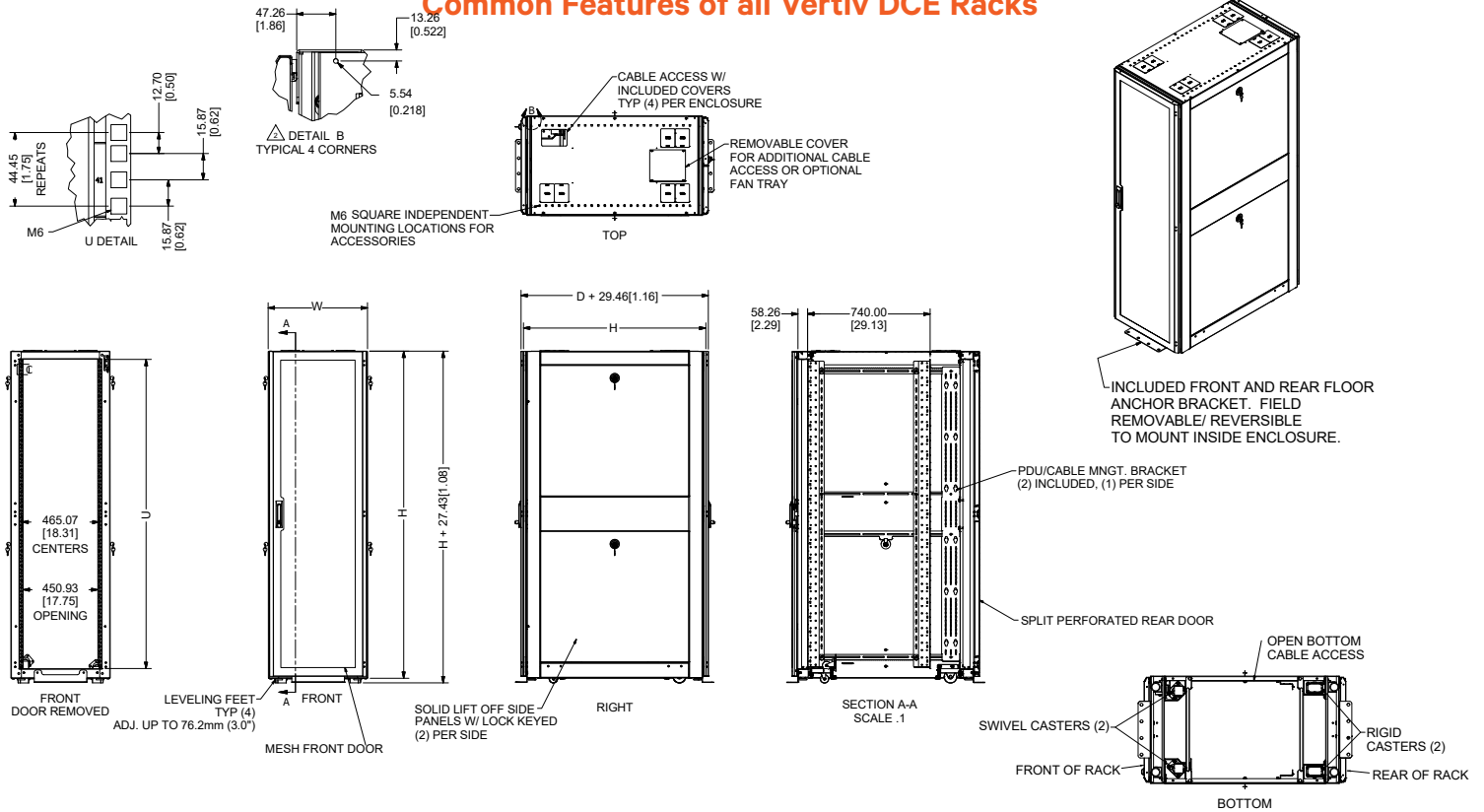
UL2416

BAA-TAA

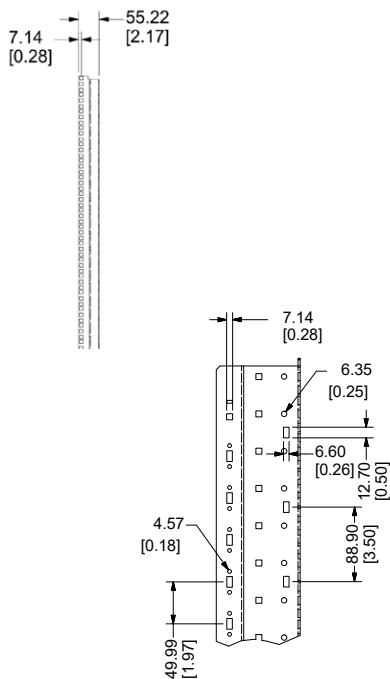
IBC2012

VERTIV™ DCE RACK

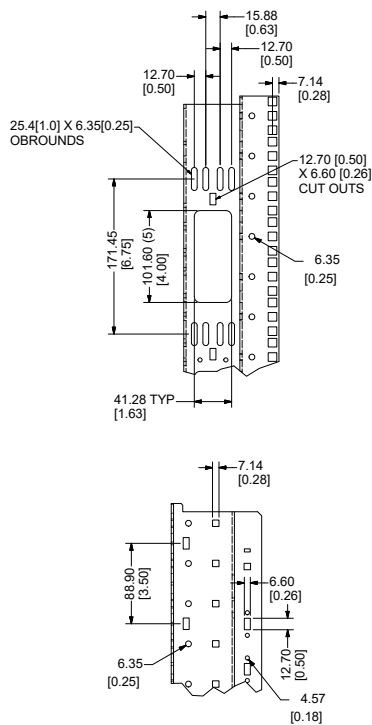
Common Features of all Vertiv DCE Racks



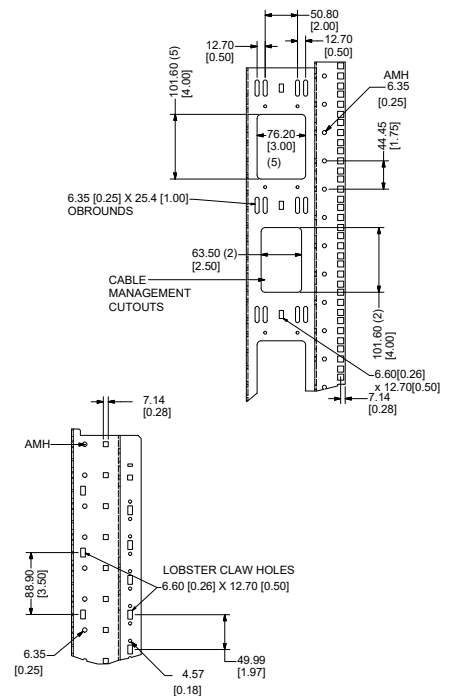
19" Rail, 600mmW Rack



19" Rail, 700mmW Rack



19" Rail, 800mmW Rack



COLO RACK

Vertiv™ DCE 2 Compartment CoLo

Part number	U	Height (mm)	Width (mm)	Depth (mm)
DCE426112DR	20 per compartment	2000 (78.1")	600 (23.6")	1100 (43.3")



Complete Rack includes:

- Front and rear perforated doors
- Combination lock handles front and rear
- (2) 20U separate compartments with solid divider
- 2 pair split locking side panels
- High density cable entry top cover (2500+ Cat 5 cables)
- 2 sets of 19" EIA rails per compartment
- Divider has provisions for secure cable troughs to carry cable between the compartments
- Troughs restrict access to the cable passing through the compartments, or through top or bottom
- PDU/Cable management bracket included in each compartment
- Low profile casters and leveling feet
- Sealed bottom with front and rear brush cable openings
- Top cable openings for trough and power access
- Bolt down brackets
- Mounting Hardware (includes 50 each M6 cage nuts, washers, and screws; installation tool)
- Keys

VERTIV™ DCE 1000mm NETWORK RACK

Vertiv™ DCE 1000mm Network Rack

Part number	U	Height (mm)	Width (mm)	Depth (mm)
E42112	42	2000 (78.1")	1000 (39.3")	1200 (47.3")
E45112	45	2136 (84.1")	1000 (39.3")	1200 (47.3")
E48112	48	2269 (88.6")	1000 (39.3")	1200 (47.3")

Complete Rack includes:

- Split front and rear perforated locking doors
- 2 pair split locking side panels
- High density cable entry top cover (2500+ Cat 5 cables)
- 2 sets of 19" EIA Rails
- 2 Full height rack PDU Mounting / cable management brackets
- Low profile casters and leveling feet
- Baying brackets
- When large network switches are installed, use optional air diverters to create optimal airflow
- Additional airflow and cable management available
- Bolt down brackets
- Mounting Hardware (includes 50 each M6 cage nuts, washers, and screws; installation tool)
- Keys



AIRFLOW MANAGEMENT



Air Diverter for IT Switch

Air Diverters create a proper airflow path for side breathing switches in racks that are arranged in a hot aisle/cold aisle configuration. Cold aisle air is directed to the intakes of the equipment, and exhaust is diverted to the rear of the rack. Consult your switch manufacturer's airflow specifications before installation. All air diverters are for installation in 800mmW racks, except where noted.

Part number	Description	Vertiv™ DCE
546659G1L	4U Air Diverter for 6503 switch	
546659G2L	12U Air Diverter for 6506 switch	
546659G3L	15U Air Diverter for 6509, 9509, and 9513 switches	
546629G4L	21U Air Diverter for 6513 switch	
E6503014	4U Air Diverter for 6503 switch	
E6506014	11U Air Diverter for 6506 switch	•
E9513014	14U Air Diverter for 6509, 9509, and 9513 switches	•
E6513014	19U Air Diverter for 6513 switch	•
E7009014	Air Diverter for 7009 switch, for use in 1000mmW rack	•
E7018014	Air Diverter for 7018 switch, for use in 1000mmW rack	•



Fans for Top Panel

Fans for Top Panel

Part number	Description	Vertiv DCE
163796G1L	Top Panel Fan, 120V, 235 CFM, Cord length 15 ft., plug type 5-15P, exterior mount	
163796G3L	Top Panel Fan, 120V, 235 CFM, Cord length 15 ft., plug type 5-15P, exterior mount	
ETPF110014	Top Panel Fan, 110V, 300CFM, Cord length 6 ft, plug type 5-15P, interior mount	•
ETPF230014	Top Panel Fan, 230V, 300CFM, Cord length 6 ft, plug type IEC 320-C14, interior mount	•

Blanking Panel

Blanking panels effectively promote airflow management by sealing off the unused U space, providing greater isolation of conditioned air and exhaust air inside of the rack.



Part number	Description	Vertiv DCE
010200087	1U Plastic Tool-Less Blanking Panels, black, pack of 10	•
010200088	2U Plastic Tool-Less Blanking Panels, black, pack of 5	•
542190G1L	1U Metal Blanking Panel with Brush Strip, black, pack of 2; allows cable pass through while still maintaining air segregation inside of the rack	•

AIRFLOW MANAGEMENT



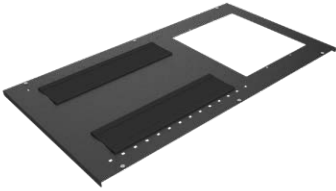
Chimney

Chimneys direct hot exhaust from the rack to a plenum directly back to the CRAC. Doing so provides a higher return air temperature back to the CRAC, thus providing higher efficiency.

Part number	Description	Vertiv™ DCE
E1832014	18-32" Height adjustable chimney, 23 7/8"W x 14 5/16"D	•
E2346014	32-46" Height adjustable chimney, 23 7/8"W x 14 5/16"D	•

Chimney Top Panels

For use with height adjustable chimney; for a successful chimney application, bottom panels and solid doors on the rear of the rack are to be used.



Part number	Description	Vertiv DCE
E611010	Chimney Top Panel for 600mmW x 1100mmD rack	•
E612010	Chimney Top Panel for 600mmW x 1200mmD rack	•
E711010	Chimney Top Panel for 700mmW x 1100mmD rack	•
E712010	Chimney Top Panel for 700mmW x 1200mmD rack	•
E811010	Chimney Top Panel for 800mmW x 1100mmD rack	•
E812010	Chimney Top Panel for 800mmW x 1200mmD rack	•
E112010	Chimney Top Panel for 1000mmW x 1200mmD rack	•

Bottom Panels

Bottom panels are used to fill the bottom of the rack for greater air isolation.



Part number	Description	Vertiv DCE
EB611010	Bottom Panel for 600mmW x 1100mmD rack	•
EB612010	Bottom Panel for 600mmW x 1200mmD rack	•
EB711010	Bottom Panel for 700mmW x 1100mmD rack	•
EB712010	Bottom Panel for 700mmW x 1200mmD rack	•
EB811010	Bottom Panel for 800mmW x 1100mmD rack	•
EB812010	Bottom Panel for 800mmW x 1200mmD rack	•
EB112010	Bottom Panel for 1000mmW x 1200mmD rack	•

Top Panel Covers

Top Panel Covers fill the cable entry holes on the top panel so that proper airflow is maintained within the rack.

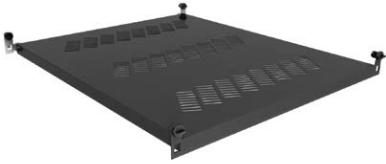


Brush for Top Panel

Grommet for Top Panel

Part number	Description	Vertiv DCE
EBKR014	Brush Kit for Top Panel, includes 8 pieces	•
546061G1L	Grommet Kit for Top Panel; includes 8 pieces	•

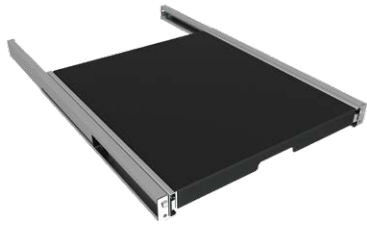
SHELVES AND SUPPORT BRACKETS



19" Fixed Tool-less Shelf

The 19" Fixed Tool-less shelf can be used for non 19" rack mount equipment or as additional support for 19" rack mount equipment. The shelves have an adjustable installation depth from 23.5" (570mm) to 46" (1168mm); Surface area 17.25" (438mm)W x 23.5" (570mm)D, Color: Black

Part number	Description	Vertiv™ DCE
002185000	19" Fixed Tool-less Shelf; 275 lb. load rating	•



19" Telescopic Shelf

The 19" Telescopic Shelf utilizes high quality bearing slide rails to provide smooth and convenient action. Depth adjustability range is from 22.3" (566mm) to 46.0" (1168mm). Shelf Surface area 16.7" (425mm)W x 19.7" (500mm)D, Color: Black

Part number	Description	Vertiv DCE
535809G1	19" Telescopic Shelf; 110 lb. load rating	•



"L" Shaped Depth Adjustable Support Rails

When additional support is needed for heavy loads, our support rails provide a suitable option. Depth Adjustable to 29.5" (750mm), the rails mount into the 19" rail side flanges and can support loads up to 110lbs (50kg)

Part number	Description	Vertiv DCE
542777G1L	Depth Adjustable Support Rails, 110 lb. load rating	•



RPCBDM Bracket

Bracket attaches to the perforated door and holds the RPCBDM display so it can be viewed without having to open the rack doors.

Part number	Description	Vertiv DCE
538619G1L	RPCBDM Bracket to mount BDM display to perforated door	•



XDV Mounting Bracket

Allows the XDV product line to be mounted properly on top of the rack.

Part number	Description	Vertiv DCE
546080G1L	XDV Mounting Bracket for 600mmW rack	•
546079G1L	XDV Mounting Bracket for 800mmW rack	•

CABLE MANAGEMENT

19" Cable Routing Panel with D Rings



19" rack mounted cable routing panel with D rings provide the solution to those loose cables in the front or rear of your rack. Panels available in 1U height.

Part number	Description	Vertiv™ DCE
ECRP015	19" Cable Routing Panel with D rings	•

1U Metal Blanking panel with Brush Strip



1U Metal Blanking Panel with Brush Strip, black, pack of 2; allows cable pass through while still maintaining air segregation inside of the rack

Part number	Description	Vertiv DCE
542190G1L	1U Metal Blanking Panel with Brush	•

Horizontal Cable Manager



19" Horizontal Cable Manager Mounts on the EIA rails to easily manage cables.

Part number	Description	Vertiv DCE
548784P1	19", 1U Horizontal Cable Manager	•
548785P1	19", 2U Horizontal Cable Manager	•

19" Cable Trough



19" 1U rack mount cable trough that mounts on the EIA rails for effective horizontal routing of cables.

Part number	Description	Vertiv DCE
ECT015	19" Cable Trough	•

Tool-Less Cable Management: Lobster Claw



1/4 Turn tool-less cable management Lobster Claw offers the ultimate in flexibility in cable management for moves, adds, and changes. Lobster claws install on 19" vertical mounting rails without taking up U space. Claw can also be installed on PDU/Cable Management rails. Color: Black

Part number	Description	Vertiv DCE
002185050	Pack of 10 Lobster Claws	•
002185070	Pack of 100 Lobster Claws	•

CABLE MANAGEMENT



Tool-Less Cable Management: Velcro Strap

1/4 Turn tool-less cable management piece offers the ultimate in flexibility in cable management. These can be installed on the outside edge of the 19" rail or on the PDU/ Cable Management rail. Color: Black

Part number	Description	Vertiv™ DCE
002185060	Pack of 10 Velcro Straps	•
002185080	Pack of 100 Velcro Straps	•



Overhead Cable Trough

Facilitates overhead cabling to allow for the flow of cable in and out of the rack and down the width of the row. Attaches directly to top of rack. Color: Black

Part number	Description	Vertiv DCE
E6016	Overhead Cable Trough for 600mmW rack	•
E7016	Overhead Cable Trough for 700mmW rack	•
E8016	Overhead Cable Trough for 800mmW rack	•
E1016	Overhead Cable Trough for 1000mmW rack	•



Top Panel Mount Ladder Rack Support Bracket

Ladder Rack Support Brackets provides a convenient way to support ladder rack or cable tray up to 24" wide on top of the rack without suspending from the ceiling. Height adjustable from 6.5"(165mm) to 11.5"(292mm). Load Rating 100 lbs. Color: Black

Part number	Description	Vertiv DCE
ELRB016	Ladder Rack Support Bracket, height adjustable (1 bracket)	•



Front to Rear Cable Trough

Front to Rear Cable Troughs manage cables from the front to rear of racks. Depth adjustability allows for installation in racks with different rail spacing. Color: Black

Part number	Description	Vertiv DCE
E811015	Front to Rear Cable Trough for 800mmW x 1100mmD rack	•
E812015	Front to Rear Cable Trough for 800mmW x 1200mmD rack	•
E112015	Front to Rear Cable Trough for 1000mmW x 1200mmD rack	•

CABLE MANAGEMENT

Front to Rear Lacing Bar



Front to Rear Lacing Bars provide a cost effective way to route small cable bundles from the front to the rear of the racks. Lacing Bars feature cable tie off slots and the quarter turn hole pattern to utilize tool-less lobster claws or velcro straps. Color: Black

Part number	Description	Vertiv™ DCE
E11015	Front to Rear Lacing Bar for 1100mmD rack	•
E12015	Front to Rear Lacing Bar for 1200mmD rack	•

Vertical Cable Management Kit



Vertical Cable Finger Sections can be installed on front or rear 19" rails; Fingers align with "U" marking to create clean cable pathways, providing a vertical row of cable management fingers. Color: Black

Part number	Description	Vertiv DCE
E7015	Vertical Cable Management Rail Kit; one, 7U cable finger section; for use in 700/800mmW rack	•
E846015	Vertical Cable Management Rail Kit; twelve, 7U cable finger sections; for 600mmW rack	•
E84015	Vertical Cable Management Rail Kit; twelve, 7U cable finger sections; for 700/800mmW rack	•

Full Height PDU/Cable Management Bracket



Standard Vertiv DCE racks come with two Full height PDU/Cable Management Brackets (one per side) installed. When 1200mmD Vertiv DCE rails are set at factory spacing of 740mm, two brackets per side can be installed. Actual number of brackets that can be installed depend on rail placement and rack depth. Brackets are compatible with tool-less lobster claws, velcro straps, and accommodate button mount PDU installation. Color: Black

Part number	Description	Vertiv DCE
546076G1L	4"W, PDU/Cable Mgmt. Bracket (qty. 1)	
546077G1L	4"W, PDU/Cable Mgmt. Bracket (qty. 1)	
E24012	4"W, PDU/Cable Mgmt. Brackets (qty. 2)	•
E42012	4"W, PDU/Cable Mgmt. Brackets (qty. 2)	•
E45012	4"W, PDU/Cable Mgmt. Brackets (qty. 2)	•
E48012	4"W, PDU/Cable Mgmt. Brackets (qty. 2)	•

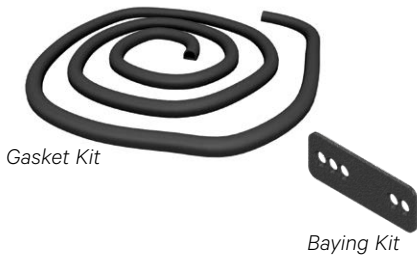
ADDITIONAL ACCESSORIES



Handle Options

Interchange rack handles for various degrees of security.

Part number	Description	Vertiv™ DCE
E10013	Standard Key Lock Handle, Keyed 1333	•
E11013	Combination Lock Handle	•
E12013	Key Set, for standard key lock handle and side panels, Keyed 1333 (qty. 4)	•



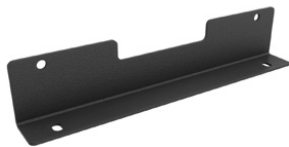
Gasket Kit

Baying Kit

Baying Hardware and Gasket Kits

Baying Hardware Kits come standard with every Vertiv DCE rack. Additional kits may be purchased if the original brackets have been misplaced. When baying racks together on 24-in. centers, use a Baying Gasket Kit to seal the gap between the racks to maintain proper air circulation.

Part number	Description	Vertiv DCE
E9013	Baying Kit, includes 4 brackets	•
546078G1L	Baying Gasket Kit	•



Bolt Down Brackets

Bolt Down Brackets are used to secure rack to data center floor when anti-tip is required. Brackets are included with shipment of rack. Additional brackets can be ordered.

Part number	Description	Vertiv DCE
546268G1L	Bolt Down Brackets; set of 2	
E2013	Bolt Down Kit internal/external; for use when casters are not installed	•
E1013	Bolt Down Kit internal/external; for use when casters are installed	•



23" EIA Rail Spacing Kit

Kit allows the EIA rails on an 800mmW rack to be adjusted to 23" spacing in lieu of the standard 19" rail placement.

Part number	Description	Vertiv DCE
548649G1L	23" EIA Rail Spacing Kit for 800mmW rack	•

ADDITIONAL ACCESSORIES

Casters



Vertiv DCE caster kits include 2 front swivel casters and 2 rear fixed casters.

Part number	Description	Vertiv™ DCE
E67013	Caster Kit 600mmW DCE rack	•
E77013	Caster Kit 700mmW DCE rack	•
E87013	Caster Kit 800mmW DCE rack	•
E17013	Caster Kit 1000mmW DCE rack	•

Leveling Feet



Vertiv DCE ship standard with leveling feet installed. Replacement leveling feet can be ordered if needed. Adjustable up to 3" (76.2mm).

Part number	Description	Vertiv DCE
E5013	Leveling Feet; set of 4	•
546494G1L	Leveling Feet; set of 4	•



Anchoring Kit

Anchoring Kit helps secure racks to the floor. Local building codes may apply.

Part number	Description	Vertiv DCE
548233G1L	Anchoring Kit	•
E26013	Anchoring Kit for 600mmW rack, Internal; for use when casters are not installed	•
E27013	Anchoring Kit for 700mmW rack, Internal; for use when casters are not installed	•
E28013	Anchoring Kit for 800mmW rack, Internal; for use when casters are not installed	•
E36013	Anchoring Kit for 600mmW rack, External; for use when casters are installed	•
E37013	Anchoring Kit for 700mmW rack, External; for use when casters are installed	•
E38013	Anchoring Kit for 800mmW rack, External; for use when casters are installed	•

ADDITIONAL ACCESSORIES



Mounting Hardware

One set included with each rack. Includes 50 each M6 cage nuts and plastic cup washers with matching screws. Includes T30 torx driver and Phillips head driver, one cage nut installation/removal tool. Additional packs of hardware can be ordered if needed.

Part number	Description	Vertiv™ DCE
E6013	Mounting Hardware; includes 50 each M6 cage nuts, plastic washers, and screws; T30 torx driver and Phillips head driver	•



Isolated Copper Bus Bars

Copper bus bars are vertical (except where noted) and install along 19" rail; used for proper grounding of equipment.

Part number	Description	Vertiv DCE
E19017	19" Copper Bus Bar	•
E24017	Copper Bus Bar for 24U DCE rack	•
E42017	Copper Bus Bar for 42U DCE rack	•
E45017	Copper Bus Bar for 45U/48U DCE rack	•

Shock Package

The shock pallet accommodates Vertiv DCE racks that are 600mm, 700mm, 800mm in width, and 1100mm, or 1200mm in depth. Maximum weight load is 2000 lbs which includes the weight of the rack. Tested to ISTA 3B. Ramps are ordered separately.

Part number	Description	Vertiv DCE
E2000SP	Shock Pallet	•
E2000SPR	Ramps, Qty. 2	•

MOUNTING RAILS

19" Mounting Rails



19", M6 mounting rails for Vertiv DCE racks (pictured) feature accessory mounting holes, rectangular cable pass through cutouts, and obrounds.

Each part number consists of 2 rails.

Part number	Description	Vertiv™ DCE
E246011	19" Rails for 24U x 600mmW rack	•
E426011	19" Rails for 42U x 600mmW rack	•
E427011	19" Rails for 42U x 700mmW rack	•
E428011	19" Rails for 42U x 800mmW rack	•
E456011	19" Rails for 45U x 600mmW rack	•
E457011	19" Rails for 45U x 700mmW rack	•
E457011	19" Rails for 45U x 800mmW rack	•
E486011	19" Rails for 48U x 600mmW rack	•
E487011	19" Rails for 48U x 700mmW rack	•
E488011	19" Rails for 48U x 800mmW rack	•
E421011	19" Rails for 42U x 1000mmW rack	•
E451011	19" Rails for 45U x 1000mmW rack	•
E481011	19" Rails for 48U x 1000mmW rack	•
546069G11	19" Rails for 42U rack	
546070G1L	19" Rails for 48U rack	

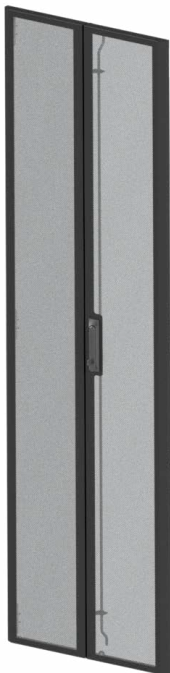
DOORS

Single Perforated Doors



Part number	Description	Vertiv™ DCE
E24602P	Single Perforated Door for 24U x 600mmW rack	•
E42602P	Single Perforated Door for 42U x 600mmW rack	•
E42702P	Single Perforated Door for 42U x 700mmW rack	•
E42802P	Single Perforated Door for 42U x 800mmW rack	•
E45602P	Single Perforated Door for 45U x 600mmW rack	•
E45702P	Single Perforated Door for 45U x 700mmW rack	•
E45802P	Single Perforated Door for 45U x 800mmW rack	•
E48602P	Single Perforated Door for 48U x 600mmW rack	•
E48702P	Single Perforated Door for 48U x 700mmW rack	•
E48802P	Single Perforated Door for 48U x 800mmW rack	•
546053G1L	Single Perforated Curved Door for 42U x 600mmW rack	
546053G2L	Single Perforated Curved Door for 42U x 800mmW rack	
546053G3L	Single Perforated Curved Door for 48U x 600mmW rack	
546053G4L	Single Perforated Curved Door for 48U x 800mmW rack	

Split Perforated Doors



Part number	Description	Vertiv DCE
E24603P	Split Perforated Doors for 24U x 600mmW rack	•
E42603P	Split Perforated Doors for 42U x 600mmW rack	•
E42703P	Split Perforated Doors for 42U x 700mmW rack	•
E42803P	Split Perforated Doors for 42U x 800mmW rack	•
E45603P	Split Perforated Doors for 45U x 600mmW rack	•
E45703P	Split Perforated Doors for 45U x 700mmW rack	•
E45803P	Split Perforated Doors for 45U x 800mmW rack	•
E48603P	Split Perforated Doors for 48U x 600mmW rack	•
E48703P	Split Perforated Doors for 48U x 700mmW rack	•
E48803P	Split Perforated Doors for 48U x 800mmW rack	•
E42103P	Split Perforated Doors for 42U x 1000mmW rack	•
E451103P	Split Perforated Doors for 45U x 1000mmW rack	•
E48103P	Split Perforated Doors for 48U x 1000mmW rack	•
546054G1L	Split Perforated Doors for 42U x 600mmW rack	
546054G2L	Split Perforated Doors for 42U x 800mmW rack	
546054G3L	Split Perforated Doors for 48U x 600mmW rack	
546054G4L	Split Perforated Doors for 48U x 800mmW rack	

DOORS

Single Solid Door



Vertiv DCE rack doors can be replaced with solid doors when a chimney is used in the rack configuration.

Part number	Description	Vertiv™ DCE
E24604S	Single Solid Door for 24U x 600mmW rack	•
E42604S	Single Solid Door for 42U x 600mmW rack	•
E42704S	Single Solid Door for 42U x 700mmW rack	•
E42804S	Single Solid Door for 42U x 800mmW rack	•
E45604S	Single Solid Door for 45U x 600mmW rack	•
E45704S	Single Solid Door for 45U x 700mmW rack	•
E45804S	Single Solid Door for 45U x 800mmW rack	•
E48604S	Single Solid Door for 48U x 600mmW rack	•
E48704S	Single Solid Door for 48U x 700mmW rack	•
E48804S	Single Solid Door for 48U x 800mmW rack	•

Split Solid Doors



Vertiv DCE rack doors can be replaced with split solid doors when a chimney is used in the rack configuration.

Part number	Description	Vertiv DCE
E42605S	Split Solid Doors for 42U x 600mmW rack	•
E42705S	Split Solid Doors for 42U x 700mmW rack	•
E42805S	Split Solid Doors for 42U x 800mmW rack	•
E45605S	Split Solid Doors for 45U x 600mmW rack	•
E45705S	Split Solid Doors for 45U x 700mmW rack	•
E45805S	Split Solid Doors for 45U x 800mmW rack	•
E48605S	Split Solid Doors for 48U x 600mmW rack	•
E48705S	Split Solid Doors for 48U x 700mmW rack	•
E48805S	Split Solid Doors for 48U x 800mmW rack	•
E42105S	Split Solid Doors for 42U x 1000mmW rack	•
E45105S	Split Solid Doors for 45U x 1000mmW rack	•
E48105S	Split Solid Doors for 48U x 1000mmW rack	•



Vertiv.com | Vertiv Headquarters, 1050 Dearborn Drive, Columbus, OH, 43085, USA

© 2020 Vertiv Group Corp. All rights reserved. Vertiv™ and the Vertiv logo are trademarks or registered trademarks of Vertiv Group Corp. All other names and logos referred to are trade names, trademarks or registered trademarks of their respective owners. While every precaution has been taken to ensure accuracy and completeness here, Vertiv Group Corp. assumes no responsibility, and disclaims all liability, for damages resulting from use of this information or for any errors or omissions. Specifications, rebates and other promotional offers are subject to change at Vertiv's sole discretion upon notice.