



Instruction Manual Environmental Monitoring Unit

Watchdog 1200 Series Firmware Version 3



Contents

Contents	2
Specifications	3
Overview	3
Environmental	3
Electrical	3
Networking	3
Data Formats	3
EMC Verification	4
Installation	5
Guidelines	5
Mounting	5
Network Overview	6
Default IP Address	6
Initial Setup	6
Web Interface	8
Overview	8
Sensors Page	8
Logging Page	9
Display Page	10
Alarms Page	11
Configuration Page	12
Unit Configuration	17
Network Configuration	17
Time and Date	18
E-Mail	18
SNMP	19
Accounts and Passwords	20
Telnet	21
Camera Configuration	21
Admin Information	22
Alarms	23
Alarm Notifications	23
Alarm Types	23
Thresholds	23
Sensors	24
Overview	24
Internal Sensors	24
Temperature Offset	24
I/O Sensors	24
Remote Sensors	26
Data Logging and Display	26
Accessories	27
IP-Addressable Network Cameras	27
RSC Integration	27
Alternate Data Formats	27
Technical Support	28
Firmware Version	28
Firmware Updates	28
Resetting the Unit	28
Service and Maintenance	28
More Technical Support	28
Table of Figures	29
Revision History	30

Specifications

Overview

The Watchdog 1200 Series Environmental Monitoring Units provide remote environmental monitoring and alarming capability needed to detect climate conditions in data centers. The Watchdog 1200 Series environmental monitoring units are equipped with a built-in web server. Web pages, including graphs, are generated by the unit to monitor environmental conditions within the cabinet. No software other than a web browser is required for operation and several data formats are available. In Watchdog 1200 Series units, built-in sensors monitor Temperature, Relative Humidity, Airflow, Light Level and Sound Level. Optional external sensors and network cameras are also available. The Watchdog 1200 Series is available in two different versions; the Watchdog 1200 and Watchdog 1250. The Watchdog 1200 and Watchdog 1250 are identical except for the scrolling LCD display and alarm buzzer features of the Watchdog 1250.

Environmental

Temperature

Operating:	10°C (50°F) min	45°C (104°F) max
Storage:	-25°C (-13°F) min	65°C (149°F) max

Humidity

Operating:	5% min	95% max	(non-condensing)
Storage:	5% min	95% max	(non-condensing)

Elevation

Operating:	0 m (0 ft) min	2000 m (6561 ft) max
Storage:	0 m (0 ft) min	15240 m (50000 ft) max

Electrical

6-12 Volts DC, 2 Amps

Networking

Protocols

HTTP, HTTPS (SSL/TLS), SMTP, POP3, ICMP, DHCP, TCP/IP, NTP, Telnet, Syslog

Ethernet Link Speed

10 Mbit; half-duplex

Data Formats

HTML, SNMP, CSV/Plain Text, XML

EMC Verification

This Class A device complies with part 15 of the FCC Rules. Operation is subject to the following two conditions: (1) This device may not cause harmful interference, and (2) this device must accept any interference received, including interference that may cause undesired operation.

This Class A digital apparatus complies with Canadian ICES-003.

Cet appareil numérique de la classe A est conforme à la norme NMB-003 du Canada.

Warning: Changes or modifications to this unit not expressly approved by the party responsible for compliance could void the user's authority to operate this equipment.

Installation

Guidelines

- If the Environmental Monitoring Unit is installed in a cabinet the ambient temperature of the rack should be no greater than 45°C.
- Install the Environmental Monitoring Unit such that the amount of airflow required for safe operation of equipment is not compromised.
- Mount the Environmental Monitoring Unit so that a hazardous condition is not achieved due to uneven mechanical loading.

Mounting

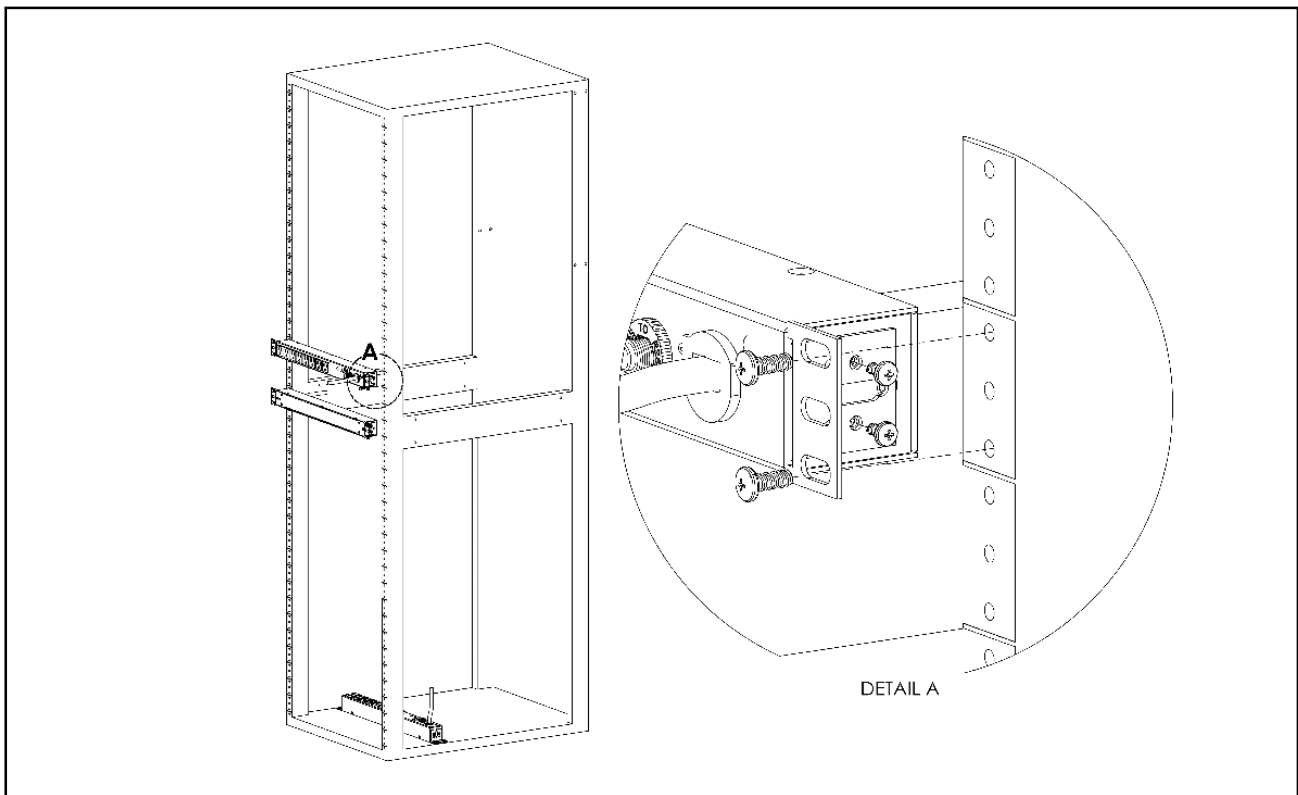


Figure 1: 19" Horizontal/Panel Mount Brackets (7938)

Using the 19" horizontal/panel mount brackets, attach Environmental Monitoring Unit to rack as shown

Network Overview

This product comes preconfigured with a default IP address set. Simply connect to the Environmental Monitoring Unit and access the web page with your browser.

Default IP Address

Watchdog 1200 Series units have a default IP address for initial setup and access to the unit if the assigned address is lost or forgotten. Once an IP address is assigned to a unit, the default IP address is no longer active. To restore the default IP address, press the reset button located below the network connector and hold for approximately 20 seconds. The idle and activity lights on the network connector will both light up when the IP address has been reset. The reset button is accessed through the white, circular hole located below the Ethernet jack.

Note: Pressing the reset button under the network connector will restore the default IP address and will also clear all password settings.

The Configuration page allows you to assign the network properties or use DHCP to connect to your network. Access to the unit requires the IP address to be known, so use of a Static IP or reserved DHCP is recommended. The default address is shown on the front of the unit:

- **IP Address:** 192.168.123.123
- **Subnet Mask:** 255.255.255.0
- **Gateway:** 192.168.123.1

Initial Setup

Connect the Watchdog 1200 Series unit to your computer using a crossover cable or hub/switch.

Windows OS

Navigate to the Local Area Network Adapter Connections Properties and change the Internet Protocol Version 4 (TCP/IPv4) Properties. Select "Use the following IP address". Use these settings:

- **IP Address:** 192.168.123.1
- **Subnet Mask:** 255.255.255.0
- **Gateway:** Leave blank

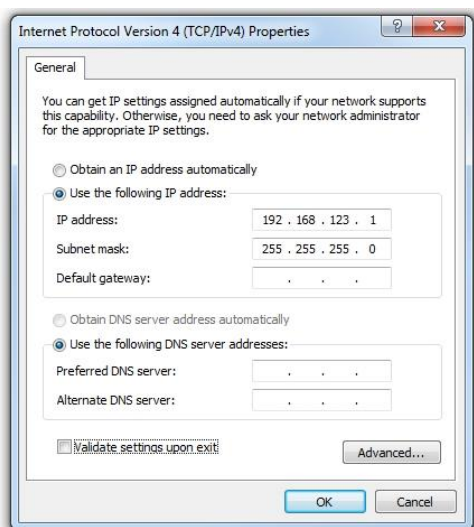


Figure 2: Network settings for initial setup. Images varies depending on Windows versions.

Save changes.

The unit should now be accessible in a web browser via the unit's permanent IP address: <http://192.168.123.123/>. See Unit Configuration (page 17) for details.

Mac OS

Open System Preferences via the Dock or the Apple menu.

Select "Network" under "Internet & Network."

Select "Ethernet" from the list on the left side of the window and enter these settings on the right side of the window:

- **Configure:** Manually
- **IP Address:** 192.168.123.1
- **Subnet Mask:** 255.255.255.0
- **Router:** Leave blank

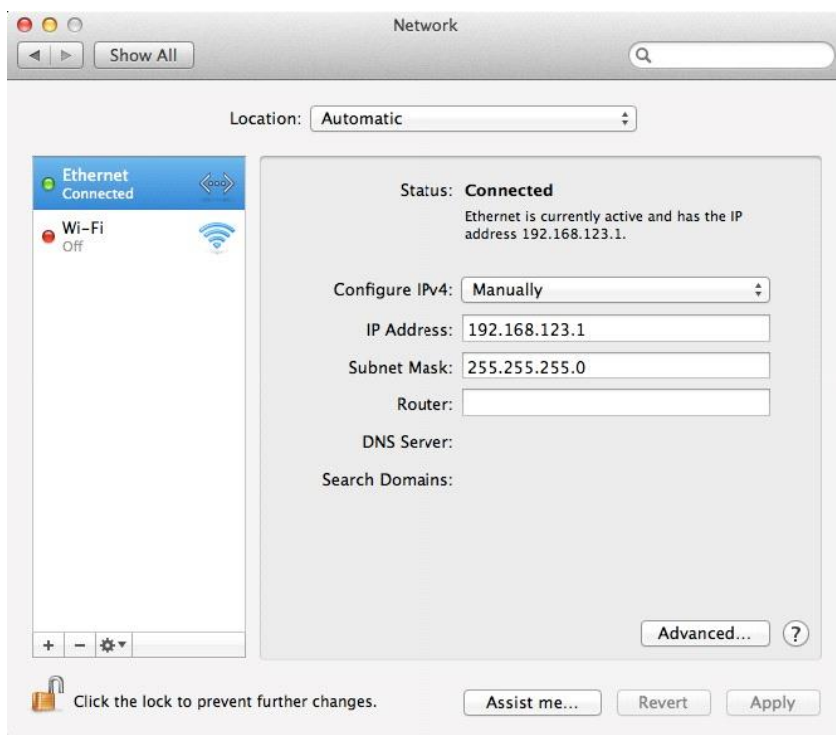


Figure 3: Mac OS network settings for initial setup. Image varies depending on Mac versions.

Apply changes.

The unit should now be accessible in a web browser via the unit's permanent IP address: <http://192.168.123.123/>. See Unit Configuration (page 17) for details.

Web Interface

Overview

The unit is accessible via a standard, unencrypted HTTP connection as well as an encrypted HTTPS (SSL) connection. The following web pages are available:

Sensors Page

The front page, *Sensors*, gives both instantaneous and historical views of the unit's data. Real time readings are provided for all sensor data next to historical graphs.

Optional cameras may be added and their live snapshots are shown on this page. Plug-and-play sensors appear below the internal sensors when attached.

The menu bar allows access to the rest of the Environmental Monitoring Unit's functionality.

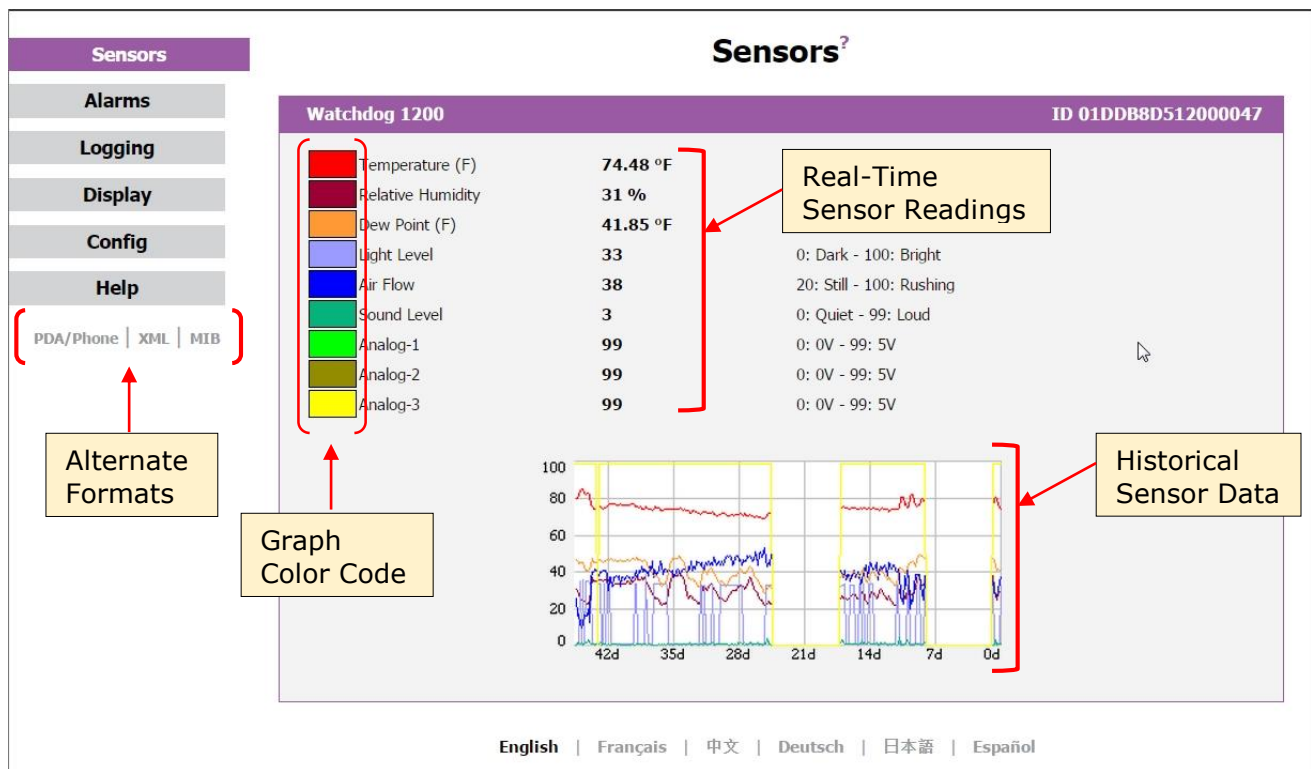


Figure 4: Sensors Page – Power Strip Circuit Data

Logging Page

The *Logging* page allows the user to access the historical data by selecting the desired sensors and time range to be graphed. Selected sensor values are logged into the data file at a rate of one point per minute. Please note that although data is logged once per minute, all sensor data used in the real time display and alarm functions is read at least once every 5 seconds for internal sensors and once every 30 seconds for external sensors. On Watchdog 1250 units only, checked readings are displayed on the LCD module. Recorded data is available for download in a comma-separated values (CSV) file.

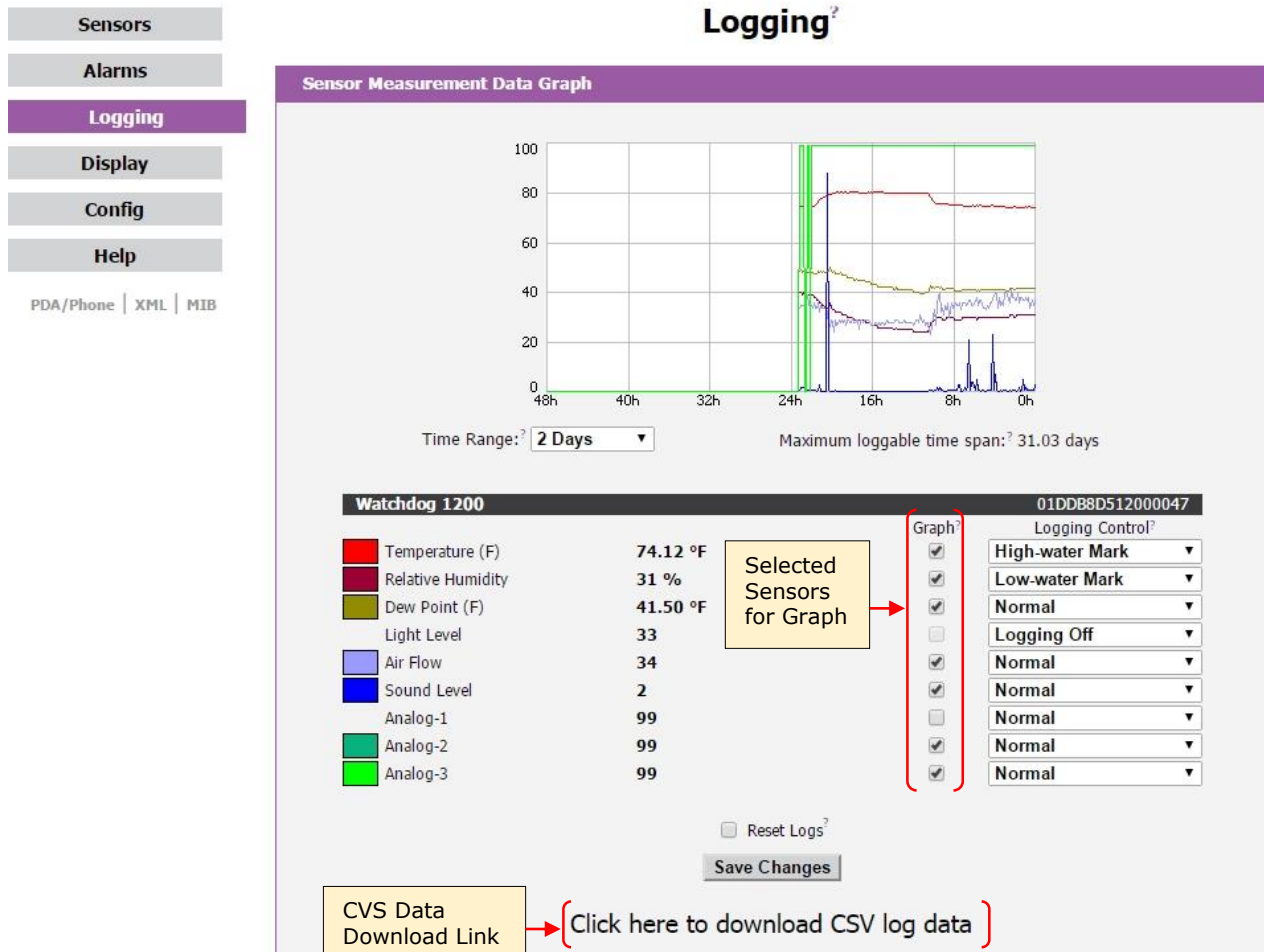


Figure 5: Logging Page

Display Page

The *Display* page allows the user to assign friendly names to internal and attached sensors as well as change the default temperature unit of measure for sensors. The display page also allows the user to select between the default and classic web page layouts. The default interface displays a vertical menu bar to the left of the main window, while the classic interface displays a horizontal menu bar across the top of the screen.

The screenshot shows the 'Display' configuration page. On the left is a vertical navigation menu with options: Sensors, Alarms, Logging, Display (highlighted), Config, and Help. Below the menu are links for PDA/Phone, XML, and MIB. The main content area is titled 'Display' and contains three sections:

- General:** Includes dropdown menus for Default Language (English), Date Format (USA (MM/DD/YY)), Temperature Unit (Fahrenheit), Internal Temperature Offset (-1.11C/-2F), and Interface Type (Default). A 'Save Changes' button is at the bottom.
- Devices:** Shows a table with columns for Unique Address, Device Type, and Friendly Name. The address is 01DDB8D512000047, device type is climate, and friendly name is Watchdog 1200. There is a checkbox for 'Remove all unplugged devices' and a 'Save Changes' button.
- Analog Sensors:** A table with columns for Sensor, Friendly Name, Min, Max, and Unit. The table lists three sensors: IO-1, IO-2, and IO-3, each with a friendly name (Analog-1, Analog-2, Analog-3) and scale values (Min: 0.000, Max: 99.000). A 'Save Changes' button is at the bottom. A red box highlights the Min and Max columns, with a red arrow pointing to a yellow callout box labeled 'Analog Scale Adjustment'.

At the bottom of the page, there are language selection links: English | Français | 中文 | Deutsch | 日本語 | Español.

Figure 6: Display Page

Alarms Page

The *Alarms* page allows the user to establish alarm conditions for each sensor reading. Alarm conditions can be established with either high or low trip thresholds. The alarms are displayed in different sections based on the device the alarm is associated with. Alarm options include a local Buzzer (Watchdog 1250 units only), Email and SNMP Trap. See Alarms (page 23) for details.

Sensors

Alarms

Logging

Display

Config

Help

PDA/Phone | XML | MIB

Alarms?

Watchdog 1200 ID: 01DDB8D512000047

Temperature (C) trips if threshold: Below -999.0

Alarm must remain tripped for 0 (min) before notification?

Repeat every: No Repeat

E-mail

- (E-mail 1)
- (E-mail 2)
- (E-mail 3)

Untripped

Save Changes Add New Alarm

Alarm Type

Alarm Threshold

Notification Type

Alarm Behavior

Unplugged Alerts: Enabled

Save Changes

English | Français | 中文 | Deutsch | 日本語 | Español

Figure 7: Alarms Page

Configuration Page

The *Configuration* page has five sub-tabs; *Network*, *Monitoring*, *Diagnostics*, *Event Log*, and *Admin*. See Unit Configuration (page 17) for details.

Configuration Network Tab

The user can enter and update the network settings on the *Network* tab of the *Configuration* page. See Unit Configuration section for details.

The screenshot displays the 'Configuration' page with a sidebar on the left containing navigation tabs: Sensors, Alarms, Logging, Display, Config (highlighted), Network (highlighted), Monitoring, Diagnostics, Event Log, Admin, and Help. Below the sidebar are links for PDA/Phone, XML, and MIB. The main content area is titled 'Configuration' and is divided into two sections: 'Network' and 'Web Server'. The 'Network' section shows 'Current Network Configuration set statically' with a link speed of '10Mbps/half-duplex'. It offers three radio button options: 'Use DHCP for Network Configuration and DNS Server Addresses', 'Use DHCP for Network Configuration and Static DNS server addresses', and 'Use Static Network Configuration and DNS server addresses' (which is selected). Below these are input fields for IP Address (192.168.140.225), Subnet Mask (255.255.255.0), Gateway (192.168.140.254), Primary DNS Server (10.1.0.98), and Secondary DNS Server (10.1.0.99). A 'Save Changes' button is at the bottom. The 'Web Server' section has a 'Protocols' dropdown set to 'HTTP and HTTPS', 'HTTP Port' set to 80, 'HTTPS Port' set to 443, and 'Telnet Service' dropdown set to 'Enabled'. A 'Save Changes' button is also present.

English | Français | 中文 | Deutsch | 日本語 | Español

Figure 8: Configuration Network Tab

Configuration Diagnostics Tab

The user can update the Syslog settings on the *Diagnostics* tab of the *Configuration* page.

- Sensors
- Alarms
- Logging
- Display
- Config
- Network
- Monitoring
- Diagnostics
- Event Log
- Admin
- Help

PDA/Phone | XML | MIB

Configuration²

Syslog

Facility: LOCAL0 ▾

Daemon Address:port 1:

Syslog Configuration

Subsystems	Severity							
	emergency	alert	critical	error	warning	notice	inform	debug
<i>os</i>	<input checked="" type="checkbox"/>	<input checked="" type="checkbox"/>	<input checked="" type="checkbox"/>	<input checked="" type="checkbox"/>	<input type="checkbox"/>	<input type="checkbox"/>	<input type="checkbox"/>	<input type="checkbox"/>
<i>lwip</i>	<input checked="" type="checkbox"/>	<input checked="" type="checkbox"/>	<input checked="" type="checkbox"/>	<input checked="" type="checkbox"/>	<input type="checkbox"/>	<input type="checkbox"/>	<input type="checkbox"/>	<input type="checkbox"/>
<i>socket</i>	<input checked="" type="checkbox"/>	<input checked="" type="checkbox"/>	<input checked="" type="checkbox"/>	<input checked="" type="checkbox"/>	<input type="checkbox"/>	<input type="checkbox"/>	<input type="checkbox"/>	<input type="checkbox"/>
<i>macphy</i>	<input checked="" type="checkbox"/>	<input checked="" type="checkbox"/>	<input checked="" type="checkbox"/>	<input checked="" type="checkbox"/>	<input type="checkbox"/>	<input type="checkbox"/>	<input type="checkbox"/>	<input type="checkbox"/>
<i>flashfl</i>	<input checked="" type="checkbox"/>	<input checked="" type="checkbox"/>	<input checked="" type="checkbox"/>	<input checked="" type="checkbox"/>	<input type="checkbox"/>	<input type="checkbox"/>	<input type="checkbox"/>	<input type="checkbox"/>
<i>webserv</i>	<input checked="" type="checkbox"/>	<input checked="" type="checkbox"/>	<input checked="" type="checkbox"/>	<input checked="" type="checkbox"/>	<input type="checkbox"/>	<input type="checkbox"/>	<input type="checkbox"/>	<input type="checkbox"/>
<i>spi0dev</i>	<input checked="" type="checkbox"/>	<input checked="" type="checkbox"/>	<input checked="" type="checkbox"/>	<input checked="" type="checkbox"/>	<input type="checkbox"/>	<input type="checkbox"/>	<input type="checkbox"/>	<input type="checkbox"/>
<i>device</i>	<input checked="" type="checkbox"/>	<input checked="" type="checkbox"/>	<input checked="" type="checkbox"/>	<input checked="" type="checkbox"/>	<input type="checkbox"/>	<input type="checkbox"/>	<input type="checkbox"/>	<input type="checkbox"/>
<i>host</i>	<input checked="" type="checkbox"/>	<input checked="" type="checkbox"/>	<input checked="" type="checkbox"/>	<input checked="" type="checkbox"/>	<input type="checkbox"/>	<input type="checkbox"/>	<input type="checkbox"/>	<input type="checkbox"/>
<i>setvars</i>	<input checked="" type="checkbox"/>	<input checked="" type="checkbox"/>	<input checked="" type="checkbox"/>	<input checked="" type="checkbox"/>	<input type="checkbox"/>	<input type="checkbox"/>	<input type="checkbox"/>	<input type="checkbox"/>
<i>dynweb</i>	<input checked="" type="checkbox"/>	<input checked="" type="checkbox"/>	<input checked="" type="checkbox"/>	<input checked="" type="checkbox"/>	<input type="checkbox"/>	<input type="checkbox"/>	<input type="checkbox"/>	<input type="checkbox"/>
<i>snmp</i>	<input checked="" type="checkbox"/>	<input checked="" type="checkbox"/>	<input checked="" type="checkbox"/>	<input checked="" type="checkbox"/>	<input type="checkbox"/>	<input type="checkbox"/>	<input type="checkbox"/>	<input type="checkbox"/>
<i>alarms</i>	<input checked="" type="checkbox"/>	<input checked="" type="checkbox"/>	<input checked="" type="checkbox"/>	<input checked="" type="checkbox"/>	<input type="checkbox"/>	<input type="checkbox"/>	<input type="checkbox"/>	<input type="checkbox"/>
<i>email</i>	<input checked="" type="checkbox"/>	<input checked="" type="checkbox"/>	<input checked="" type="checkbox"/>	<input checked="" type="checkbox"/>	<input type="checkbox"/>	<input type="checkbox"/>	<input type="checkbox"/>	<input type="checkbox"/>
<i>rtclock</i>	<input checked="" type="checkbox"/>	<input checked="" type="checkbox"/>	<input checked="" type="checkbox"/>	<input checked="" type="checkbox"/>	<input type="checkbox"/>	<input type="checkbox"/>	<input type="checkbox"/>	<input type="checkbox"/>
<i>sntp</i>	<input checked="" type="checkbox"/>	<input checked="" type="checkbox"/>	<input checked="" type="checkbox"/>	<input checked="" type="checkbox"/>	<input type="checkbox"/>	<input type="checkbox"/>	<input type="checkbox"/>	<input type="checkbox"/>
<i>dns</i>	<input checked="" type="checkbox"/>	<input checked="" type="checkbox"/>	<input checked="" type="checkbox"/>	<input checked="" type="checkbox"/>	<input type="checkbox"/>	<input type="checkbox"/>	<input type="checkbox"/>	<input type="checkbox"/>
<i>datalog</i>	<input checked="" type="checkbox"/>	<input checked="" type="checkbox"/>	<input checked="" type="checkbox"/>	<input checked="" type="checkbox"/>	<input type="checkbox"/>	<input type="checkbox"/>	<input type="checkbox"/>	<input type="checkbox"/>
<i>graphin</i>	<input checked="" type="checkbox"/>	<input checked="" type="checkbox"/>	<input checked="" type="checkbox"/>	<input checked="" type="checkbox"/>	<input type="checkbox"/>	<input type="checkbox"/>	<input type="checkbox"/>	<input type="checkbox"/>
<i>firmwar</i>	<input checked="" type="checkbox"/>	<input checked="" type="checkbox"/>	<input checked="" type="checkbox"/>	<input checked="" type="checkbox"/>	<input type="checkbox"/>	<input type="checkbox"/>	<input type="checkbox"/>	<input type="checkbox"/>
<i>msgcatlg</i>	<input checked="" type="checkbox"/>	<input checked="" type="checkbox"/>	<input checked="" type="checkbox"/>	<input checked="" type="checkbox"/>	<input type="checkbox"/>	<input type="checkbox"/>	<input type="checkbox"/>	<input type="checkbox"/>

[English](#) | [Français](#) | [中文](#) | [Deutsch](#) | [日本語](#) | [Español](#)

Figure 10: Configuration Diagnostics Tab

Configuration Event Log Tab

The user can view the Event Log and update the Memory Syslog settings on the *Event Log* tab of the *Configuration* page.

- Sensors
- Alarms
- Logging
- Display
- Config
- Network
- Monitoring
- Diagnostics
- Event Log
- Admin
- Help

PDA/Phone | XML | MIB

Configuration

NVRAM Event Log

Click here to view NVM event log

[Clear NVM event log](#)

Memory Syslog

```

1/29/2015 23:28:00 setvars:var_init: Reading data from flash succeeded. Merged data will be written
1/29/2015 23:27:59 setvars:var_init: size of block in flash: 20524, current block 20524.
1/29/2015 23:27:59 setvars:var_init: Current firmware rev [1071], data in flash from rev [1072].
1/29/2015 23:27:59 setvars:var_init: token_read=[VARS BLOCK HERE], from address 0x80440000.
1/29/2015 23:27:59 setvars:var_netstack_push: secondary dns address set to static value: 8.8.4.4
1/29/2015 23:27:59 setvars:var_netstack_push: primary dns address set to static value: 8.8.8.8
1/29/2015 23:27:59 setvars:var_netstack_push: gateway set to 192.168.123.1.
1/29/2015 23:27:59 setvars:var_netstack_push: netmask set to 255.255.255.0.
1/29/2015 23:27:59 setvars:var_netstack_push: IP address set to 192.168.123.123.
1/29/2015 23:27:59 socket :set static IP to 192.168.123.123
1/29/2015 23:27:59 setvars:var_netstack_push: DHCP status set to 0.
1/29/2015 23:27:59 setvars:var_netstack_push: MAC address was set to 00:19:85:E0:0E:48.
1/29/2015 23:27:59 setvars:var_netstack_push: secondary dns address set to static value: 8.8.4.4
1/29/2015 23:27:59 setvars:var_netstack_push: primary dns address set to static value: 8.8.8.8
1/29/2015 23:27:59 setvars:var_netstack_push: gateway set to 0.0.0.0.
1/29/2015 23:27:58 setvars:var_netstack_push: netmask set to 0.0.0.0.
1/29/2015 23:27:58 setvars:var_netstack_push: IP address set to 0.0.0.0.
1/29/2015 23:27:58 socket :set static IP to 0.0.0.0
1/29/2015 23:27:58 setvars:var_netstack_push: DHCP status set to 0.
1/29/2015 23:27:58 setvars:var_netstack_push: MAC address was set to 00:19:85:E0:0E:48.

```

Memory Syslog

Subsystems	Severity							
	emergency	alert	critical	error	warning	notice	inform	debug
os	<input type="checkbox"/>	<input type="checkbox"/>	<input type="checkbox"/>	<input type="checkbox"/>	<input type="checkbox"/>	<input type="checkbox"/>	<input type="checkbox"/>	<input type="checkbox"/>
lwip	<input type="checkbox"/>	<input type="checkbox"/>	<input type="checkbox"/>	<input type="checkbox"/>	<input type="checkbox"/>	<input type="checkbox"/>	<input type="checkbox"/>	<input type="checkbox"/>
socket	<input type="checkbox"/>	<input type="checkbox"/>	<input type="checkbox"/>	<input type="checkbox"/>	<input type="checkbox"/>	<input type="checkbox"/>	<input type="checkbox"/>	<input type="checkbox"/>
macphy	<input type="checkbox"/>	<input type="checkbox"/>	<input type="checkbox"/>	<input type="checkbox"/>	<input type="checkbox"/>	<input type="checkbox"/>	<input type="checkbox"/>	<input type="checkbox"/>
flashfl	<input type="checkbox"/>	<input type="checkbox"/>	<input type="checkbox"/>	<input type="checkbox"/>	<input type="checkbox"/>	<input type="checkbox"/>	<input type="checkbox"/>	<input type="checkbox"/>
webserv	<input type="checkbox"/>	<input type="checkbox"/>	<input type="checkbox"/>	<input type="checkbox"/>	<input type="checkbox"/>	<input type="checkbox"/>	<input type="checkbox"/>	<input type="checkbox"/>
spi0dev	<input type="checkbox"/>	<input type="checkbox"/>	<input type="checkbox"/>	<input type="checkbox"/>	<input type="checkbox"/>	<input type="checkbox"/>	<input type="checkbox"/>	<input type="checkbox"/>
device	<input type="checkbox"/>	<input type="checkbox"/>	<input type="checkbox"/>	<input type="checkbox"/>	<input type="checkbox"/>	<input type="checkbox"/>	<input type="checkbox"/>	<input type="checkbox"/>
host	<input type="checkbox"/>	<input type="checkbox"/>	<input type="checkbox"/>	<input type="checkbox"/>	<input type="checkbox"/>	<input type="checkbox"/>	<input type="checkbox"/>	<input type="checkbox"/>
setvars	<input type="checkbox"/>	<input type="checkbox"/>	<input type="checkbox"/>	<input type="checkbox"/>	<input type="checkbox"/>	<input type="checkbox"/>	<input type="checkbox"/>	<input type="checkbox"/>
dynweb	<input type="checkbox"/>	<input type="checkbox"/>	<input type="checkbox"/>	<input type="checkbox"/>	<input type="checkbox"/>	<input type="checkbox"/>	<input type="checkbox"/>	<input type="checkbox"/>
snmp	<input type="checkbox"/>	<input type="checkbox"/>	<input type="checkbox"/>	<input type="checkbox"/>	<input type="checkbox"/>	<input type="checkbox"/>	<input type="checkbox"/>	<input type="checkbox"/>
alarms	<input type="checkbox"/>	<input type="checkbox"/>	<input type="checkbox"/>	<input type="checkbox"/>	<input type="checkbox"/>	<input type="checkbox"/>	<input type="checkbox"/>	<input type="checkbox"/>
email	<input type="checkbox"/>	<input type="checkbox"/>	<input type="checkbox"/>	<input type="checkbox"/>	<input type="checkbox"/>	<input type="checkbox"/>	<input type="checkbox"/>	<input type="checkbox"/>
rtclock	<input type="checkbox"/>	<input type="checkbox"/>	<input type="checkbox"/>	<input type="checkbox"/>	<input type="checkbox"/>	<input type="checkbox"/>	<input type="checkbox"/>	<input type="checkbox"/>
sntp	<input type="checkbox"/>	<input type="checkbox"/>	<input type="checkbox"/>	<input type="checkbox"/>	<input type="checkbox"/>	<input type="checkbox"/>	<input type="checkbox"/>	<input type="checkbox"/>
dns	<input type="checkbox"/>	<input type="checkbox"/>	<input type="checkbox"/>	<input type="checkbox"/>	<input type="checkbox"/>	<input type="checkbox"/>	<input type="checkbox"/>	<input type="checkbox"/>
datalog	<input type="checkbox"/>	<input type="checkbox"/>	<input type="checkbox"/>	<input type="checkbox"/>	<input type="checkbox"/>	<input type="checkbox"/>	<input type="checkbox"/>	<input type="checkbox"/>
graphin	<input type="checkbox"/>	<input type="checkbox"/>	<input type="checkbox"/>	<input type="checkbox"/>	<input type="checkbox"/>	<input type="checkbox"/>	<input type="checkbox"/>	<input type="checkbox"/>
firmwar	<input type="checkbox"/>	<input type="checkbox"/>	<input type="checkbox"/>	<input type="checkbox"/>	<input type="checkbox"/>	<input type="checkbox"/>	<input type="checkbox"/>	<input type="checkbox"/>
msgcatlg	<input type="checkbox"/>	<input type="checkbox"/>	<input type="checkbox"/>	<input type="checkbox"/>	<input type="checkbox"/>	<input type="checkbox"/>	<input type="checkbox"/>	<input type="checkbox"/>

E-mail Send logs now

[Save Changes](#)

English | Français | 中文 | Deutsch | 日本語 | Español

Figure 11: Configuration Event Log Tab

Configuration Admin Tab

The user can set the system clock and administrative information on this tab. Additionally the user can set administrator and account passwords. See Unit Configuration section for details.

Sensors

Alarms

Logging

Display

Config

Network

Monitoring

Diagnostics

Event Log

Admin

Help

PDA/Phone | XML | RSS

Configuration

All Parameters

[Reset ALL to Default Values](#)

[Refresh DNS Cache](#)

Reboot

[Reboot](#)

RS2 Disclaimer

Warning: If you view this screen on a computer or browser, then the expiration of these conditions will carry over to that device as well.

There are no warranties, express or implied by this action, by the operation of law or otherwise, of enabling this feature. GEST DISCLAIMS ALL IMPLIED WARRANTIES OF MERCHANTABILITY, SATISFACTION, AND FITNESS FOR A PARTICULAR PURPOSE.

GEST expressly warrants will not be enlarged, diminished, or affected by and no obligation or liability will arise out of Gest rendering of technical or other advice or service in connection with the alarms being set on the RS2.

The foregoing warranties and remedies are exclusive and in lieu of all other warranties and remedies. THERE ARE NO WARRANTIES SET FORTH ABOVE—ONLY THE EXCLUSION OF ALL IMPLIED WARRANTIES.

Disabled

Accept

[Enable](#) | [Disable](#)

System Clock, set to GMT

Set Clock method: NTP Server

GMT to local, (+/-)hh:mm -05:00

NTP primary server: 192.43.244.18
192.43.244.18

NTP secondary server: 129.6.15.28
129.6.15.28

Sync to NTP server period (seconds) 1800

[Save Changes](#)

Daylight Saving Time

DST is DISABLED

Enable DST: Disabled

[Save Changes](#)

Name and Password Configuration

NOTE 1: If Account currently has a password, leaving Old Password blank results in no changes to that account.

NOTE 2: Administrator password may be used in the Old Password field of any account.

NOTE 3: If setting New Password to blank, Account Name must also be blank.

NOTE 4: If New Password is not blank, Account Name must not be blank.

Administrator Account Name:

Old Password:

New Password:

New Password Again: (again to confirm)

Warning: Record your password. Loss of password may require 48 hours to recover.

Control Account Name:

Old Password:

New Password:

New Password Again: (again to confirm)

Warning: Record your password. Loss of password may require 48 hours to recover.

View Only Account Name:

Old Password:

New Password:

New Password Again: (again to confirm)

Warning: Record your password. Loss of password may require 48 hours to recover.

[Save Changes](#)

Admin Info

Contact Name:

Contact Email: (required)

Contact Phone:

Device Location: (required)

Device Description: (optional)

[Save Changes](#)

Saved Configuration XML File

XML File: Choose File No file chosen

[Upload Local XML File](#)

[Download Current XML File](#)

SSL Certificate and Private Key

SSL Certificate and Private Key are INVALID

SSL Certificate File: Choose File No file chosen

SSL Private Key File: Choose File No file chosen

[Upload SSL Files](#)

[Erase SSL Data](#)

Upload System Firmware

Firmware package file: Choose File No file chosen

[Upload New Firmware](#)

[English](#) | [Français](#) | [中文](#) | [Deutsch](#) | [日本語](#) | [Español](#)

Figure 12: Configuration Admin Tab

Unit Configuration

Network Configuration

The unit's network configuration is set on the *Network* tab of the *Configuration* page. Settings pertaining to the unit's network connection are:

The image shows two screenshots of a configuration interface. The top screenshot is titled 'Network' and shows the 'Current Network Configuration' set statically. It displays the link speed as '10Mbps/half-duplex'. There are three radio button options for configuration: 'Use DHCP for Network Configuration and DNS Server Addresses', 'Use DHCP for Network Configuration and Static DNS server addresses:', and 'Use Static Network Configuration and DNS server addresses:'. The third option is selected. Below these are input fields for IP Address (192.168.140.225), Subnet Mask (255.255.255.0), Gateway (192.168.140.254), Primary DNS Server (10.1.0.98), and Secondary DNS Server (10.1.0.99). A 'Save Changes' button is at the bottom. The bottom screenshot is titled 'Web Server' and shows a dropdown for 'Protocols' set to 'HTTP and HTTPS', an input field for 'HTTP Port' set to '80', an input field for 'HTTPS Port' set to '443', and a dropdown for 'Telnet Service' set to 'Enabled'. A 'Save Changes' button is at the bottom.

Figure 13: Network Configuration

- **DHCP:** Allows the unit to request a dynamic IP address from a server on the network.
- **Static IP Address/Net Mask/Gateway:** When not using a dynamic address, enter static network configuration information here.
- **Telnet Service:** Enable or disable the built-in Telnet server. See Telnet (page 21) for details.
- **HTTP Services:** Enables/disables access via HTTP and HTTPS. Available options are: HTTP and HTTPS, HTTP only, and HTTPS only. It is not possible to disable the web interface completely.
- **HTTP/HTTPS Server Port:** Changes the TCP port that each server listens on.
- **DNS Servers:** Allows the unit to resolve host names for Email, NTP and SNMP servers as well as cameras.

Time and Date

The system clock is set on the *Admin* tab of the *Configuration* page. The unit comes preconfigured with the IP addresses of two NIST time servers and is set to the Central Time Zone (-0500 GMT). Should a local time server be preferred, enter its IP address into the "NTP primary server" box and click the "Save Changes" button. Clearing the time server addresses and clicking "Save Changes" will set the time servers back to the defaults. The unit attempts to contact the time servers during boot up and periodically while running. Until a time server is contacted or the system clock is manually set, all log time stamps will present time as the number of seconds since the unit was powered up and graphs will not be shown.

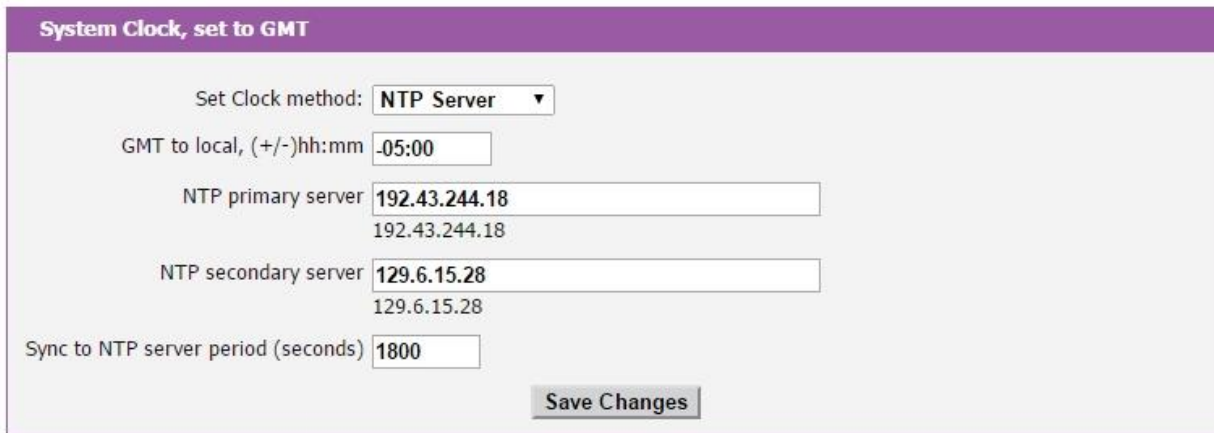


Figure 14: Time Settings

The time, date, IP address and friendly name of the unit are displayed in the top of each web page.

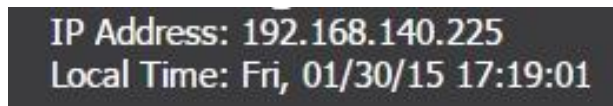


Figure 15: Time and Date Display

Note: The time and date are not adjusted for daylight savings time. Setting the time zone offset forward and backward an hour will cause a gap or overwriting of logs, respectively.

E-Mail

The unit is capable of sending e-mail to as many as five addresses at once. Most SMTP and ESMTP servers are compatible. Authentication options are None, POP3 (POP-before-SMTP) or ESMTP. The e-mail configuration is set on the *Monitoring* tab of the *Configuration* page.

Figure 16: E-Mail Configuration

An SMTP server as well as "From" and "To" addresses are required to send e-mails. Some mail servers may require a username and password. In most cases, the username does not have to match the "From" address, but does need to be a valid user on the authenticating server. Microsoft Exchange servers will have to be set to allow SMTP relay from the IP address of the unit. In addition, a test email can be sent from the bottom of the *Monitoring* tab of the *Configuration* page.

Note: The unit cannot receive e-mails. The POP3 server is used strictly for authentication and is not required when using None or ESMTP.

Status Reports

When enabled, the unit will periodically send a full status report to all "To" e-mail addresses selected for the report. The report includes current unit data from all attached sensors as well as alarm states. Reporting frequency options are: weekly, hourly, every 2, 3, 4, 6, 8, 12, 24, or 48 hours. E-mail addresses are selected when the report is created by checking the corresponding e-mail destination box. Allowing the cursor to hover over an e-mail destination box will display the e-mail address that the box is associated with.

Figure 17: Email Report Settings

SNMP

The unit supports retrieval of all data via Simple Network Management Protocol (SNMP) v1 and v2c. In addition, alarm traps can be sent to up to two IP addresses. The SNMP configuration is entered on the *Monitoring* tab of the *Configuration* page.

The image shows a web-based configuration page for SNMP. At the top, there is a purple header with the text "SNMP". Below the header, the configuration options are as follows:

- SNMP Service: Enabled (dropdown menu)
- Temperature Precision: 1x degree C/F (dropdown menu)
- Read Community: public (text input field)
- Listen port for GET: 161 (text input field)
- Trap Community: private (text input field)
- Write Community: private (text input field)
- Trap Type: V2C Notify (dropdown menu)
- Trap IP Address:port 1: 192.168.140.140:162 (text input field, with 192.168.140.140 shown below it)
- Trap IP Address:port 2: (empty text input field)

At the bottom of the configuration area, there are two buttons: "Save Changes" and "Send Test SNMP Trap?".

Figure 18: SNMP Configuration

The default community string is "public" and the MIB is downloadable via a link at the top of the unit's web page.

Accounts and Passwords

The Watchdog 1200 Series unit's offer account security options that are entered on the *Admin* tab of the *Configuration* page. There are three levels of account security:

- **Administrator:** Password protects the Display, Alarms and Configuration pages.
- **Control Access:** Password protects the Control Actions and Control Settings pages.
- **View-Only:** Password protects the Sensors, PDA, WAP and XML pages.

Name and Password Configuration

NOTE 1: If Account currently has a password, leaving Old Password blank results in no changes to that account.
 NOTE 2: Administrator password may be used in the Old Password field of any account.
 NOTE 3: If setting New Password to blank, Account Name must also be blank.
 NOTE 4: If New Password is not blank, Account Name must not be blank.

Administrator Account Name?

Old Password

New Password

New Password Again (again, to confirm)
Warning: Record your password. Loss of password may require 48 hours to recover.

Control Account Name?

Old Password

New Password

New Password Again (again, to confirm)
Warning: Record your password. Loss of password may require 48 hours to recover.

View Only Account Name?

Old Password

New Password

New Password Again (again, to confirm)
Warning: Record your password. Loss of password may require 48 hours to recover.

Figure 19: Account Configuration

User account names may include alphanumeric characters, spaces and underscores. Passwords may include alphanumeric characters and underscores.

Note: The Administrator account must be active to enable the Control Access and View-Only accounts.

Note: The Control Access account must be active to enable the View-Only account.

Note: The account names "root" and "admin" are disabled for security reasons and cannot be re-enabled.

Warning: Record your passwords. To reset lost passwords, follow the instructions for resetting the unit's IP address and passwords given in the Default IP Address section. To generate a temporary recovery password to access the unit, contact customer service from a location where the unit can be accessed via the internet.

Telnet

The unit provides a Telnet server for basic monitoring via the command line. The Administrator account must be enabled to use the Telnet interface. Type "help" after logging in to the unit to see a list of available commands. The Telnet service can be disabled under "Web Server" on the *Network* tab of the *Configuration* page.

Note: All data sent via Telnet is unencrypted. Some settings can be changed and user names and network settings are available via Telnet. In secure environments, it is recommended that Telnet be disabled.

Camera Configuration

Enter the domain names/IP addresses and models of up to four IP-addressable network cameras in the "Cameras" section of the *Monitoring* tab on the *Configuration* page. The unit will present a linked snapshot from each camera on the *Sensors* page.

Cameras

Cam 1, IP Address:
 Model:
 Username:
 Password:

Cam 2, IP Address:
 Model:
 Username:
 Password:

Cam 3, IP Address:
 Model:
 Username:
 Password:

Cam 4, IP Address:
 Model:
 Username:
 Password:

Figure 20: Configuration and Supported Models

Note: Each camera must be set to allow anonymous access to enable this feature.

Admin Information

Information entered in the "Admin Info" section of the *Admin* tab of the *Configuration* page will show up at the bottom of the unit's web interface.

Admin Info

Contact Name:
 Contact Email: (sysContact)
 Contact Phone:
 Device Location: (sysLocation)
 Device Description: (sysName)

Figure 21: Admin Information Fields

Unit Location: Somewhere
 Unit Description:
 Admin: **John Doe** or Call 000.123.5678
 Support: **Manuals, support@geistglobal.com** or Call 800.432.3219 / +1.402.474.3400
 Copyright © 2003-2015 Geist All Rights Reserved.

Figure 22: Admin Information Display

Alarms

Alarm Notifications

The Watchdog 1250 supports three types of alarm notification, while the Watchdog 1200 supports two types of alarm notification:

- **E-Mail (Watchdog 1200 and Watchdog 1250):** The unit can be configured to send alarm e-mails to up to five recipients.
- **SNMP (Watchdog 1200 and Watchdog 1250):** The unit can be configured to send SNMP traps to up to two trap servers.
- **Buzzer (Watchdog 1250 Only):** The Watchdog 1250 unit supports an additional audible alarm notification. The check box for the buzzer alarm will not be displayed on Watchdog 1250 units.

The screenshot shows a configuration window for an alarm. On the left, there is a dropdown menu for 'Temperature (C)' with a sub-menu for 'trips if' set to 'Below' and a 'threshold:?' field containing '-999.0'. In the center, there is a field for 'Alarm must remain tripped for' set to '0' (min) and a 'Repeat every:?' dropdown set to 'No Repeat'. On the right, there is an 'E-mail' section with three checkboxes for '(E-mail 1)', '(E-mail 2)', and '(E-mail 3)'. Below these sections are 'Save Changes' and 'Add New Alarm' buttons. A green 'Untripped' button is also visible.

Figure 23: Alarm State Menu

The unit is capable of any combination of the above alarms at once. Alarm type combinations are selected per alarm via the check boxes which are displayed for each alarm on the Alarms page.

Alarm Types

The Watchdog 1200 and Watchdog 1250 provide three types of alarm messages via E-Mail and SNMP:

- **Trip:** Occurs when a sensor value goes above a high trip threshold or below a low trip threshold.
- **Clear:** Occurs when a sensor already in the Tripped or Unplugged state goes back into its normal range.
- **Unplugged:** Occurs when a sensor with an alarm set loses contact with the main unit due to the sensor being physically unplugged or another communications error.

Alarms can be added for each internal device or external sensor displayed on the Alarms page. An alarm is added by pressing the "Add New Alarm Button" and selecting the sensor value to be monitored from a drop down menu.

Thresholds

The user must set a trip threshold and type for each alarm that is added to the Alarms page. The threshold type is chosen as either "High Trip" or "Low Trip" from a drop down menu when the alarm is created. The threshold value is typed into a data window when the alarm is created. Alarms are triggered based on the selected sensor's data and the trip threshold type and value. Alarm settings can be edited or deleted at any time.

Analysis of each unit is recommended before setting alarm thresholds as some of the values monitored by the unit are relative values, whose scale will differ slightly between units. Allow each unit to operate under normal, steady-state conditions for several hours before setting alarm thresholds. By allowing the sensors to operate for several hours, the user can better understand what the normal variations are; thereby allowing the user to choose alarm thresholds that will not trigger numerous false alarms.

Note: Changes in settings take a few moments to become active. Rapidly resetting alarm values may not provide the desired results. Allow up to 2 minutes after changing a setting before modifying it again.

Sensors

Overview

All internal sensors are measured every 5 seconds. External sensors are measured every 10 to 30 seconds, depending on the number of devices connected. Sensor data collected by the Watchdog 1200 Series units will provide useful trend analysis data. While all values are not absolute in relation to a known unit, trend analysis of the data allows users to view changes and draw useful conclusions about what is happening over time in the monitored environment.

Internal Sensors

The Watchdog 1200 Series units contain the following onboard sensors:

- **Temperature:** Measures temperature and can be displayed in °C or °F. The accuracy is ± 1 °F from -50 °F to 185 °F. Note: This sensor may be heated by internal circuitry in the unit; a temperature offset is available to re-calibrate.
- **Relative Humidity:** Measures the percent of Relative Humidity $\pm 5\%$.
- **Airflow:** Measures airflow is a unit-less value. A reading of 0 to 99 is based on the temperature drop of a heated element in open air vs. still air. This value can be set to 20 in any airflow condition using Telnet. Note: Due to the method of measurement, sharp changes in temperature can affect the accuracy of this sensor. Sensitivity will also be affected by temperature.
- **Light Level:** Measures Light Level as a unit-less reading of 0 to 99.
- **Sound Level:** Measures Sound Level as a unit-less reading of 0 to 99.
- **IO-1:** Scales 0 to 5 Vdc input to 0-99, dry contacts may be used.
- **IO-2:** Scales 0 to 5 Vdc input to 0-99, dry contacts may be used.
- **IO-3:** Scales 0 to 5 Vdc input to 0-99, dry contacts may be used.

Temperature Offset

The internal temperature sensor is pre-calibrated at the factory and the values reported by this sensor are accurate. However, due to low airflow and normal board heating, the temperature sensor may read a few degrees higher than any external sensors that are attached. To counteract this, an offset of up to -7 °C or °F is configurable on the *Display* Page.

I/O Sensors

The Watchdog 1200 Series units come equipped with three I/O ports for connecting additional external sensors such as Water and Door Sensors. The three ports are designed to accept a 0-5 Vdc analog input; alternatively, an internal 100K pull up resistor to 5 V allows for the use of dry contacts. The I/O port input is converted to a digital number ranging from 0 to 99 and is displayed on the *Sensors* page. Unused I/O ports will display a value of 99.

Water sensors act as conductivity bridges. Moisture across the contacts causes the value to drop. Door switches can be wired in a serial connection; if the chain is broken the entire group is classified as open. The limiting factor on the I/O ports is the length of the wire, found to be around 400'.

Water Sensors

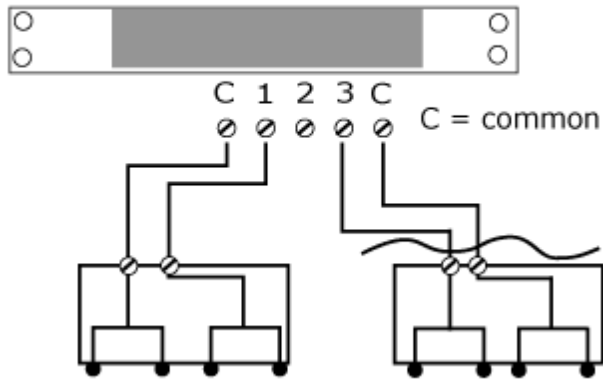


Figure 24: Water Sensor Wiring Example

Door Switches - Extended

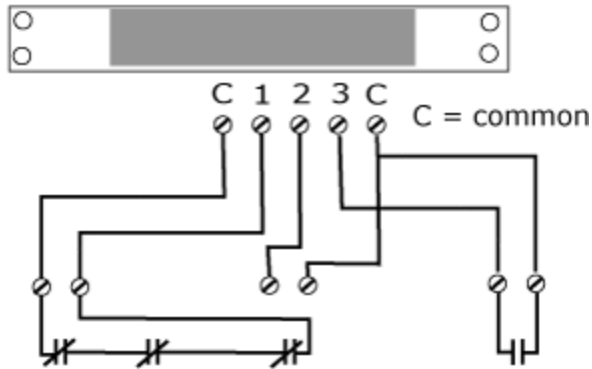


Figure 25: Door Sensor Wiring Example

Additional Optional I/O Sensors

- **RWS:** Water Sensor
- **RDPS:** Door Sensor
- **SA-1:** Smoke Alarm
- **RCP-2:** 125 V City Power Monitor
- **WSK-10:** 10' Water Sensing Cable Kit
- **WSK-40:** 40' Water Sensing Cable Kit
- **-48 VDCM:** Power Monitor
- **30 VDCM:** Power Monitor

Remote Sensors

Available Sensors

- **RT:** Temperature
- **GTHD:** Temperature / Humidity / Dew Point
- **GT3HD:** Temperature / Humidity / Dew Point with ability to add two RT sensors
- **RTAFHD3:** Temperature / Air Flow / Humidity / Dew Point
- **CCAT:** Converts analog I/O Sensors to Remote Digital Sensors

*RTAF, RTAFH & RTHD sensors have been discontinued and replaced by the RTAFHD3 sensor. Some Geist R-Series devices may require a firmware update to allow for proper compatibility with the new RTAFHD3 sensors.

If your Geist R-Series device is using firmware version 2.xx you will want to make sure you are using firmware version 2.94 or newer.

If your Geist R-Series device is using firmware version 3.xx you will want to make sure you are using firmware version 3.5.0 or newer.

Please contact Geist Support at 800-432-3219 if you need assistance locating your current version or upgrading to the new firmware version

RTAFHD3 Compatibility

The (G)RTAFHD3 sensor cannot be utilized in combination with the discontinued (G)RTAF and (G)RTAFH sensors or (G)RTHD sensors built prior to 2010. If you desire to add (G)RTAFHD3 sensors to an existing installation currently utilizing incompatible sensors, please contact Customer Service for installation options.

Connecting Remote Sensors

Plug-and-play remote sensors may be attached to the unit at any time via the RJ-12 connectors on the face of the unit. In some cases splitters may be required to add additional sensors. Each sensor has a unique serial number and is automatically discovered and added to the web page. Up to sixteen sensors may be connected.

The display order of the sensors on the web page is determined by the serial number of each sensor. Friendly names for each sensor can be customized on the *Display* page.

Note: The sensor uses Cat. 3 wire and RJ12 connectors. Wiring must be straight-through: reverse polarity will temporarily disable all sensors until corrected.

Note: The sensors use a serial communication protocol and are subject to network signaling constraints dependent on shielding, environmental noise, and length of wire. Typical installations allow runs of up to 600 feet of sensor wire.

Data Logging and Display

All data collected by the unit can be graphed. The *Logging* page allows the user to select graphed content to be logged. Selected sensor values are logged into the data file at a rate of one point per minute and will be displayed on the unit's LCD display (Watchdog 1250 only). The number of selected sensors determines the maximum data logging time span. This period is calculated and displayed on the *Logging* page. The oldest data will be deleted when the onboard memory fills up in order to make room for new data.

Accessories

IP-Addressable Network Cameras

The unit is able to interface with up to four IP-addressable network cameras. A live snapshot from each camera will be displayed on the unit's *Sensors* page underneath the main unit's graph. Clicking on a snapshot opens the camera's website in a new browser window.



Figure 26: Camera Images

Camera model and IP address are entered on the *Monitoring* tab of the *Configuration* page.

Note: Some cameras require additional software downloads to display live video in a web browser.

RSC Integration

For users with multiple units, Geist RSC software offers:

- Convenient, single-window monitoring of multiple units via simple web-based interface
- Streamlined firmware updating
- Consolidation of alarm settings

See <http://www.geistglobal.com> for more information.

Alternate Data Formats

In addition to the full access, control and configuration available via a desktop web browser, Watchdog 1200 Series products present data in multiple formats for easy integration with other monitoring systems. Data formats available via links on the unit's web page are:

PDA/Phone | XML | MIB

Figure 27: Alternate Format Links

- **PDA/Phone:** Presents data in a format best-suited for PDA or cellular phone web browsers.
- **XML:** Extensible Markup Language. Presents data in a structured tree for use with automated scripts and monitoring systems.
- **MIB:** Management Information Base. Downloads the MIB for use with SNMP monitoring tools.

Technical Support

Firmware Version

The firmware version is located in the upper right section of the web interface header, represented by v3.y.xx. Before contacting support, it is recommended that the Environmental Monitoring Unit first be updated to the latest firmware version. If this is not possible, please have the unit's existing firmware version number available when contacting technical support.



Figure 28: Web Page Header

Firmware Updates

Keep your unit updated with the latest firmware releases or sign up for notifications at the following website: <http://geistglobal.com/support/monitor/firmware>.

Resetting the Unit

Should the Environmental Monitoring Unit lose communication, the processor may be manually rebooted by momentarily removing power from the unit.

Service and Maintenance

No service or maintenance is required. Do not attempt to open the unit or you may void the warranty. No serviceable parts inside.

More Technical Support

<http://www.geistglobal.com>
(800) 432-3219
Email: support@geistglobal.com
Or contact your distributor.

Table of Figures

Figure 1: 19" Horizontal/Panel Mount Brackets (7938)	5
Figure 2: Network settings for initial setup. Images varies depending on Windows versions.....	7
Figure 3: Mac OS network settings for initial setup. Image varies depending on Mac versions.	7
Figure 4: Sensors Page – Power Strip Circuit Data.....	8
Figure 5: Logging Page	9
Figure 6: Display Page	10
Figure 7: Alarms Page	11
Figure 8: Configuration Network Tab	12
Figure 9: Configuration Monitoring Tab	13
Figure 10: Configuration Diagnostics Tab	14
Figure 11: Configuration Event Log Tab	15
Figure 12: Configuration Admin Tab	16
Figure 13: Network Configuration.....	17
Figure 14: Time Settings.....	18
Figure 15: Time and Date Display	18
Figure 16: E-Mail Configuration.....	19
Figure 17: Email Report Settings.....	19
Figure 18: SNMP Configuration	20
Figure 19: Account Configuration	21
Figure 20: Configuration and Supported Models	22
Figure 21: Admin Information Fields.....	22
Figure 22: Admin Information Display.....	22
Figure 23: Alarm State Menu	23
Figure 24: Water Sensor Wiring Example	25
Figure 25: Door Sensor Wiring Example	25
Figure 26: Camera Images.....	27
Figure 27: Alternate Format Links	27
Figure 28: Web Page Header	28

Revision History

Revision	Date	Notes	Approved By
1.0	8/04/2009	Initial Version	BGP
1.1	6/10/2010	Minor Text Updates	BGP
1.2	10/14/2010	RTAFHD3 Information Added	BGP
1.3	4/27/2012	Added GT3HD and GTHD	CG
1.4	5/8/2012	Updated Logo and Web info	CG
1.5	6/26/2013	Added 'G' to product number	SR
2.0	2/13/2015	Change product name, screenshots, and update product information	QN