

# Vertiv™ Liebert® GXT5 Lithium-Ion UPS

## 5000VA MV, 200-240V (L1, L2, N, G)



### Quick Installation Guide



Thank you for your recent purchase of a Vertiv UPS! We appreciate your business and are confident that your new product will provide many years of uninterrupted power to your connected equipment. With this purchase, you may also want to consider Vertiv's complete line of racks, PDUs, thermal solutions, KVM switches, and serial consoles. Vertiv also offers a broad array of services and extended warranties. If you require any assistance or support, please don't hesitate to reach out to one of our resellers, local rep firms, or directly to us at 1-800-222-5877 menu option 3, or email at [microups.warranty@vertiv.com](mailto:microups.warranty@vertiv.com). We stand ready to support you. We sincerely hope that you'll continue to select Vertiv for all of your future infrastructure needs!

The Vertiv Team

**IMPORTANT:** Before installing, connecting to supply, or operating your Liebert® GXT5 Lithium-Ion UPS, please review the Safety and Regulatory Statements sheet. For detailed installation, operating, maintenance and troubleshooting information refer to the Liebert® GXT5 Lithium-Ion User Guide for your model by scanning the QR code above, or visiting [www.Vertiv.com](http://www.Vertiv.com).

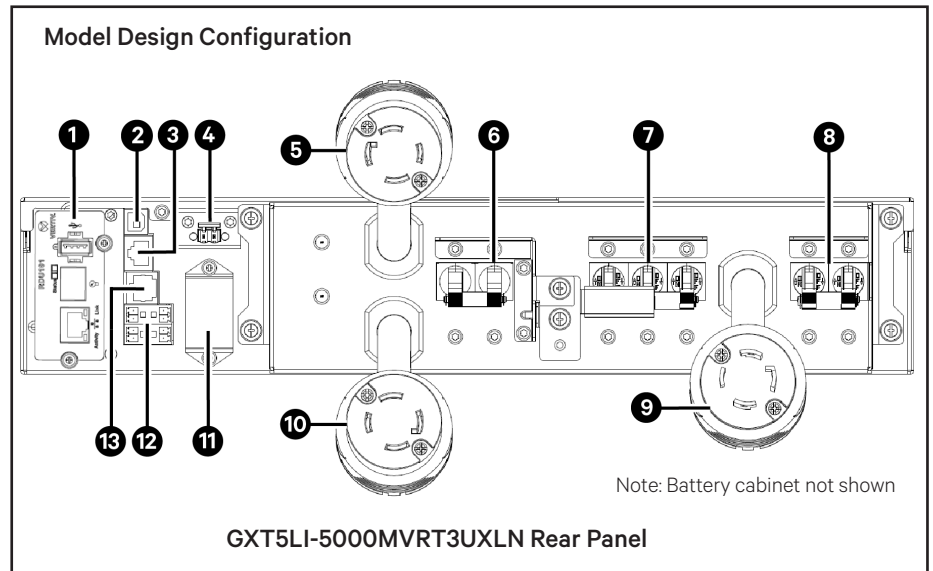
### Pre-Installation Checks

#### 1. Inspecting the UPS

Visually inspect the UPS for any damage. If damage is visible, do not install the unit and call our warranty support line for assistance at 1-800-222-5877 menu option 3, or email at [microups.warranty@vertiv.com](mailto:microups.warranty@vertiv.com).

#### 2. Conditions for Installation

Install the UPS in a temperature controlled environment that is free of corrosive and conductive contaminants. Avoid locations near heat or water sources and exposed to direct sunlight. For proper ventilation, leave four inches clearance on the front and rear sides of the UPS.

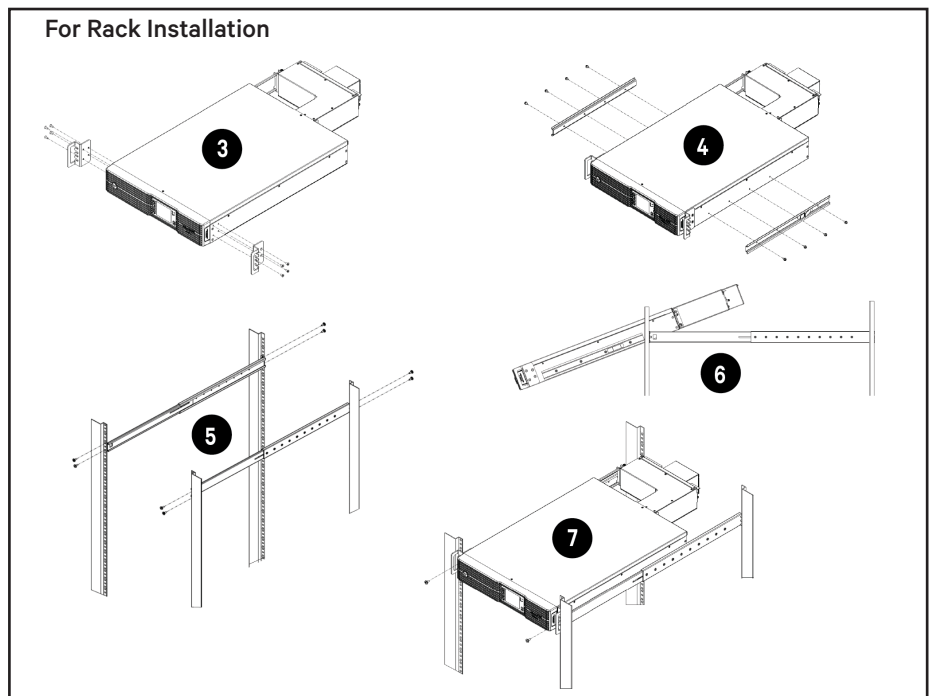
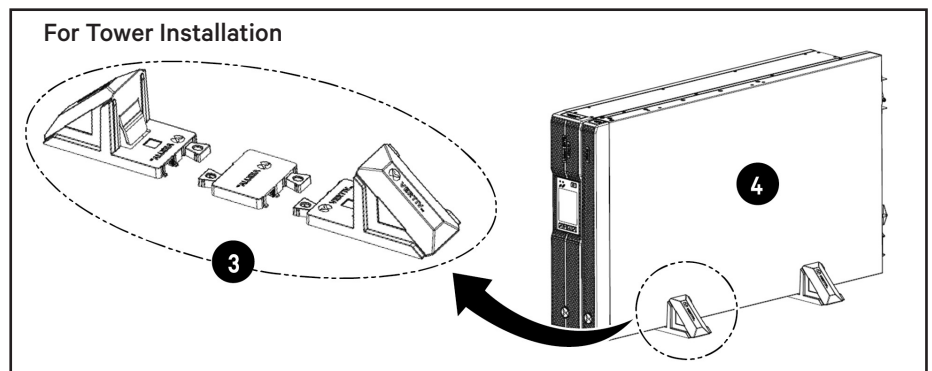
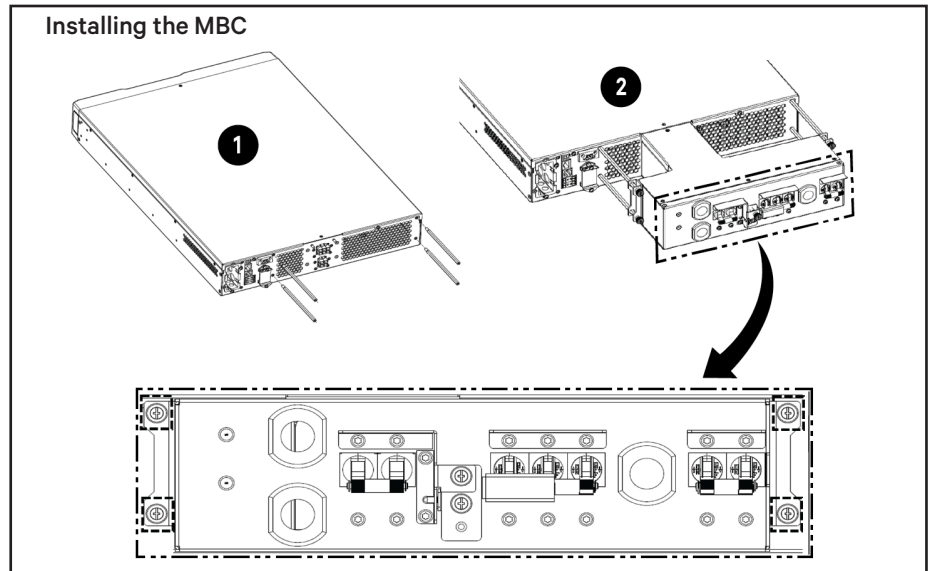


Item	Description	Item	Description
1	Preinstalled network card	8	Input circuit breaker
2	USB port	9	L14-30P input
3	External Battery Cabinet (EBC) communication port (RS-485)	10	L14-30R output
4	REPO connector	11	EBC connector
5	L14-30R output	12	Dry contact communication terminal block
6	Output circuit breaker	13	RS-232 port (used for CLI)
7	Maintenance bypass circuit breaker		

## Installation

The UPS and External Battery Cabinets (EBCs) may be installed in either a tower or rack configuration. The Maintenance Bypass Cabinet (MBC) may be installed first or last when installing in either configuration. Given illustrations depict the installation of the MBC first.

- Installing the MBC:
    1. Screw the four standoffs into the rear of the UPS.
    2. Place the MBC on the UPS and tighten the four screws attached to the MBC onto the standoffs.
  - For Tower Installation:
    3. Assemble the tower support stands and spacers.
    4. Place the UPS and EBCs on the stands.
  - For Rack Installation:
    3. Attach the rack ears with four screws on each side of the UPS.
    4. Attach the slide rail inner guides with four screws on each side of the UPS.
    5. Install the slide rail outer guides in the rack with two screws on the front and two screws on the rear of each guide.
- NOTE:** Align shelf of rack kit with rack U number for proper alignment.
6. Align the inner guides on the UPS with the rail kit outer guides.
  7. Attach the rack ears to the rack with one screw on each side.
  8. Repeat steps 3-7 for each EBC.



## Connections

### 1. Connecting the EBCs

This GXT5 Lithium-Ion UPS has no internal batteries, at least one VEBCLI-192VRT1U EBC is required. Additional EBCs provide longer battery run time for connected devices.

1. Verify that the EBC breaker is in the “Off” position.
2. Connect port B of the EBC cable (included in the package) to the UPS (1a). Connect port A of the EBC cable to port A of the EBC (1b). Connect one end of a communication cable to the UPS RS485 port (1c) and the other end to EBC COM port (1d).
3. If connecting more than one external battery, connect port B of an additional EBC cable to port B on the first EBC (2a) and port A of the EBC cable to port A of the second EBC (2b). Connect one end of a communication cable to COM port of the first EBC (2c) and the other end to the COM port of the second EBC (2d). Connect one end of a

communication cable to CAN port of the first EBC (2e) and the other end to the CAN port of the second EBC (2f).

4. Repeat step 3 for each additional battery cabinet.
5. Set ADDRESS DIP switch on each EBC as per the below table.

EBC Address	DIP Switch Position			
	1	2	3	4
1	OFF	OFF	OFF	OFF
2	OFF	OFF	OFF	ON
3	OFF	OFF	ON	OFF
4	OFF	OFF	ON	ON
5	OFF	ON	OFF	OFF
6	OFF	ON	OFF	ON
7	OFF	ON	ON	OFF
8	OFF	ON	ON	ON

### 2. Connecting AC Power

The UPS has a cord and plug connected using an L14-30P input plug.

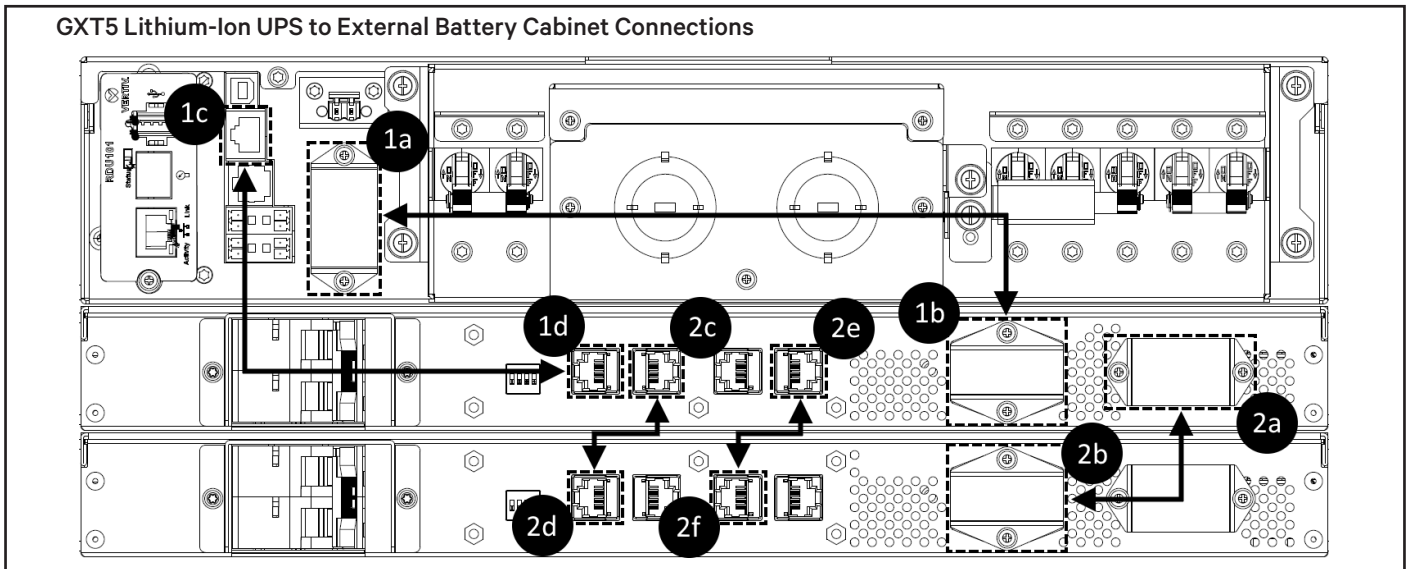
Recommended panel feeder breaker is 30 A.

All the wiring should be done in accordance to all local and national electrical codes.

The UPS is equipped with output receptacles. Connect the equipment to be protected to the output receptacles.

**NOTE:** Allow the batteries to charge at least two hours before first startup to ensure adequate backup time. Allow an additional two hours of charging for each additional EBC, if connected. The batteries charge when the UPS is connected to AC input regardless of whether the UPS is on or off.

GXT5 Lithium-Ion UPS to External Battery Cabinet Connections



### 3. Powering the UPS

**NOTE:** Do not start the UPS until the installation has been completed.

1. Make sure the maintenance bypass breaker is in the open "OFF" position and the guard is secured in place on the rear of the MBC.
2. Make sure the panel feeder breaker is closed.
3. Close the input breaker on the rear of the MBC.
4. Close the output breaker on the rear of the MBC.
5. Close the breakers on the rear of the connected EBC(s).
6. When the UPS is first connected startup guidance screens will appear. Use the Up, Down, and Enter buttons to confirm settings. Then, press and hold the power button to power on the UPS.



**NOTE:** During operation, the UPS may sound an alarm when the output receptacles are not powered. Press and hold the Esc button for two seconds to mute the alarm.

Item	Description
1	Run indicator LED
2	Alarm indicator LED
3	Power button
4	Display screen
5	Escape button
6	Up arrow button
7	Down arrow button
8	Enter button

#### To contact Vertiv Technical Support: visit [www.Vertiv.com](http://www.Vertiv.com)

© 2022 Vertiv Group Corp. All rights reserved. Vertiv™ and the Vertiv logo are trademarks or registered trademarks of Vertiv Group Corp. All other names and logos referred to are trade names, trademarks or registered trademarks of their respective owners. While every precaution has been taken to ensure accuracy and completeness here, Vertiv Group Corp. assumes no responsibility, and disclaims all liability, for damages resulting from use of this information or for any errors or omissions. Specifications, rebates and other promotional offers are subject to change at Vertiv's sole discretion upon notice.

