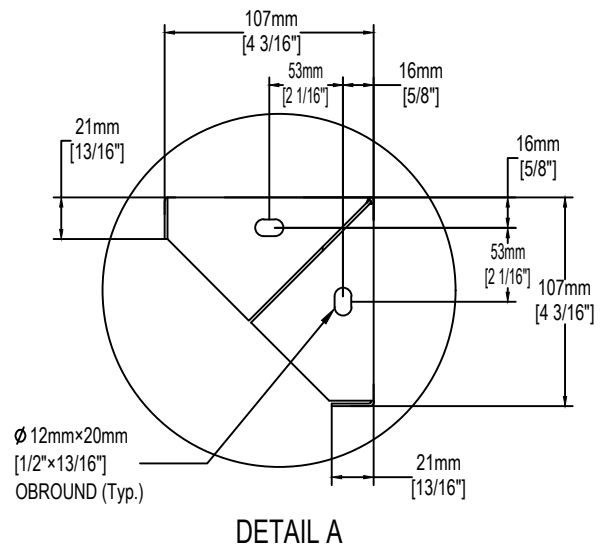
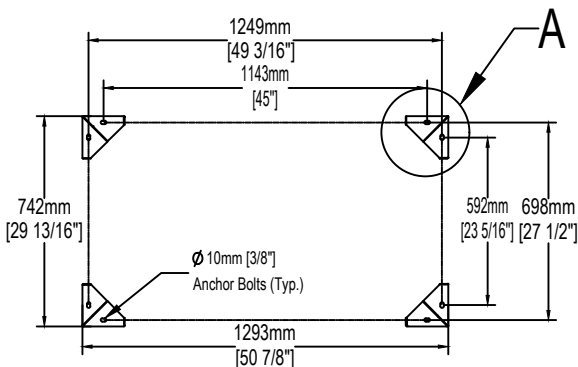
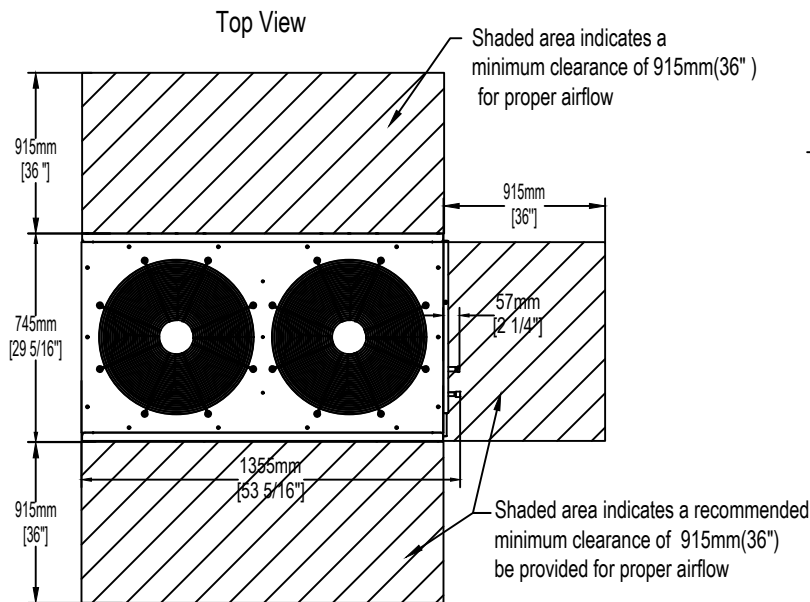
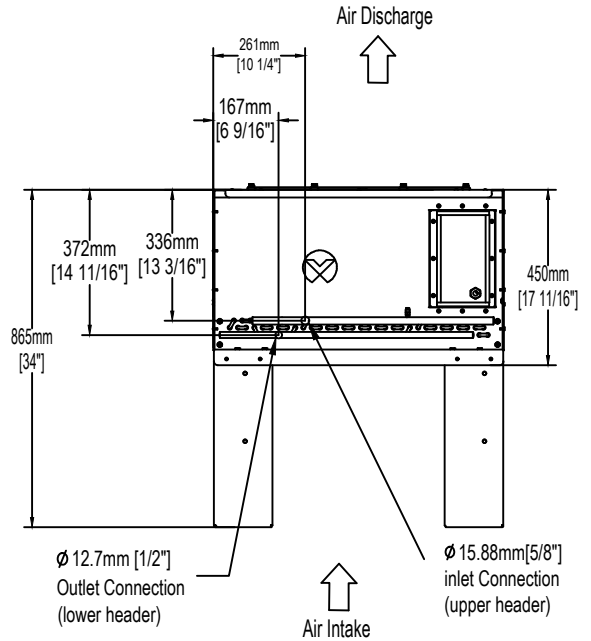
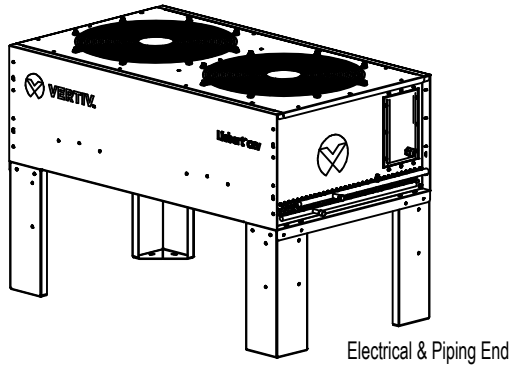




LIEBERT CRV CONDENSER

CABINET & ANCHOR DIMENSIONAL DATA (VERTICAL AIRFLOW)



MODEL #	DRY WEIGHT kg (lb) net	SHIPPING WEIGHT kg (lb) net
60 HZ		
CCD100S	With Stands	With Stands
	60(132)	110(242)

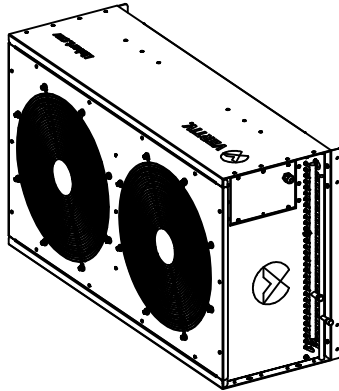
NOTE:

- 1.Low Ambient Kit required for outdoor temperature down to -29.2 °F (-34 °C);
- 2.Low Ambient Kit can only be used on Vertical Airflow Condensers.



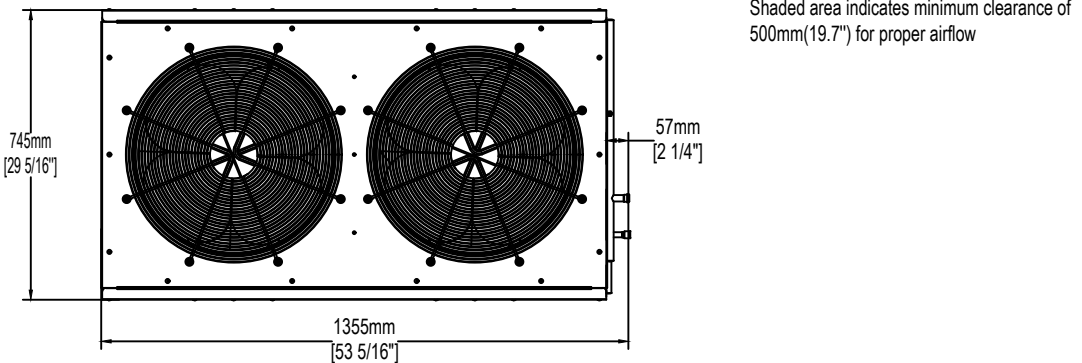
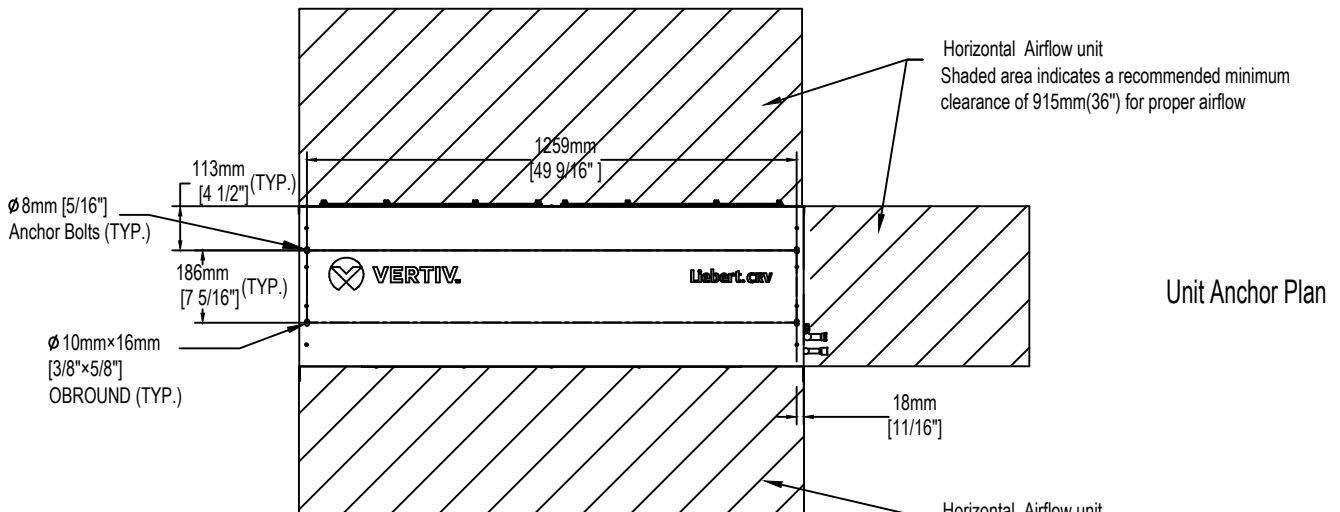
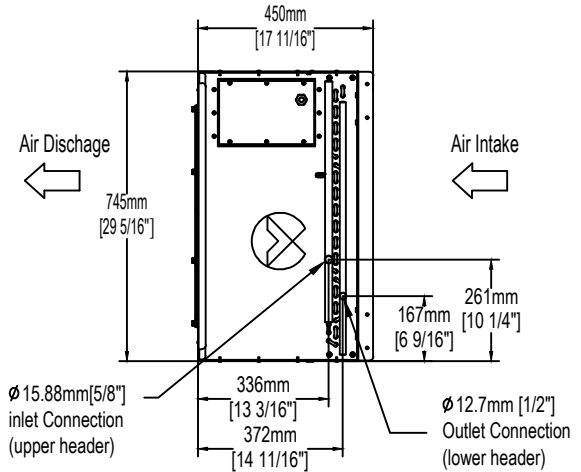
LIEBERT CRV CONDENSER

CABINET & ANCHOR DIMENSIONAL DATA (HORIZONTAL AIRFLOW)



Electrical & Piping End

Top View



MODEL #	DRY WEIGHT kg (lb) net	SHIPPING WEIGHT kg (lb) net
60 HZ		
CCD100S	Without Stands	With Stands
	56(123)	110(242)

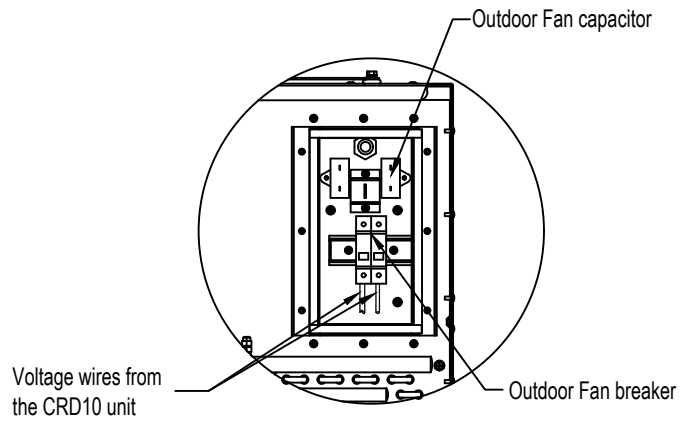
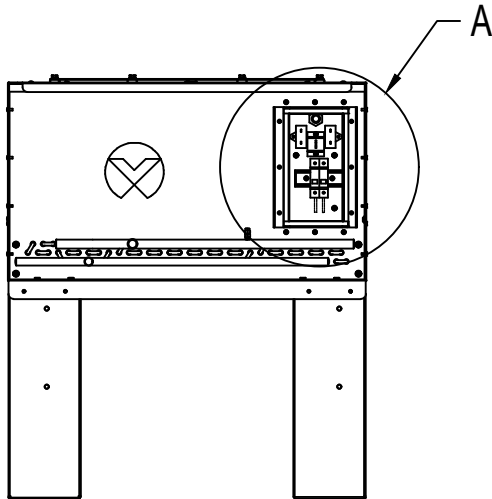
NOTE:

1.Low Ambient Kit can only be applied on Vertical Airflow Condensers.



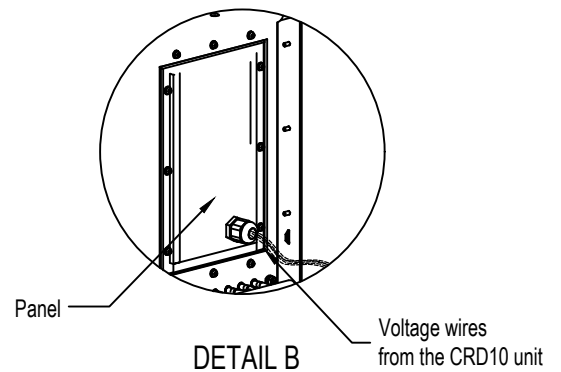
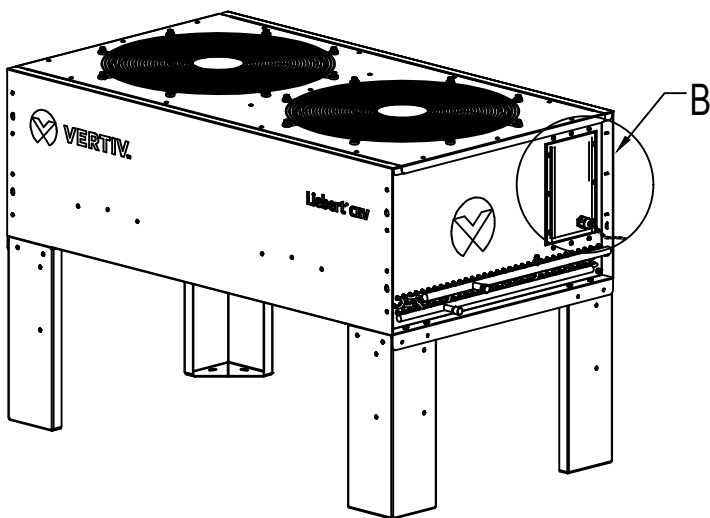
LIEBERT CRV CONDENSER

ELECTRICAL FIELD CONNECTIONS



DETAIL A

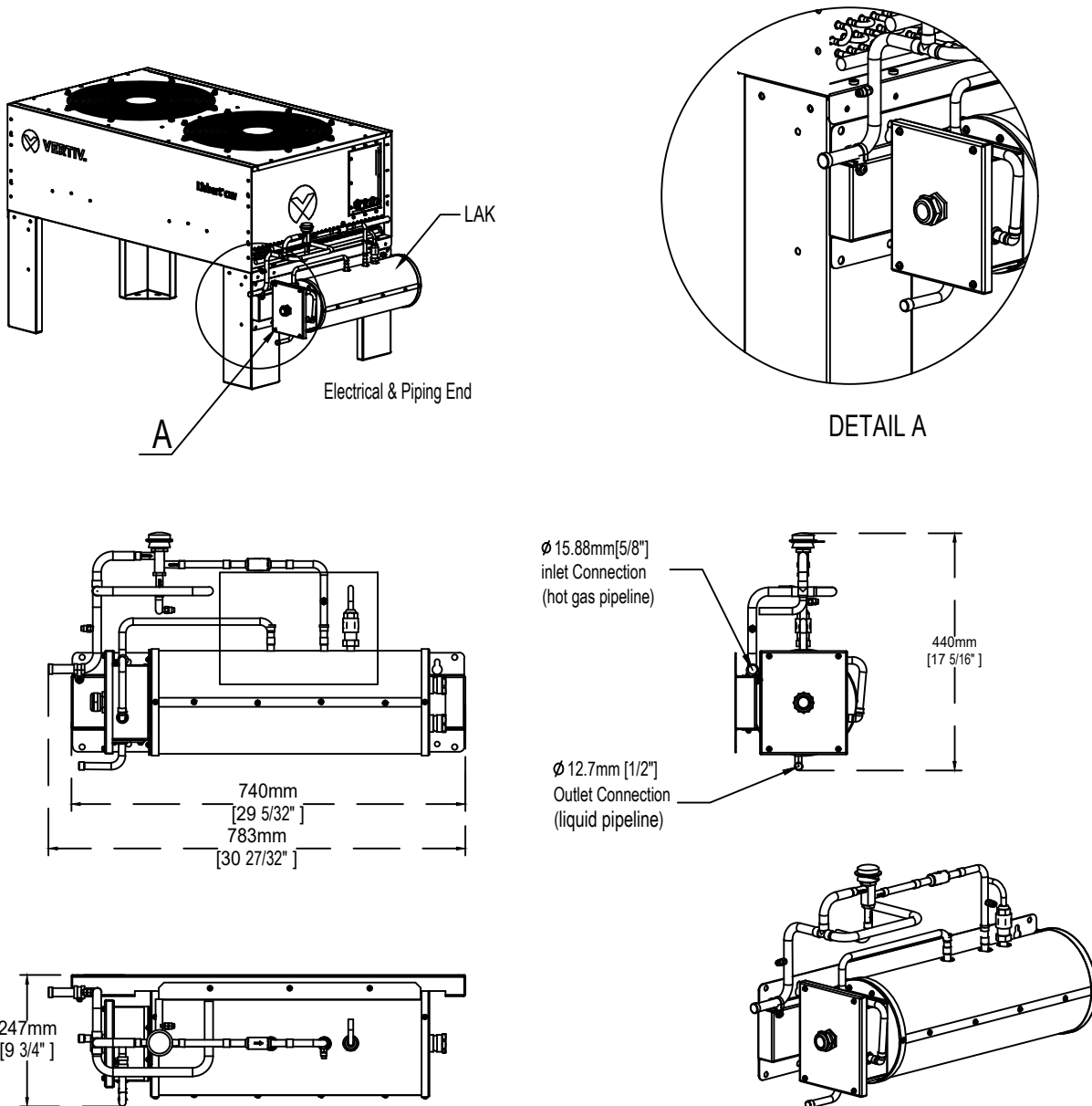
Electrical & Piping End [Panel removed for clarity]
Customer connection location similar for
Vertical and Horizontal Airflow unit



DETAIL B

LIEBERT CRV CONDENSER

Low Ambient Kit (LAK) Dimensional Data



NOTE:

1.Low Ambient Kit can only be applied on Vertical Airflow Condensers.