

Avocent® LRA185 LCD Console Tray



Quick Installation Guide

The Vertiv™ Avocent® LRA185 LCD tray is provided with a pair of slide-rail assemblies, a keyboard, display, slide tray, Cable Management Arm (CMA) and inner slide rails on the LCD console tray.

INSTALLATION

The slide-rail assemblies are marked L for the left-rail assembly and R for the right-rail assembly. The front end of each assembly is marked FRONT to ensure proper installation in the rack.

CAUTION: If you are installing more than one unit concurrently, keep the outer slides matched with the inner slides, which are mounted on the LCD console tray. Rails and LCD console trays that ship together must be paired together. Mismatched pairs may result in damage to the slide-rail assemblies, LCD console tray or rack cabinet.

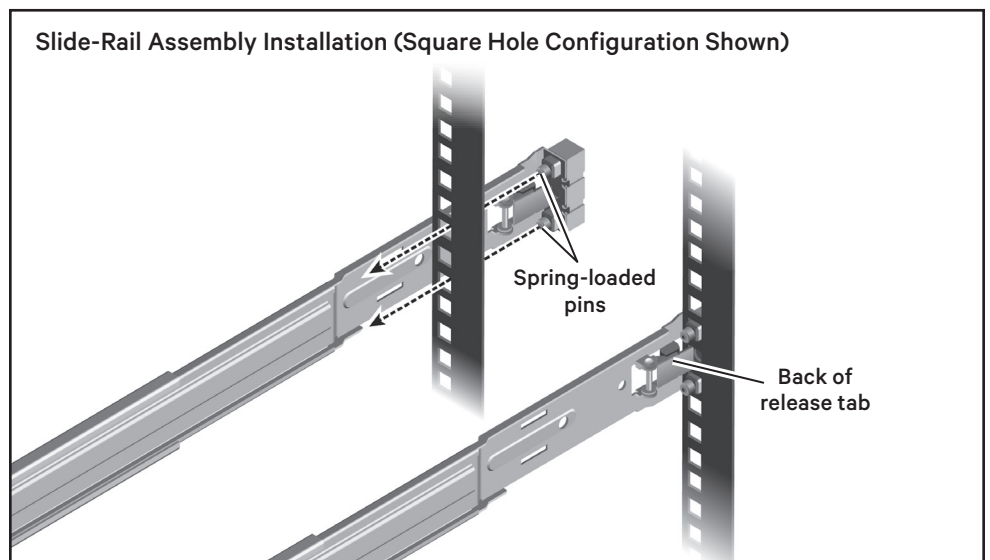
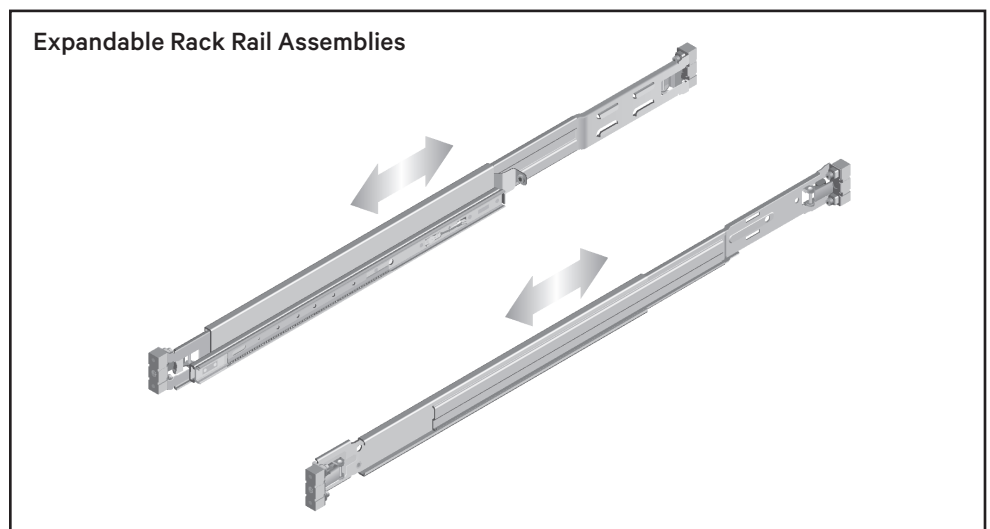
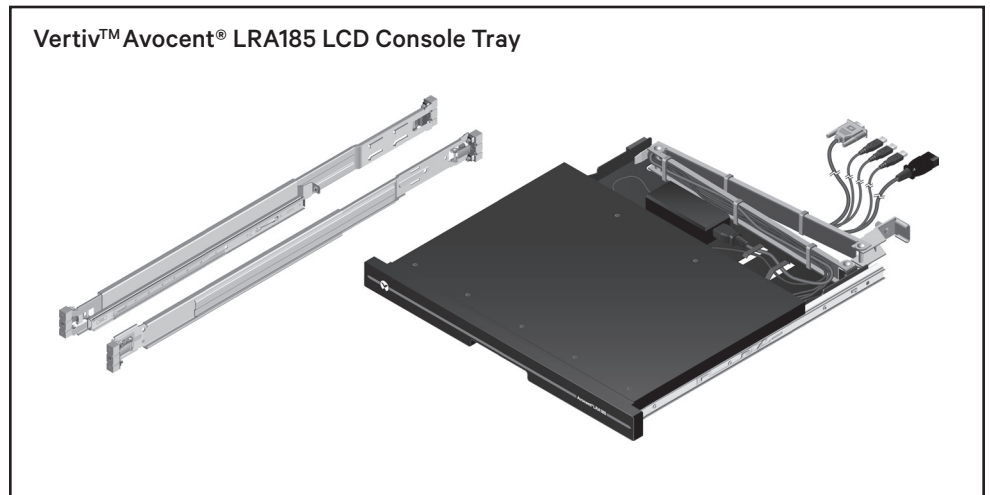
1. Installing the slide-rail assemblies into a standard EIA rack

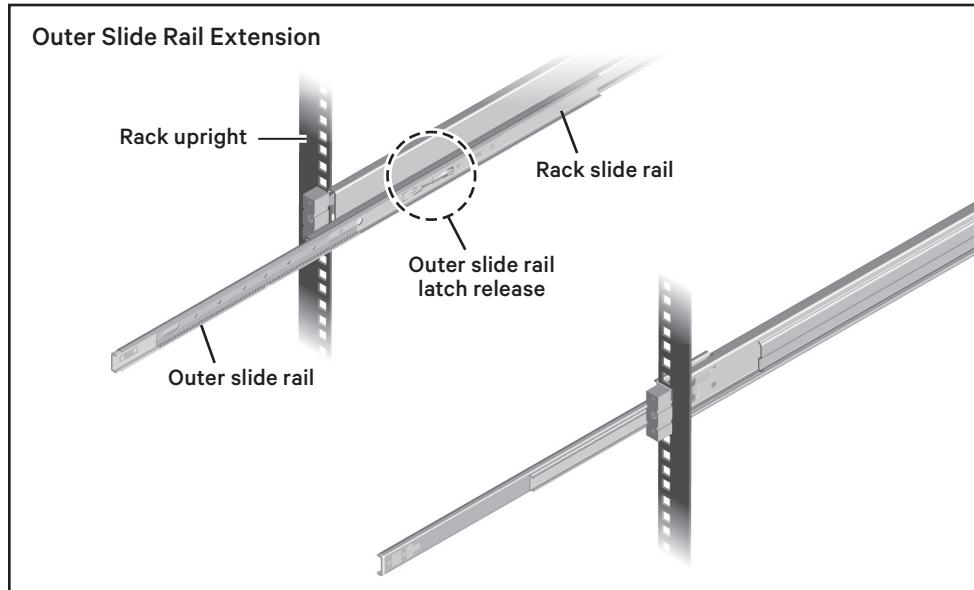
NOTE: The slide-rail mounting mechanism has two spring-loaded pins at each end of the rail assemblies that retract. The pins fit 10-32 threaded holes or EIA-standard square- or round-hole racks. The spring-loaded pins self-adjust to adapt to the rack hole configuration. Each set of spring-loaded sleeves is equipped with release tabs to pull and disengage the slide-rail assembly.

Align the two back spring-loaded pins of the slide-rail assembly with corresponding holes on the rack and pull to secure.

Extend the rail assembly to the appropriate length of the rack. Align the two front spring-loaded pins of the slide-rail assembly with the corresponding holes on the rack and push to secure. The release tabs click to indicate the pins are fully engaged.

Repeat the steps for the rail on the opposite side of the rack.



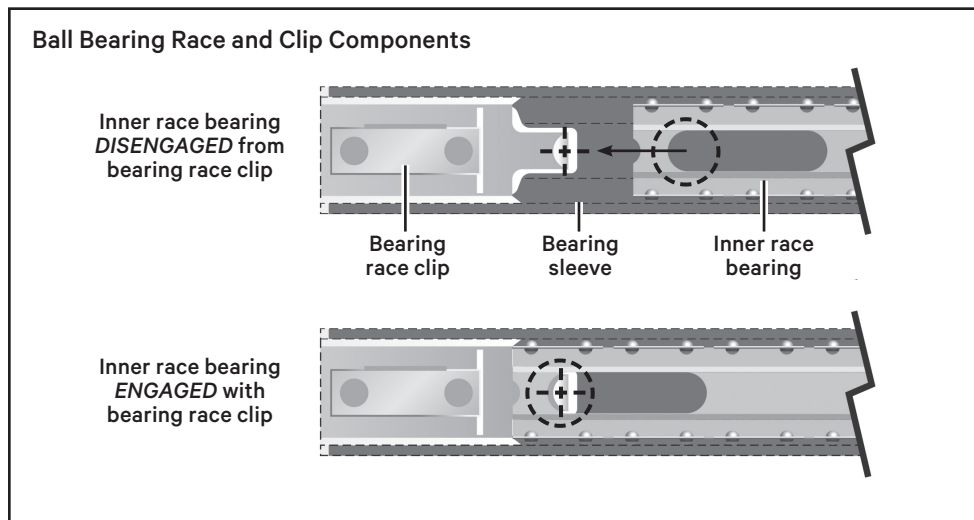


2. Preparing for LCD console tray installation

Unlock and fully extend the outer slide rails by pressing their latch release.

With the outer slide rails fully extended, verify their inner bearing race is fully forward and seated into the plastic bearing race clip.

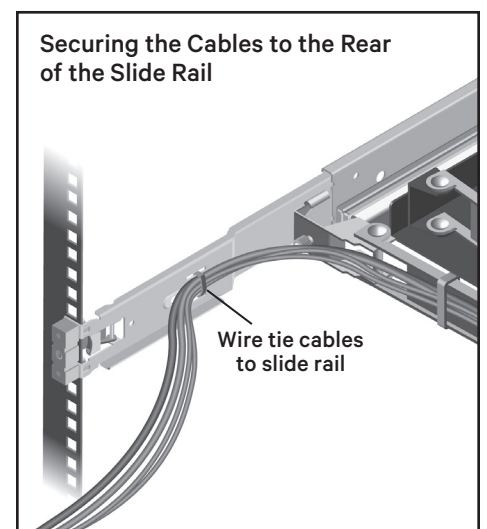
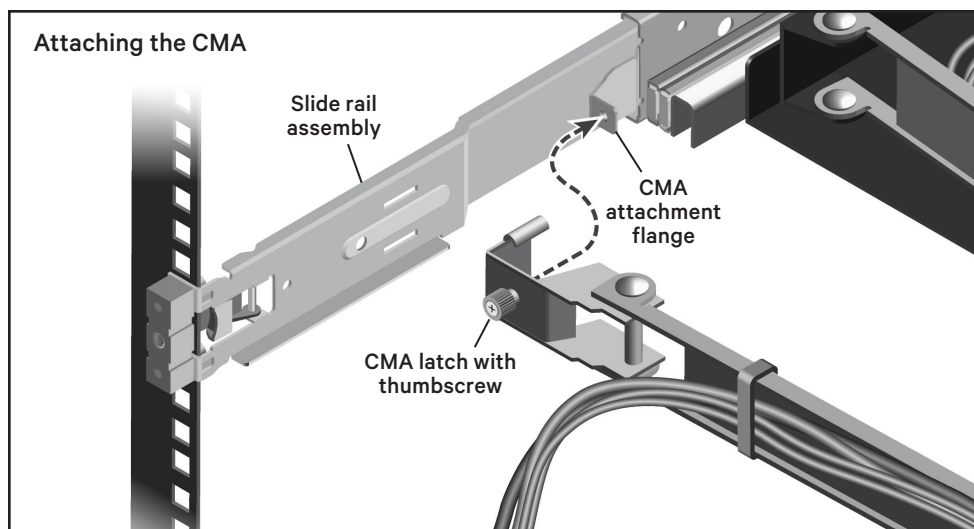
CAUTION: To avoid damage to the slide rails, the outer slide members must be fully extended. Also, the ball-bearing races must be in the forward most position and engaged with the bearing race clip prior to installing the LCD console tray assembly. Incorrect preparation can cause damage to the slide-rail assembly when installing the LCD console tray.

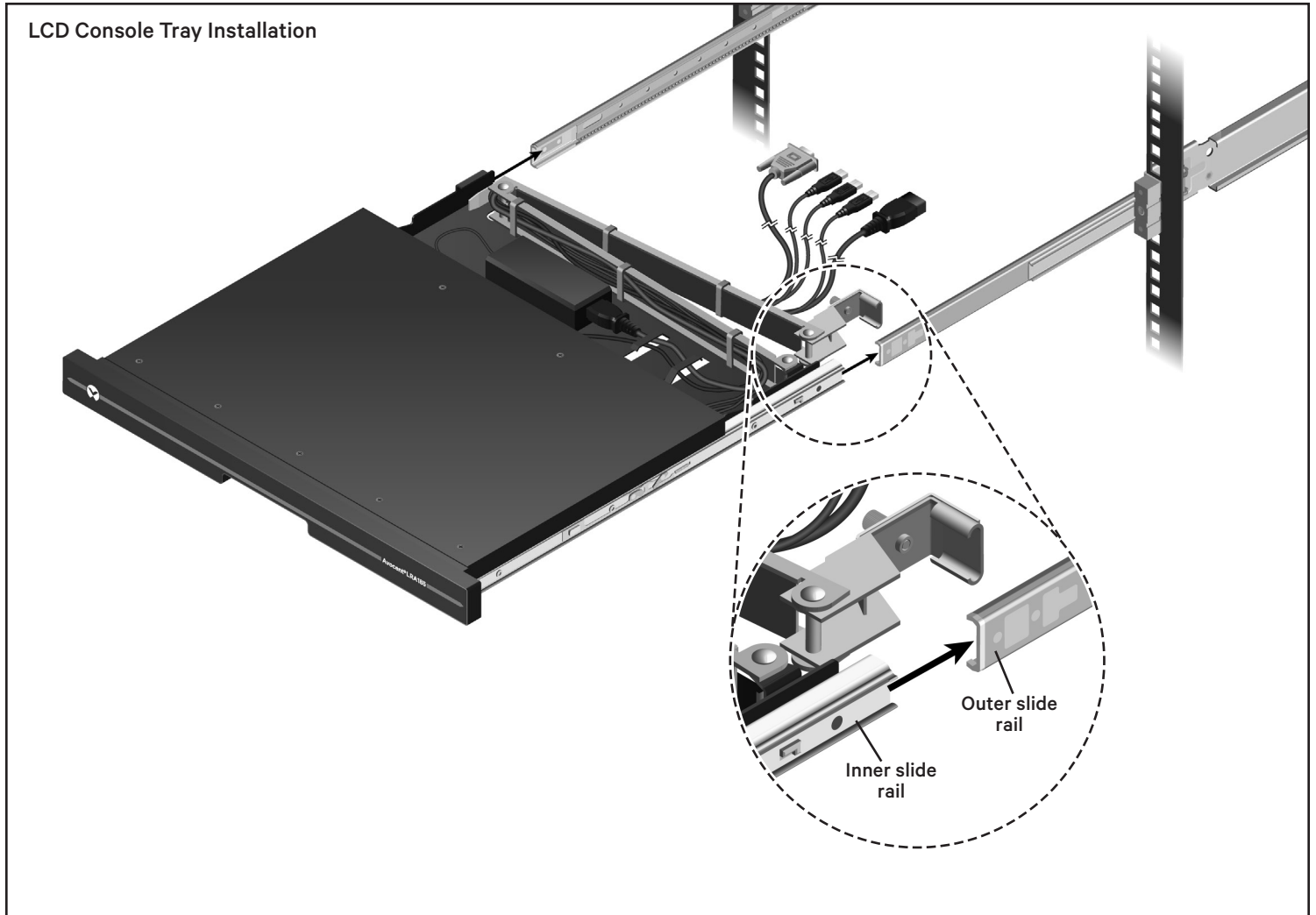


3. Installing the slide tray

NOTE: Ensure the system is properly supported until the inner rails are inserted into the outer slide rails on both sides.

With both the left and right outer slide rails extended, and the bearing races properly seated, align and couple the ends of the inner slide rails (which are affixed to either side of the slide tray) and outer slide rails (see the LCD Console Tray illustration on the following page).





The rails must be properly nested before continuing. If needed, decouple and reposition the slide rail members to achieve correct alignment.

Push the aligned LCD console tray into the rack.

NOTE: Fully extend and retract the LCD console tray at least once to ensure all components are properly seated.

4. Attaching the CMA

Slide the CMA latch over the CMA attachment flange located on the slide rail.

Secure the CMA latch to the CMA attachment flange with the thumbscrew (see the Attaching the

CMA illustration on the previous page).

NOTE: A Phillips head screwdriver can be used to tighten the thumbscrew in tightly-spaced racks.

5. Connecting the LCD console tray to the target device

Connect the video and USB connectors to the target device.

NOTE: Connect to one video source at a time.

Connect the power cord to a properly grounded electrical outlet or power distribution unit (PDU).

Secure the cables to the rear of the slide rail with a wire tie. Make sure the cables are not pulled too tight.

(Optional) Bundle excess cables into a figure-eight loop and secure with a cable strap.

CAUTION: Do not coil the cables. To minimize electrical interference from the video cable, arrange the cables in figure-eight loops.

Video source configuration

The video source is factory set to Auto, which automatically configures for the connected source. No other configuration is required.

VGA shortcuts

If the RGB (VGA) video source is connected, you can tap the Up icon to automatically configure the display and tap the Down icon to automatically adjust the color.

A translated version of this document is available at
<https://www.vertiv.com/en-us/products-catalog/monitoring-control-and-management/itmanagement/avocent-lcd-local-rack-access-console-#/models>.

Eine übersetzte Version dieses Dokuments finden Sie unter
<https://www.vertiv.com/en-us/products-catalog/monitoring-control-and-management/itmanagement/avocent-lcd-local-rack-access-console-#/models>.

Une version traduite de ce document est accessible à l'adresse suivante
<https://www.vertiv.com/en-us/products-catalog/monitoring-control-and-management/itmanagement/avocent-lcd-local-rack-access-console-#/models>.

To contact Vertiv Technical Support: visit www.Vertiv.com

© 2021 Vertiv Group Corp. All rights reserved. Vertiv™ and the Vertiv logo are trademarks or registered trademarks of Vertiv Group Corp. All other names and logos referred to are trade names, trademarks or registered trademarks of their respective owners. While every precaution has been taken to ensure accuracy and completeness here, Vertiv Group Corp. assumes no responsibility, and disclaims all liability, for damages resulting from use of this information or for any errors or omissions. Specifications, rebates and other promotional offers are subject to change at Vertiv's sole discretion upon notice.

