



XTE PTS Ordering Guide

Power Transfer Switches



Table of Contents

Model Comparison	3
PTS (Generator Power up to 200A)	
PE15 Model	4
PE24 Model	6
PESB Model	7
GESB Model	8
CAC Model	9
AC Model	10
PTS with Telco Compartment	
A8 Model	11
Telco Model	11
Side-by-Side Model	12
Combo Cab Model	13
ATS (Generator Power up to 200A)	
ATS Model	20
Additional Information	
Dimensions	20
Pad-Mounting Templates	22
Accessories for All Models	23
Services	23

Note 1: Click on the step above to jump to that page.

Note 2: To return to the Table of Contents, click on the header of any page.

Vertiv™ XTE PTS enclosures are co-located with active electronic enclosures in wireless networks to provide AC power transfer, surge protection, distribution, and T1 terminations for cellular, PCS, and all wireless markets.

Description

The Vertiv XTE PTS Series is a full service power transfer switch designed to provide main service disconnect, AC surge protection, AC distribution and generator connection in a single environmentally protected enclosure.

Application

The Vertiv XTE PTS Series of cabinets is co-located with active electronic enclosures in wireless and wireline telecommunication networks. PTS enclosures provide.

This ordering guide is a sample of our most common configurations. Custom options are available. Just ask.



Overview



Model Comparison

Model	Commercial Power	Generator Power	Gen Inlet Options	AIC Rating	Surge Arrestor	Load Center	GFI	Color Options	Meter Options
PTS (Generator Power up to 100A)									
PE15	60-100A	30-100A	Hubbell	10kAIC 22kAIC 42kAIC	AC Data	12 pos	Optional	Off-White	None Hub and Backplate
PE24	60-100A	30-100A	Hubbell Appleton	10kAIC 22kAIC 42kAIC	AC Data	8-12 pos	None	Off-White Green	Hub and backplate Cutler Hammer
PTS (Generator Power up to 200A)									
PESB	100-200A	30-200A	Crouse-Hinds Hubbell Appleton	10kAIC 22kAIC 42kAIC	AC Data Edco ASCO	8-32 pos	Optional	Off-White Green	None Milbank Durham Siemens Cutler Hammer
GESB (Galvanized Steel)	100-200A	30-200A	Crouse-Hinds Hubbell Appleton	10kAIC 22kAIC 42kAIC	AC Data Edco ASCO	8-32 pos	Optional	Off-White Green	None Milbank Durham Siemens Cutler Hammer
CAC	100-200A	30-200A	Appleton Hubbell	10kAIC 65kAIC	ASCO	24-30 pos	None	Off-White	None
PTS (Generator Power, 200A)									
AC Model	200A	200A	None Appleton	10kAIC 22kAIC	ASCO	24 pos	None	Off-White	None
PTS with Telco Compartment (Generator Power up to 200A)									
A8	100-200A	100-200A	None Hubbell Appleton Crouse-Hinds	10kAIC 22kAIC 42kAIC 65kAIC	AC Data Atlantic Scientific	12 pos	None	Off-white	10" 20"
Telco Model	N/A	N/A	N/A	N/A	N/A	N/A	Yes	Off-white	10" 20"
Side-by-Side PPC	100A-200A	100A-200A	Appleton	10kAIC 22kAIC	ASCO	12-24 pos	Optional	Off-white	10" 20"
Combo Cap	200A	200A	Appleton	65kAIC	ASCO	24 pos	None	Off-white	10" 20"
ATS (Generator Power up to 200A)									
ATS	100-200A	100-200A	-	-	-	-	-	Off-white	-

PTS (Generator Power up to 200A)

PE15 Model

- Developed for wireline applications but well suited for wireless too.
- Compact design allows for low profile mounting.
- Meter housing placement option.

Technical Specifications

Cabinet Dimensions	16.75"H x 18.75"W x 11"D
Exterior Material	Powder-coated aluminum
Mounting	Wall or Pole
Cabinet Enclosure Type	NEMA 3R
Operating Voltage	120/240 VAC, single phase, 3 wire and ground
Service	60-100A
Disconnect	Interlock toggle switch
AIC Rating	10kAIC 22kAIC 42kAIC
Load Center	12-position
Standby Power Receptacle	30-100A
TVSS with Indicator Lights	AC DATA AC2100-F-NA-07
Security (padlockable)	Single-point locking mechanism secured with a padlock hasp
Safety Compliance	UL 891, dead front switchboards



PE15 Model

Catalog Number	Part Number	Description
PE15MBCDEBF1H1	F1010981	PE15, 60 A generator, bottom inlet, off-white
PE15MBBDEBYZH1	F1005090	PE15, 100 A generator, bottom inlet, off-white

Custom configurations available. Call 800-800-1280 or email AccountManagement.ESNA@Vertiv.com for more information.

Vertiv™ — a complete spectrum of best-in-class reliable power, precision environmental and connectivity solutions for today's telecommunications and data network infrastructure.

PE24MC Model

- Developed for wireline applications but well suited for wireless too.
- Compact design allows for low profile mounting.
- Meter housing placement option.



PE24 Model

Technical Specifications

Cabinet Dimensions	"24"H x 19.09"W x 11.16"D
Exterior Material	Powder-coated aluminum
Mounting	Wall, pole, or pad mount
Cabinet Enclosure Type	NEMA 3R
Operating Voltage	120/240 VAC, single phase, 3 wire and ground
Service	100A
Disconnect	Slide bar
AIC Rating	22kAIC 42kAIC
Load Center	8-position 12-position
Standby Power Receptacle	30A 50A 100A
TVSS with Indicator Lights	AC Data AC2050M-07
Security (padlockable)	Pad Lockable quarter turn latch
Safety Compliance	UL 891, dead front switchboards

Catalog Number	Part Number	Description
2PE24MCBBRCRF3ZMHA1	F1007443	PE24, right inlet, off-white
2PE24MCBBHRF3ZMHA1	F1008447	PE24, left inlet, off-white

Accessories

PE24WIKIT	F1007445	PE24 wall-mounting kit, off white
PE24WGKIT	F1007838	PE24 wall-mounting kit, green
PE24PIKIT	F1007446	PE24 pole-mounting kit, off white
PE24PGKIT	F1007839	PE24 pole-mounting kit, green
PE24EXT6	F1007830	PE24 6" pad-mounting kit (pedestal including template), off-white
PE24EXT6G	F1007840	PE24 6" pad-mounting kit (pedestal including template), green
PE24TEMP	F1007831	PE24MC Pad Mounting Template

Custom configurations available. Call 800-800-1280 or email AccountManagement.ESNA@Vertiv.com for more information.

XTE PTS Ordering Guide

PE24ME Model

- Developed for wireline applications but well suited for wireless too.
- Compact design allows for low profile mounting.
- Meter housing placement option.



PE24 Model

Technical Specifications

Cabinet Dimensions	30"H x 18.8"W x 10.8"D
Exterior Material	Powder-coated aluminum
Mounting	Wall, pole, or pad mount
Cabinet Enclosure Type	NEMA 3R
Operating Voltage	120/240 VAC, single phase, 3 wire and ground
Service	100A
Disconnect	Interlock toggle switch
AIC Rating	"22kAIC 42kAIC"
Load Center	"8-position 12-position"
Standby Power Receptacle	"30A 50A 100A"
TVSS with Indicator Lights	AC Data AC2050M-07
Security (padlockable)	Pad Lockable quarter turn latch
Safety Compliance	UL 891, dead front switchboards

Catalog Number	Part Number	Description
4PE24MEBBCRF3ZMEZ1	F1007447	PE24 off-white, 100/100
4PE24MEBBCRF3ZMEZ2	F1007553	PE24 green, 100/100
4PE24MEBENRF3ZMEZ1	F1008879	PE24 off white, 100/50
4PE24MEBENRF3ZMEZ2	F1008880	PE24 green, 100/50

Accessories

PE24MEEXT6	F1007448	PE24 pad-mounting kit (pedestal including template), off-white
PE24MEEXT6G	F1007964	PE24 pad-mounting kit (pedestal including template), green
PE24METEMP	F1007554	PE24ME pad mounting template
PE24WGKIT	F1007838	PE24 Wall mounting kit, green
PE24WIKIT	F1007445	PE24 wall-mounting kit, off-white
PE24MESR8	F1008238	8" bottom shroud, off-white
PE24MESRG	F1008239	8" bottom shroud, green
PE24MESR22	F1008241	22" bottom shroud, off-white
PE24MESR22G	F1008242	22" bottom shroud, green
PE24MEEXT8	F1008243	8" pad-mounting kit, off-white (pedestal including template)
PE24MEEXT8G	F1008244	8" pad-mounting kit, green (pedestal including template)
PE24MEEXT22	F1008245	22" pad-mounting kit, off-white (pedestal including template)
PE24MEEXT22G	F1008246	22" pad-mounting kit, green (pedestal including template)
PE24ME5HOOD	F1008247	5" hood meter cover, off-white
PE24ME5HOODG	F1008248	5" hood meter cover, green

Custom configurations available. Call 800-800-1280 or email AccountManagement.ESNA@Vertiv.com for more information.

PESB Model

Power Entrance Slide Bar (PESB) pedestals are constructed from durable, yet light weight aluminum and are rated up to 22,000 amps AIC.

- Developed for wireline applications but well suited for wireless too.
- Meter housing placement option.
- Widely accepted within local power companies.



PESB Model

Technical Specifications

Cabinet Dimensions	43.13"H x 21.98"W x 7.41"D
Exterior Material	Powder-coated aluminum
Mounting	Pole and pad mount
Cabinet Enclosure Type	NEMA 3R
Operating Voltage	120/240 VAC, single phase, 4 wire and ground 208/240VAC, three phase, 3 wire and ground
Service	60A 100A 200A
Disconnect	Slide bar
AIC Rating	10kAIC 22kAIC 42kAIC
Load Center	8-position 12-position 24-position 32-position
Standby Power Receptacle	30A 60A 100A 200A
TVSS with Indicator Lights	Multiple options
Security (padlockable)	1/4 turn latch, padlockable
Safety Compliance	UL 891, dead front switchboards

Catalog Number

Part Number

Description

22PESBBBCRB12PHB1AM	F1003269	PESB, 22,000 AIC, 100/100, 4100B12W (Hubbell 100amp), right inlet, off-white
22PESBBBHRD5ZFHA1	F1007029	PESB, 22,000 AIC, 100/100, 4100B9W (Hubbell 100amp), right inlet, off-white
22PESBABHRD5ZFHA1	F1007748	PESB, 22,000 AIC, 200/100, 4100B9W (Hubbell 100amp), right inlet, off-white
22PESBBDERX12FHA1	F1006649	PESB, 22,000 AIC, 100/30, 2715 (Hubbell 30amp), right inlet, off-white
22PESBBBRRX12FHA1G	F1006651	PESB, 22,000 AIC, 100/100, AR1042-S22 (Crouse Hinds 100amp), right inlet, off-white

Accessories

PEILMTGBRK	F1003687	Mounting Brackets - Stainless steel frame for 5-in. concrete form (for use with PEILRPEILTEMP)
PEILIE6	F1002885	Base Extenders - Off white aluminum extender to raise the pedestal 6-in. above pad level
PEILPIKIT	F1003828	Pole Mounting Kits - Off White aluminum Pole-Mounting Kit with bottom for Power Transfer Switch
PEILRPEILTEMP	F1003695	Aluminum pad-mounting template, J-bolts and hardware (see drawing)

Custom configurations available. Call 800-800-1280 or email AccountManagement.ESNA@Vertiv.com for more information.

XTE PTS Ordering Guide

GESB Model

Galvanized Entrance Slide Bar (GESB) pedestals are constructed from rugged galvanized steel and are rated up to 42,000 amps AIC.

- Developed for wireline applications but well suited for wireless too
- Galvanized construction
- No meter housing placement (must be remote mounted)



GESB Model

Technical Specifications

Cabinet Dimensions	43.13"H x 24"W x 8.5"D
Exterior Material	Galvanized Steel
Mounting	Pole and pad mount
Cabinet Enclosure Type	NEMA 3R
Operating Voltage	120/240 VAC, single phase, 4 wire and ground 208/240VAC, three phase, 3 wire and ground
Service	60A 100A 200A
Disconnect	Slide bar
AIC Rating	10kAIC 22kAIC 42kAIC
Load Center	8-position 12-position 24-position 32-position
Standby Power Receptacle	30A 60A 100A 200A
TVSS with Indicator Lights	Multiple options
Security (padlockable)	1/4 turn latch, padlockable
Safety Compliance	UL 891, dead front switchboards

Catalog Number	Part Number	Description
42GESBAASLE22JAZ7	F1004389	GESB, 42,000 AIC, 200/200, HBL4200RS1WR (Hubbell 200amp), left inlet, off-white
42GESBAAZZE22JAZ7	F1004412	GESB, 42,000 AIC, 200/200, no inlet, off-white
42GESBAAWLJ22JAZ7	F1004395	GESB, 42,000 AIC, 200/200, HBL5200RS1WR (Hubbell 200amp 3 Phase), left inlet, off-white

Accessories

GESBTEMP	F1004492	Galvanized pad-mounting template (see drawing)
----------	----------	--

Custom configurations available. Call 800-800-1280 or email AccountManagement.ESNA@Vertiv.com for more information.

CAC Model

- Telco demarcation with optional telco cabinet.
- Mechanical interlock prevents simultaneous use of utility and generator power.
- Brute force metal oxide varistor surge suppression with easy to read LED and remote status indication.
- 3-point door closure with continuous hinge and heavy duty door gasket.
- UL891 listed rain/drip hood provides protection against the elements.



CAC Model

Technical Specifications

Cabinet Dimensions	39.00" H x 20.00" W x 10.00" D
Exterior Material	Powder-coated aluminum
Mounting	Wall, pole, or pad mount
Cabinet Enclosure Type	NEMA 3R
Operating Voltage	120/240 VAC, single phase, 3 wire and ground
Service	100A 200A
Disconnect	Slide bar mechanical interlock
AIC Rating	10kAIC 22kAIC 65kAIC
Load Center	12-position 24-position
Standby Power Receptacle	100A 200A
TVSS with Indicator Lights	Metal oxide Varistors (MOV) (160kA/Phase)
Security (padlockable)	3-point door closure with 1/4 turn handle
Safety Compliance	UL 891, dead front switchboards

Catalog Number	Part Number	Description
CAC-A22204090		100A slide bar transfer device, 24-position load center, ADR1044RS, MOV
CAC-A45201090		200A slide bar transfer device, 24-position load center, AR2044RS, MOV
CAC-A45201190		200A slide bar transfer device, 24-position load center, AR20044RS with 45 degree angle adapter, MOV
CAC-A75201090		200A slide bar transfer device, 30-position load center, AR20044RS

Custom configurations available. Call 800-800-1280 or email AccountManagement.ESNA@Vertiv.com for more information.

PTS (Generator Power, 200A)

AC Model

- Manual transfer switch.
- Transient Voltage Surge Suppression (TVSS).
- Generator receptacle.
- Load center.
- Neutral-ground bonding point.
- Optional telco cabinet.

Technical Specifications

Cabinet Dimensions	59.00" H x 24.00" W x 10.00" D
Exterior Material	Powder-coated aluminum
Mounting	Wall or pad mount
Cabinet Enclosure Type	NEMA 3R
Operating Voltage	120/240 VAC, single phase, 3 wire and ground
Service	200A 100A
Disconnect	Interlock toggle switch
AIC Rating	10kAIC 22kAIC
Load Center	12-position 24-position
Standby Power Receptacle	100A
TVSS with Indicator Lights	ASCO 4M120V
Security (padlockable)	3-point door closure with 1/4 turn handle
Safety Compliance	UL 891, dead front switchboards



Front door closed (left), interior deadfront panel open (middle) and deadfront panel closed (right)

Catalog Number	Part Number	Description
BN232W000	F1009598	200A mechanical transfer device, 24-position load center, SAD/MOV
BS2S2W000	F1009593	200A mechanical transfer device, 24-position load center, AR20044RS, SAD/MOV

Custom configurations available. Call 800-800-1280 or email AccountManagement.ESNA@Vertiv.com for more information.

PTS With Telco Compartment (Generator Power up to 200A)

A8 Model

- Designed specifically for wireless applications.
- Underneath telco section allows for T1 demarcation.
- Compact design maximizes area on site.



A8 Model

Technical Specifications

Cabinet Dimensions	48"H x 30"W x 13.5"D
Exterior Material	Powder-coated aluminum
Mounting	Pad mount
Cabinet Enclosure Type	NEMA 3R
Operating Voltage	120/240 VAC, single phase, 3 wire and ground
Service	100A, 200A
Disconnect	Slide bar
AIC Rating	10kAIC, 22kAIC, 42kAIC, 65kAIC
Load Center	12-position
Standby Power Receptacle	100A, 200A
TVSS with Indicator Lights	AC Data, Atlantic Scientific
Security (padlockable)	3-point door closure with 1/4 turn handle
Safety Compliance	UL 891, dead front switchboards

Catalog Number	Part Number	Description
ESBA8ADTZN7	F1004100	A8, 10,000 AIC, ESB, 26-in. power compartment, 10-in. telco compartment, 200/200, AR20034RS (Appleton 200amp), off white
ESBA8BBHFN7	F1004085	A8, 10,000 AIC, ESB, 26-in. power compartment, 10-in. telco compartment, 200/100, 4100B12W (Hubbell 100amp), off white
ESBA8CLTZN7	F1009643	A8, 10,000 AIC, ESB, 26-in. power compartment, 10-in. telco compartment, 100/100, ADR1034RS (Appleton 100amp), off white

Accessories

A8EXT	F1003921	Extender and template for pad mounting
-------	----------	--

Technical Specifications

Cabinet Dimensions	59.00"H x 24.00"W x 20.00"D
Exterior Material	Powder-coated aluminum
Mounting	Wall or pad mount
Cabinet Enclosure Type	NEMA 3R
Remote Indication (optional)	8-position terminal block with wire harness
Grounding	12 position, double lug master ground bar
Security (padlockable)	3- point latching handle
Safety Compliance	NEMA 3R

*Install neoprene base gasket when pad mounting.

**Fan leads must be connected to power using the wire harness provided, 120 VAC, 10A breaker.

***All penetrations of the cabinet must utilize NEMA 3R rated components to maintain the cabinet rating.

Catalog Number	Description
TNN00W201	20" telco cabinet with TCS-T1DS
TNN00W238	20" telco cabinet (no TCS-T1DS)
TNN00W270	20" telco cabinet with 2000048 multi T1, isolated ground (no terminal block)
TNN00W101	10" telco cabinet with TCS-T1DS

Custom configurations available. Call 800-800-1280 or email AccountManagement.ESNA@Vertiv.com for more information.

Telco Model

- Wall-mount or grade Level.
- Transient voltage surge suppressor for telco T1 service optional.
- Terminal block with remote indication.
- Plywood back board.
- Cooling fan with thermostat.
- Metal mesh electrostatic air filter.
- NEMA 3R rainproof.



XTE PTS Ordering Guide

Side-by-Side Model

- AC and telco demarcation together.
- Manual transfer switch.
- Transient Voltage Surge Suppression (TVSS).
- Generator receptacle.
- Load center.
- Neutral-ground bonding point.

NOTE: For cabinet specifications, refer to the AC and Telco Models on the following pages.



Side-by-Side Model

Technical Specifications

Cabinet Dimensions	48"H x 30"W x 13.5"D
Exterior Material	Powder-coated aluminum
Mounting	Wall or pad mount
Cabinet Enclosure Type	NEMA 3R
Operating Voltage	120/240 VAC, single phase, 3 wire and ground
Service	200A 100A
Disconnect	Interlock toggle switch
AIC Rating	10kAIC 22kAIC
Load Center	12-position 24-position
Standby Power Receptacle	100A
TVSS with Indicator Lights	ASCO 4M120V
Security (padlockable)	3-point door closure with 1/4 turn handle
Safety Compliance	UL 891, dead front switchboards

Catalog Number

Description

NS2S2-W201	200A mechanical transfer device, 24-position load center, AR20044RS, SAD/MOV with 20" telco cabinet (no TCS-T1DS)
NS2S1-W203	200A mechanical transfer device, 24-position load center, AR20033RS with 45 degree angle adapter, SAD/MOV with 20" telco cabinet, fire retardant plywood backboard
NS2S1-W101	200A mechanical transfer device, 24-position load center, AR20044RS, SAD/MOV with 10" telco cabinet
LS2S1-W201	100A mechanical transfer device, 12-position load center, PM4100B12W, SAD/MOV with 20" telco cabinet

Custom configurations available. Call 800-800-1280 or email AccountManagement.ESNA@Vertiv.com for more information.

Combo Cab Model

- Designed specifically for wireless applications.
- Underneath telco section allows for T1 demarcation.
- Compact design maximizes area on site.



Combo Cab Model

Technical Specifications

Cabinet Dimensions	66"H x 30"W x 10"D 60"H x 25"W x 10"D
Exterior Material	Powder-coated aluminum
Mounting	Wall, H-frame, bracket, or pad mount
Cabinet Enclosure Type	NEMA 3R
Operating Voltage	120/240 VAC, single phase, 3 wire and ground
Service	200A
Disconnect	Slide bar
AIC Rating	65kAIC
Load Center	24-position
Standby Power Receptacle	200A
TVSS with Indicator Lights	ASCO 4M120V
Security (padlockable)	3- point latching handle
Safety Compliance	UL 891 dead front switchboards

Catalog Number	Part Number	Description
CS2S2-W736	-	200A slide bar transfer device, 24-position load center, AR20044RS SAD/MOV, over/under
CS7S2-W836	F1009123	200A slide bar transfer device, 24-position load center, AR20044RS MOV, over/under

Catalog Number Definition

Option	Code	Meaning	Description
Cabinet Configuration	C	=	200A (65kAIC with slide bar)
Generator Receptacle	S	=	AR20044RS (Appleton 200A)
TVSS Level	7	=	MOV only (1 - 6M120V/phase) 200kA/Phase
TVSS Connection	S	=	Standard (breaker)
Load Center	2	=	24 position
Mounting Options	W	=	Wall / in-line cabinets
Dimensions (H x W x D)	7	=	66" x 30" x 10" (30" high for AC; 36" high for telco)
	8	=	60" x 25" x 10" (30" high for AC; 30" high for telco)
Auxiliary Options	36	=	Left side (when facing cabinet)

aTS (Generator Power, up to 200A)

ATS Model

- ASCO 300 Series switch.
- Hinged deadfront panel with wind latch.
- 200A main breaker for normal power.
- ATS controller.
- Isolated neutral assembly.
- ATS contactor.
- Ground bar.
- Conduit access panel.
- 11BG engine exerciser.



ATS Model

Technical Specifications

Cabinet Dimensions	43.2"H x 18.0"W x 9.0"D
Exterior Material	Powder-coated aluminum
Mounting	Wall or pad mounted
Cabinet Enclosure Type	NEMA 3R
Operating Voltage	120/240 VAC, single phase, 3 wire and ground
Service	100A 200A
Disconnect	ASCO 300 Series automatic transfer switch
AIC Rating	
Load Center	None
Standby Power Receptacle	None
Security (padlockable)	3- point latching handle
Safety Compliance	UL 891

Catalog Number	Part Number	Description
A100C	F1007034	100Amp ATS stand alone module (remote mount)
A200C	F1007035	200Amp ATS stand alone module (remote mount)
ATSTEMP	F1007036	Pad mounting template for ATS modules
ATSXI	F1007484	Bottom for ATS when wall mounting

Custom configurations available. Call 800-800-1280 or email AccountManagement.ESNA@Vertiv.com for more information.

Dimensions

Figure 1 - 16.75"H x 18.75"W x 11"D

PE15 Model

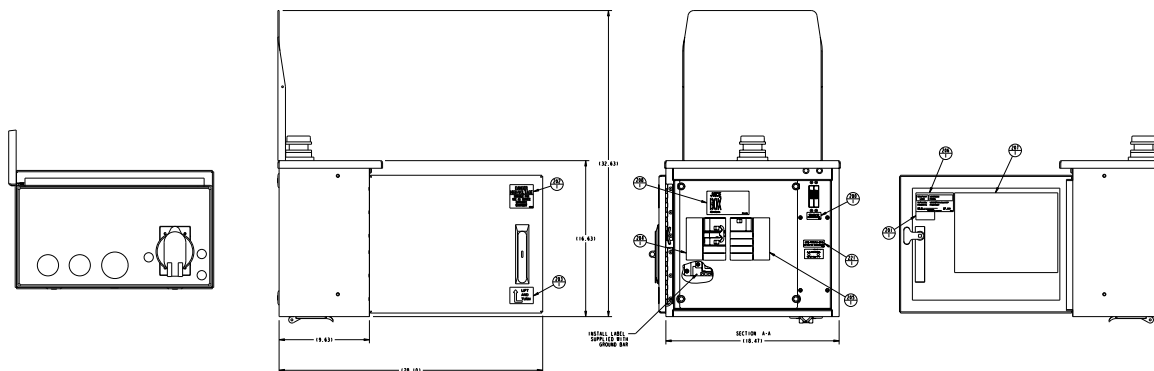


Figure 2 - 24"H x 19.09"W x 11.16"D

PE24MC Model (22,000 AIC)

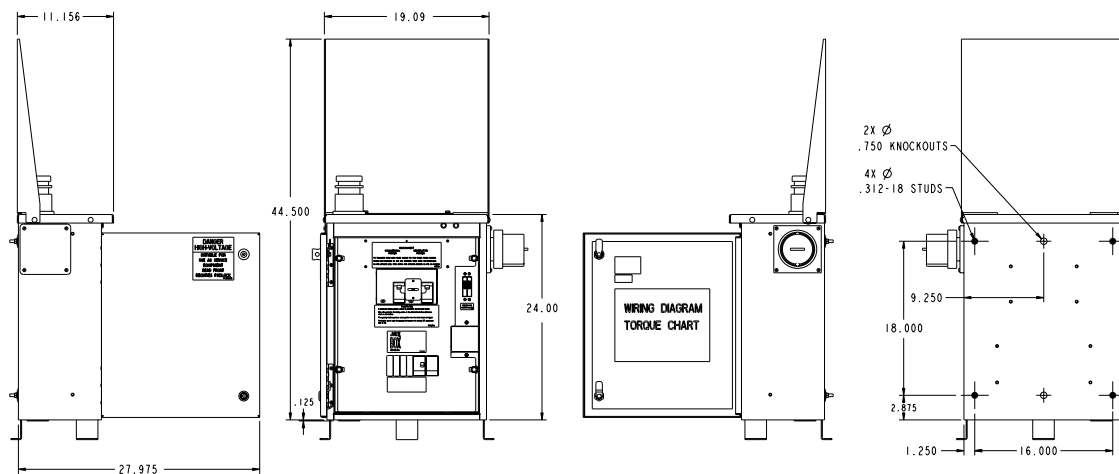
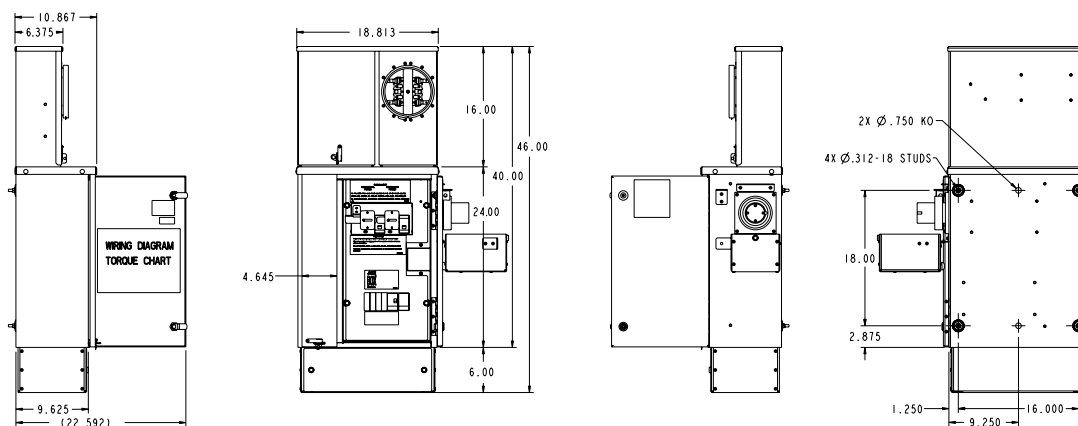


Figure 3 - 30"H x 18.8"W x 10.8"D

PE24ME Model (42,000 AIC)



XTE PTS Ordering Guide

Dimensions

Figure 4 - 43.13"H x 21.98"W x 7.41"D

PESB Model

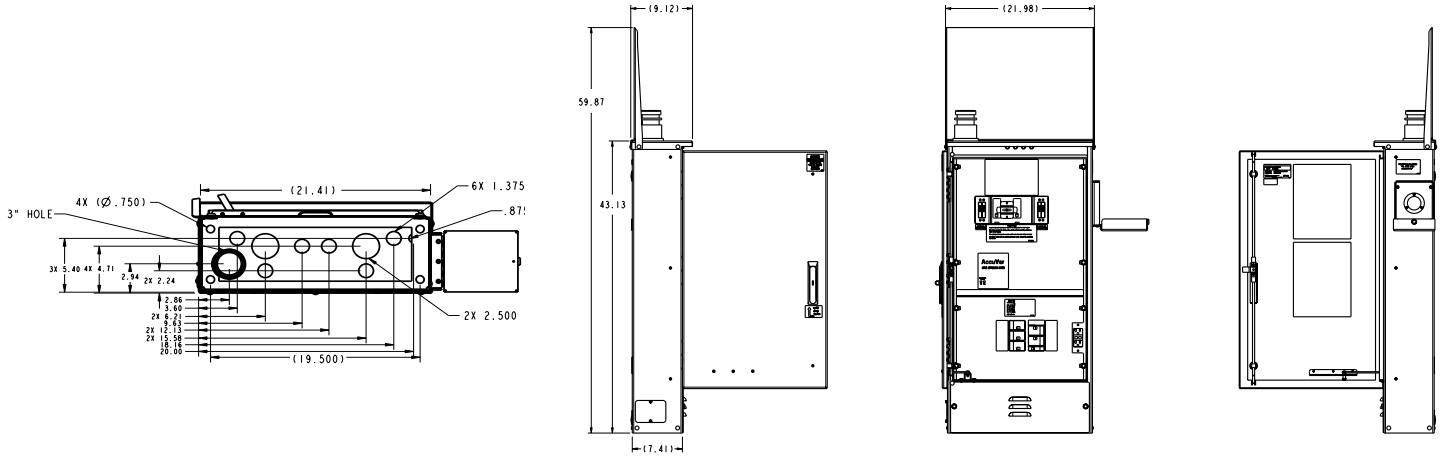


Figure 5 - 43.13"H x 24"W x 8.5"D

GESB Model

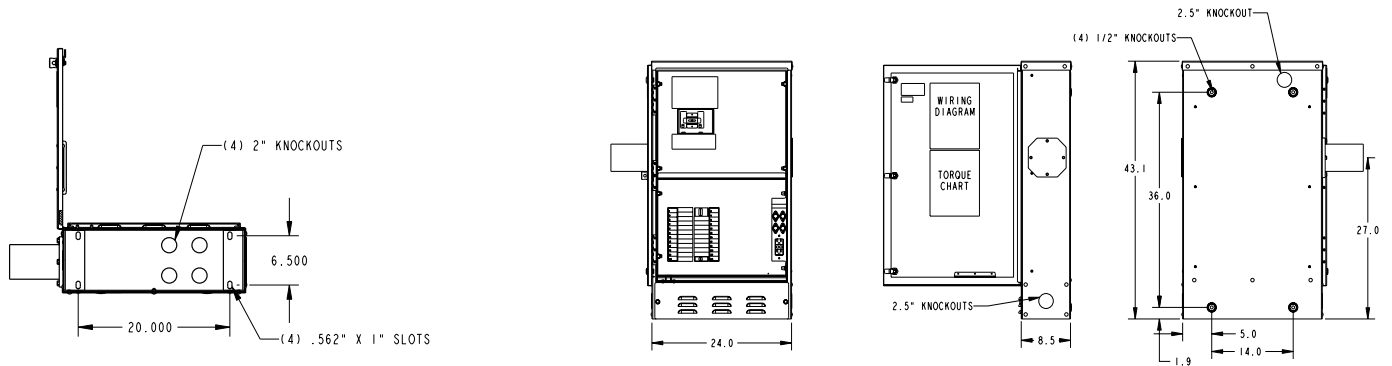
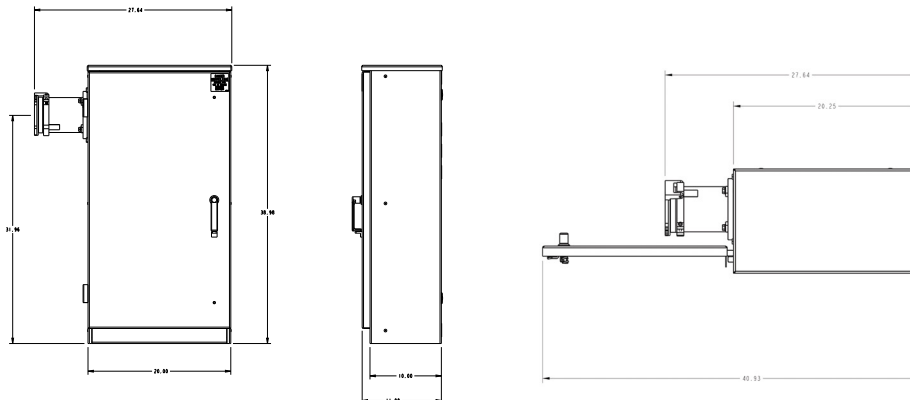


Figure 6 - 39.00" H x 20.00" W x 10.00" D

CAC Model



Dimensions

Figure 7 - 59.00" H x 24.00" W x 10.00" D

AC Model (BN2S2W000)

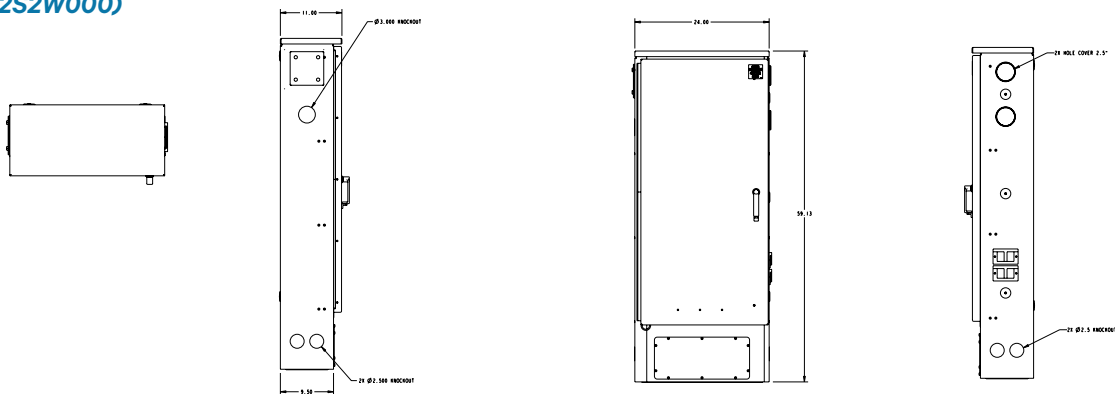


Figure 8 - 59.00" H x 24.00" W x 10.00" D

AC Model (BS2S2W000)

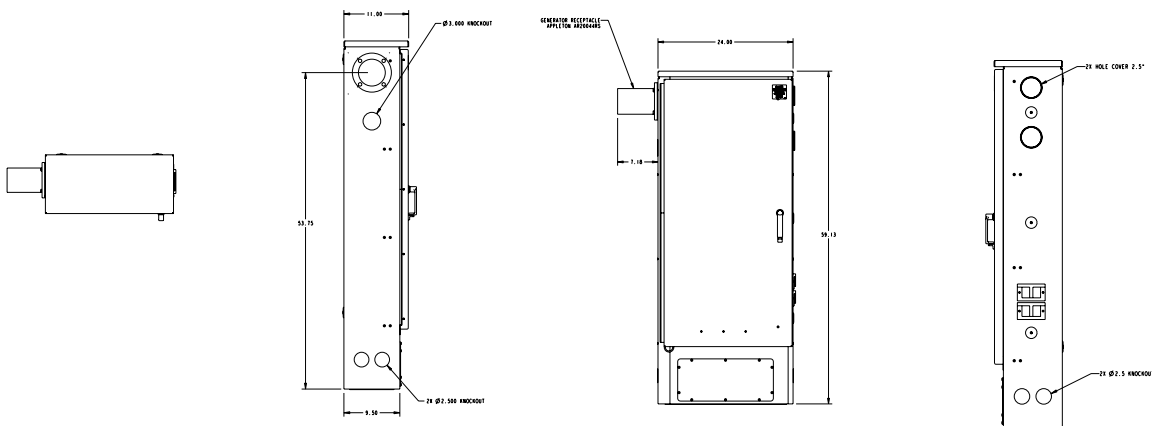
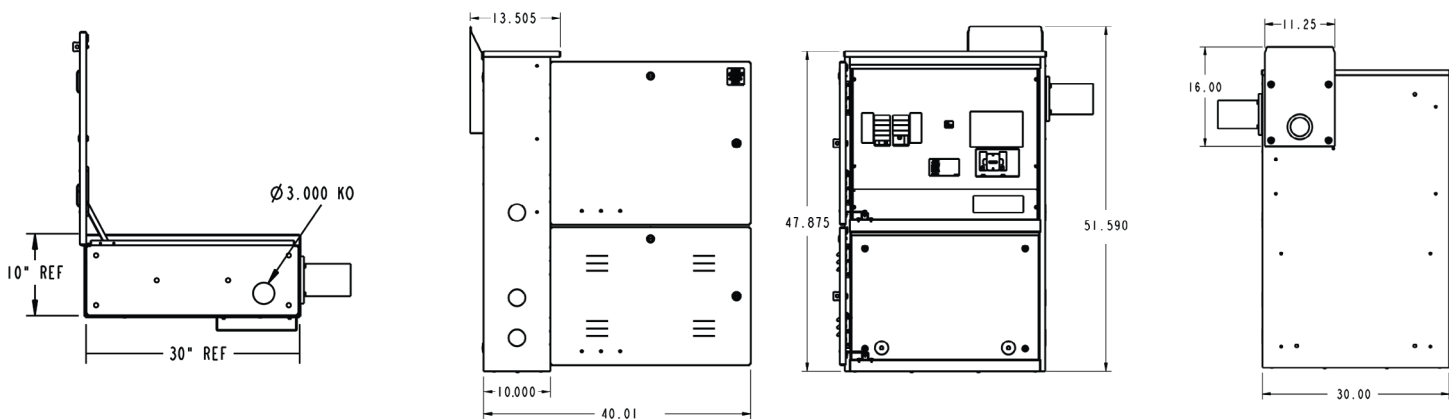


Figure 9 - 48"H x 30"W x 13.5"D

A8 Model



XTE PTS Ordering Guide

Dimensions

Figure 10 - 48"H x 30"W x 13.5"D

Side-by-Side Model (NS2S2-W201)

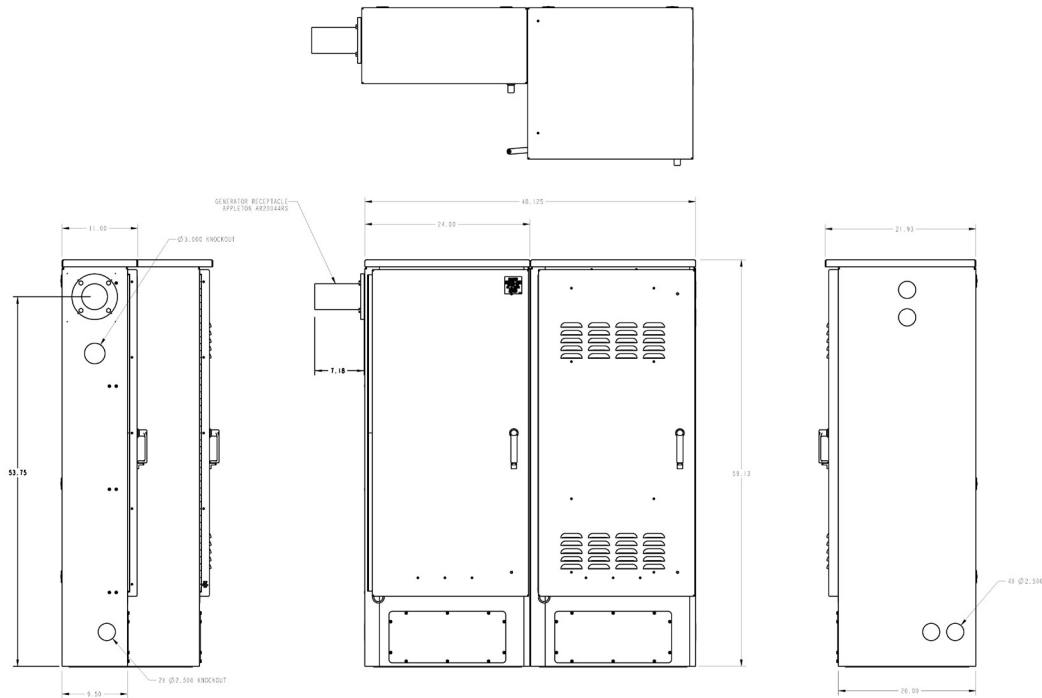
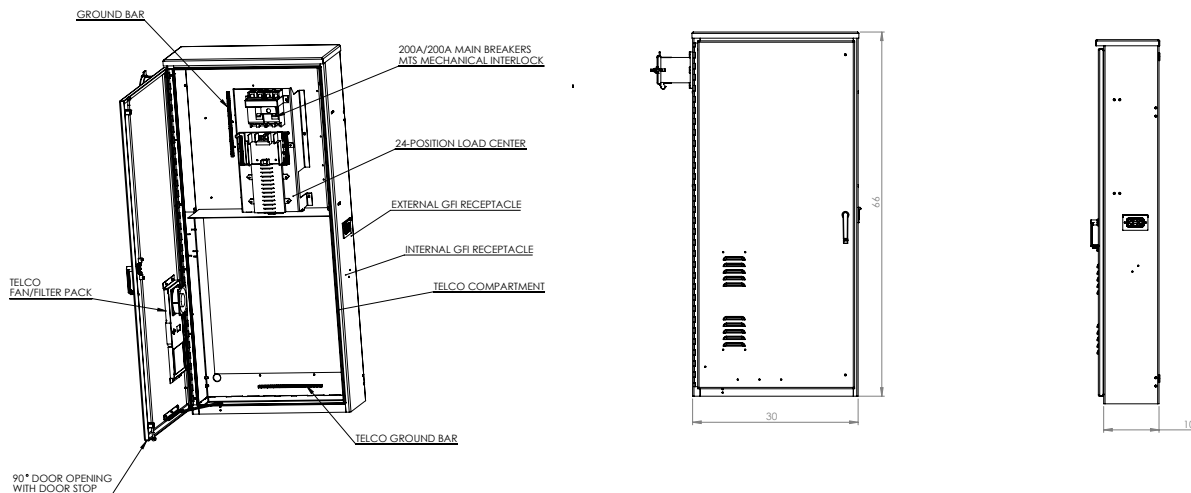


Figure 11 - 66"H x 30"W x 10"D

Combo Cab Model (CS2S2-W736)



Dimensions

Figure 12 - 60"H x 25"W x 10"D

Combo Cab Model (CS2S2-W836)

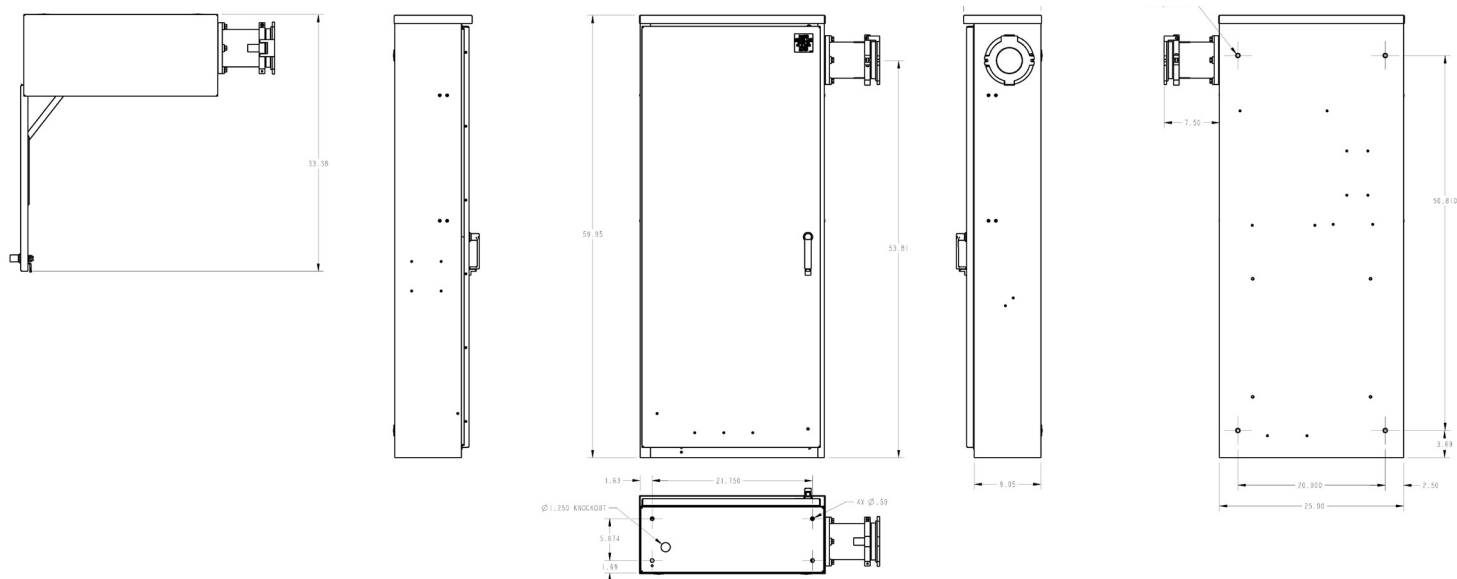
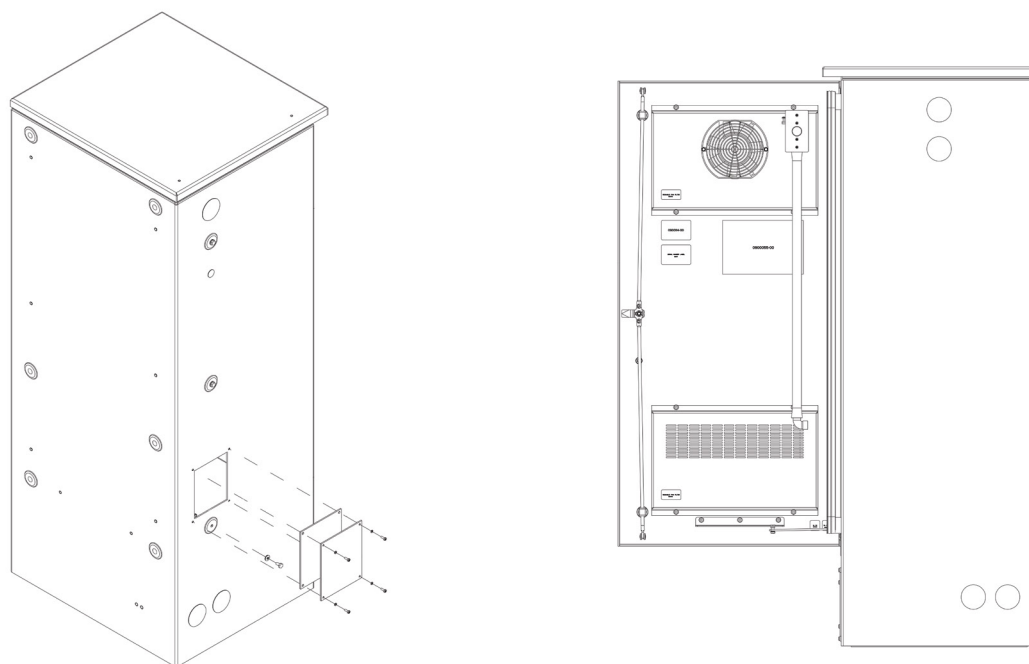


Figure 13 - 59.00"H x 24.00"W x 20.00"D

Telco Model (TNN00W201)



XTE PTS Ordering Guide

Dimensions

Figure 14 - 59"H x 24"W x 10"D

Telco Model (TNN00W101)

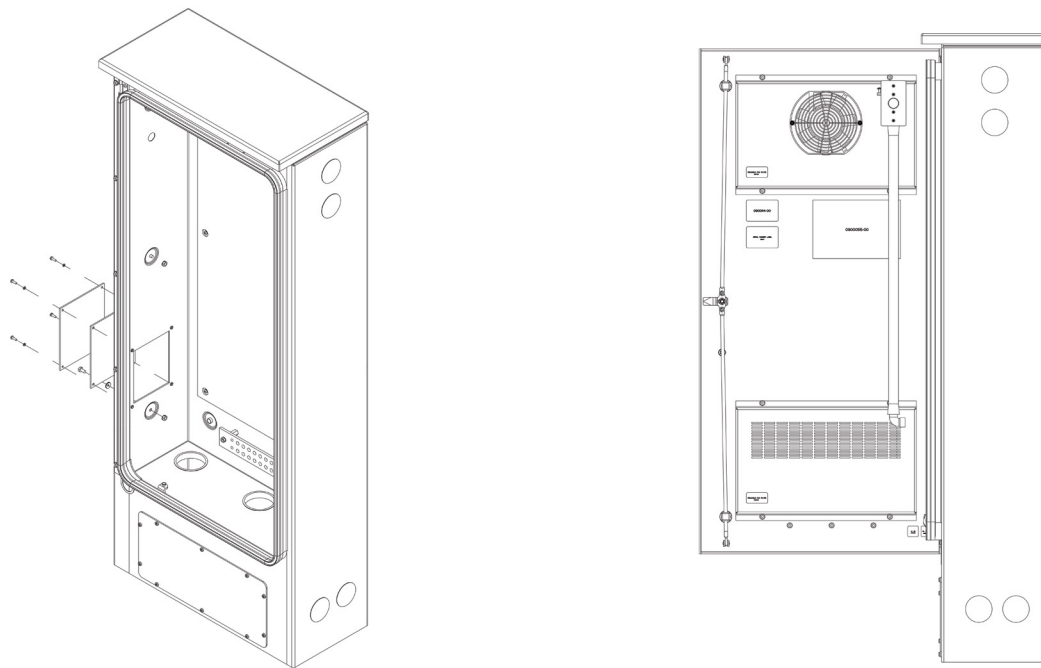
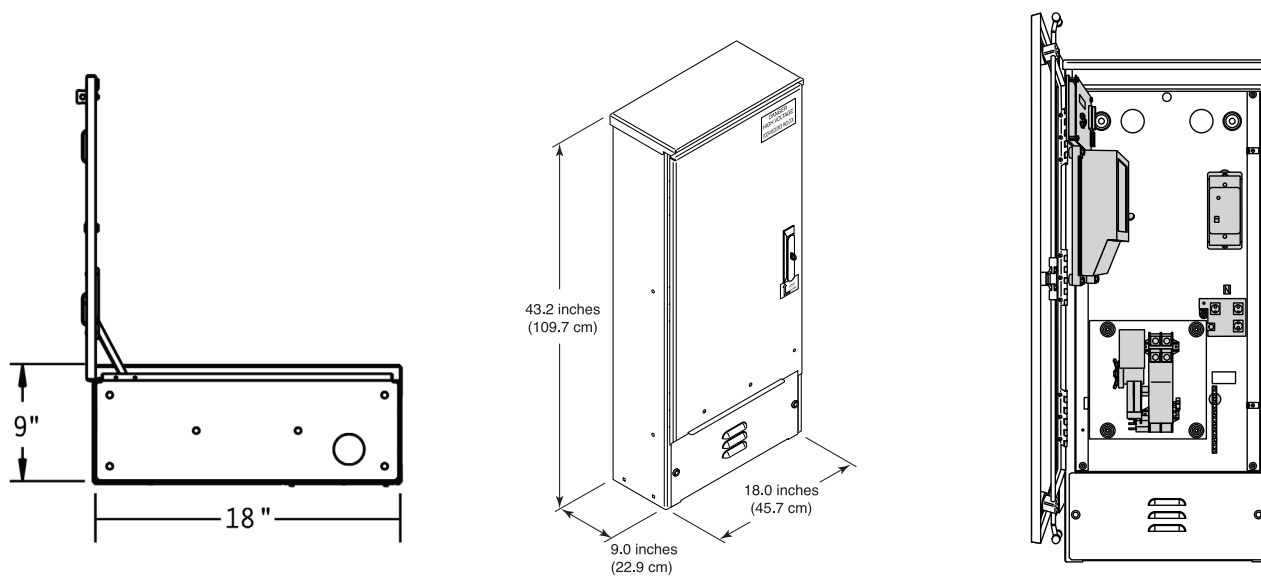


Figure 15 - 43.2"H x 18.0"W x 9.0"D

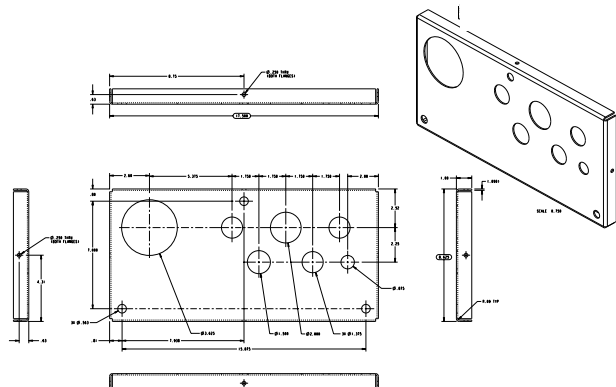
ATS Model



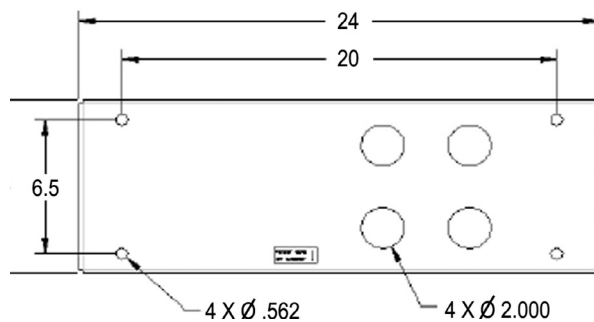
Pad-Mounting Templates

PESB / GESB Pad Mounting Template

PEILRPEILTEMP

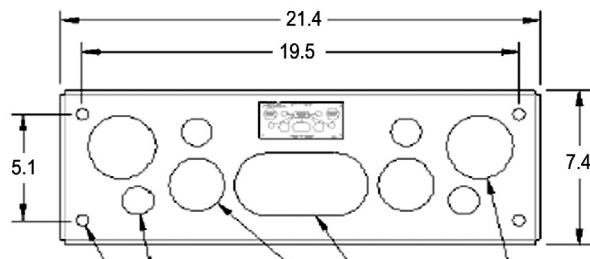
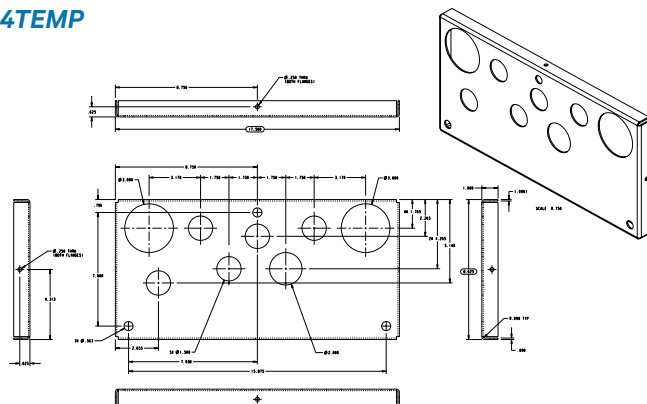


GESBTEMP



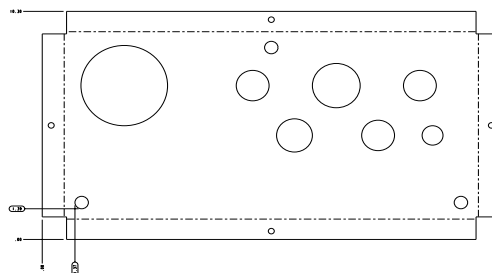
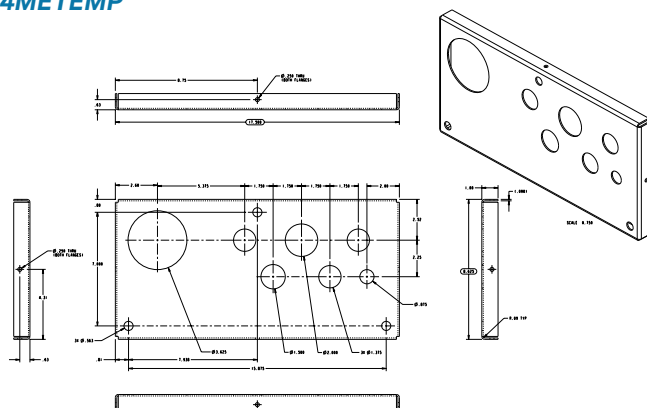
PE24MC Pad Mounting Template

PE24TEMP



PE24ME Pad Mounting Template

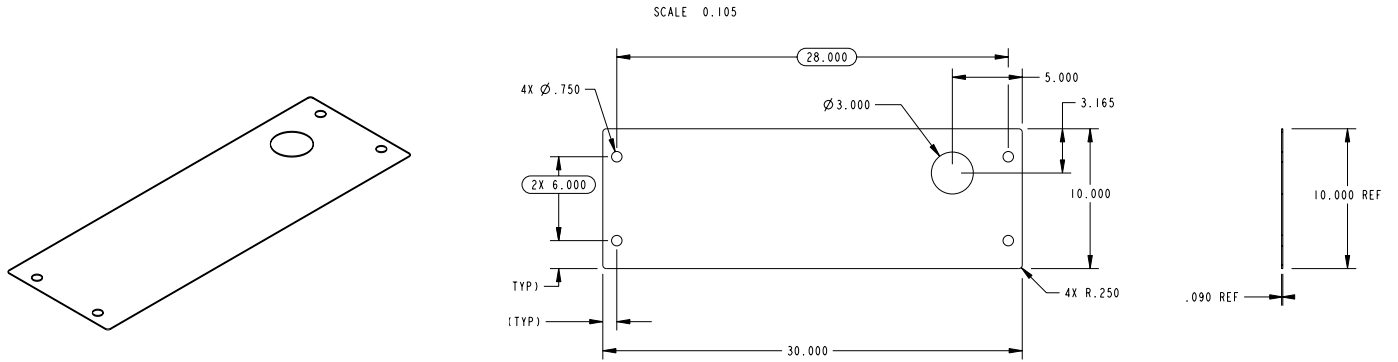
PE24METEMP



Pad-Mounting Templates

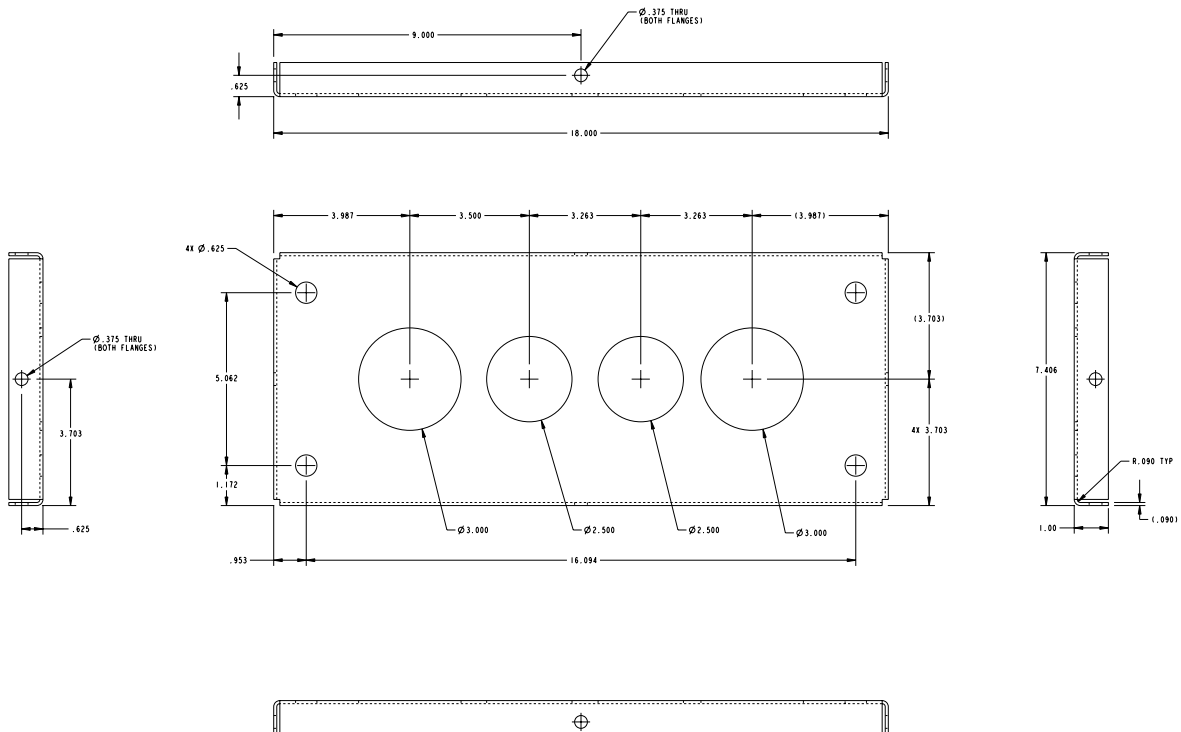
A8 Pad Mounting Template

A8EXT



ATS Pad Mounting Template

ATSTEMP

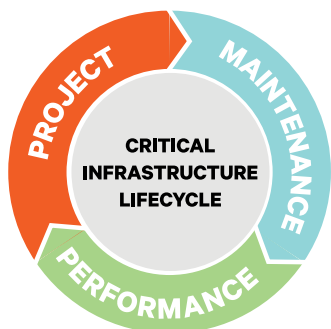


Accessories for All Models

Catalog Number	Part Number	Description
Meter Housings		
1005647	1005647	200 amp Durham meter housing
U7040XLTKKK	E74116	200 amp Milbank meter housing, ringless, horn type (M2)
U7018XLTKKK	E74125	200 amp Milbank meter housing, ringless
U2964XTL	U2964XTL	100 amp Milbank meter housing, test by-pass
U2974XTL	U2974XTL	200 amp Milbank meter housing, test by-pass
U9551-RXL	U9551-RXL	200 amp Milbank meter housing (M9)
Generator Power Cords		
11680		Hubbell 100 amp generator connector 4100C12W
11680-11681-25		25-ft. 100/100 amp cord set e/w Hubbell 4100C12 connector to Hubbell 4100P12 plug
11680-11681-50		50-ft. 100 amp cord set e/w Hubbell 4100C12 connector to Hubbell 4100P12 plug
11680-11720-25		25-ft. 100/30 amp cord set e/w Hubbell 4100C12W connector to Hubbell #2711 plug
11680-11720-50		50-ft. 100/30 amp cord set e/w Hubbell 4100C12W connector to Hubbell #2711 plug

NOTE: Circuit breakers available, please call customer service at 1-800-800-1280.

Services



A complete life-cycle approach to service, from project launch to ongoing maintenance and performance optimization

We strive to keep your network infrastructure highly available, efficient and adaptable, so you can:

- Increase mean time between failure
- Decrease operating cost
- Implement future technologies while maximizing your resources

Project

When launching new facilities or powering up new equipment, you want to do it right – right from the start

- Plan
- Design
- Engineer
- Integrate
- Commission
- Project management

Maintenance

Services to ensure that your business-critical infrastructure operates reliably, safely and efficiently

- Preventive and corrective maintenance
- Remote services and monitoring
- Cap / fan / battery replacements
- Repair
- Spare parts

Performance

Full range of services designed to optimize infrastructure performance and reduce complexity

- Assess
- Audit
- Model
- Configure
- Upgrade
- Train



Vertiv.com | Vertiv Headquarters, 1050 Dearborn Drive, Columbus, OH, 43085, USA

© 2020 Vertiv Group Corp. All rights reserved. Vertiv™ and the Vertiv logo are trademarks or registered trademarks of Vertiv Group Corp. All other names and logos referred to are trade names, trademarks or registered trademarks of their respective owners. While every precaution has been taken to ensure accuracy and completeness here, Vertiv Group Corp. assumes no responsibility, and disclaims all liability, for damages resulting from use of this information or for any errors or omissions. Specifications, rebates and other promotional offers are subject to change at Vertiv's sole discretion upon notice.