



Vertiv™ Liebert® APM Plus

User Manual

50-500 kVA UPS

The information contained in this document is subject to change without notice and may not be suitable for all applications. While every precaution has been taken to ensure the accuracy and completeness of this document, Vertiv assumes no responsibility and disclaims all liability for damages resulting from use of this information or for any errors or omissions. Refer to other local practices or building codes as applicable for the correct methods, tools, and materials to be used in performing procedures not specifically described in this document.

The products covered by this instruction manual are manufactured and/or sold by Vertiv. This document is the property of Vertiv and contains confidential and proprietary information owned by Vertiv. Any copying, use or disclosure of it without the written permission of Vertiv is strictly prohibited.

Names of companies and products are trademarks or registered trademarks of the respective companies. Any questions regarding usage of trademark names should be directed to the original manufacturer.

Technical Support Site

If you encounter any installation or operational issues with your product, check the pertinent section of this manual to see if the issue can be resolved by following outlined procedures.

Visit <https://www.vertiv.com/en-us/support/> for additional assistance.

TABLE OF CONTENTS

1 Important Safety Instructions	1
2 Overview	7
2.1 Features	7
2.2 Design Concept	7
2.2.1 System Design	7
2.2.2 Bypass	11
2.2.3 System Control Principle	11
2.2.4 UPS Power Supply Switch Configuration	13
2.2.5 Battery Circuit Breaker (BCB)	15
2.3 Parallel System	16
2.3.1 Parallel System Features	16
2.3.2 Parallel System Requirements	16
2.4 Operation Modes	16
2.5 Battery Management	23
2.5.1 Normal Function	23
2.5.2 Advanced Function	24
2.5.3 Battery Temperature Compensation	25
2.6 Battery Protection	25
3 Mechanical Installation	27
3.1 Precautions	27
3.2 Transportation	28
3.3 Tools	28
3.4 Unpacking	30
3.5 Initial Inspection	32
3.6 Environmental Requirement	32
3.6.1 UPS Location Selection	32
3.6.2 Battery Location Selection	32
3.6.3 Storage	33
3.7 Mechanical Requirement	33
3.7.1 Composition	33
3.7.2 Moving Cabinet	33
3.7.3 Clearance	33
3.7.4 Cable Access Mode	33
3.8 Installation Drawings	34
4 Electrical Installation	37
4.1 Wiring of Power Cable	37
4.1.1 System Configuration	37

- 4.12 Maximum Steady State AC and DC Currents 37
- 4.13 Recommended CSA of UPS Cable 38
- 4.14 Selection of UPS I/O Switch and Battery Switch 39
- 4.15 Distance between the UPS Connection Point and Floor 40
- 4.16 Notes 40
- 4.17 Power Cable Connecting Terminal 40
- 4.18 Protection Ground 40
- 4.19 External Protective Device 41
- 4.1.10 Power Cable Connection Steps 43
- 4.2 Wiring of Signal Cable 49
 - 4.2.1 Overview 49
 - 4.2.2 Dry Contact Port J6 50
 - 4.2.3 Dry Contact Port J7 51
 - 4.2.4 Dry Contact Port J8 54
 - 4.2.5 REPO Port 55
 - 4.2.6 Host Communication Port 55
 - 4.2.7 Parallel and LBS Communication Ports 55
 - 4.2.8 Intellislot Port 56
 - 4.2.9 Signal Cable Connection Steps 56
- 5 Operator Control and Display Panel 59**
 - 5.1 Introduction 59
 - 5.2 Navigating through the Liebert APM Plus Touchscreen Control Panel 60
 - 5.2.1 Access Level Log-In 60
 - 5.2.2 Liebert APM Plus Touchscreen Control Panel Components 61
 - 5.3 Operation 67
 - 5.3.1 Log In to the Liebert APM Plus Touchscreen Control Panel 67
 - 5.3.2 Customizing the Display 67
 - 5.3.3 Operator Controls 75
 - 5.4 Viewing UPS Status 82
 - 5.4.1 Viewing UPS Data with the Status Gauge 82
 - 5.4.2 Viewing UPS Data with the Status Panel 86
 - 5.4.3 Logs—Alarms and Events 91
 - 5.5 Viewing UPS Component Status 93
 - 5.6 Status Bar Component 96
 - 5.6.1 Status Bar Messages 96
 - 5.7 Alarm List 100
- 6 Single UPS Operation Introduction 105**
 - 6.1 Brief Introduction 105
 - 6.1.1 Precautions 105
 - 6.1.2 Power Switch 106

6.2	UPS Startup Procedures	109
6.2.1	Startup Procedures in Normal Mode	109
6.2.2	Startup Procedures in ECO Mode	114
6.2.3	Startup Procedures in Battery Mode (Battery Cold Start)	115
6.3	Procedures for Transfer Between Operation Modes	116
6.3.1	Transfer from Normal Mode to Battery Mode	116
6.3.2	Transfer from Normal Mode to Bypass Mode	116
6.3.3	Transfer from Bypass Mode to Normal Mode	116
6.3.4	Transfer from Normal Mode to Maintenance Mode	117
6.3.5	Transfer from Maintenance Mode to Normal Mode	118
6.4	Battery Test Procedures	119
6.5	UPS Shutdown Procedures	121
6.5.1	Procedures for Completely Powering Down UPS	121
6.5.2	Procedures for Completely Powering Down UPS while Maintaining Power to Load	121
6.6	EPO Procedures	122
6.7	UPS Reset Procedures after EPO	122
6.8	Automatic Restart	122
6.9	Selecting Language	123
6.10	Changing Current Date and Time	124
6.11	Control Password	125
7	Battery	127
7.1	Introduction	127
7.2	Safety	127
7.3	UPS Battery	129
7.4	Precautions for Installation Design	129
7.5	Battery Installation Environment and Number of Batteries	130
7.5.1	Installation Environment	130
7.5.2	Number of Batteries	131
7.6	Battery Protection	131
7.7	Battery Installation and Connection	131
7.7.1	Battery Installation	132
7.7.2	Battery Connection	132
7.8	Design of Battery Room	134
7.9	Common Battery String	135
7.10	BCB Cabinet (Option 1)-Applicable for APAC Region	136
7.11	BCB Cabinet (Option 2)-Applicable for APAC Region	141
7.12	Battery Temperature Sensor (Optional)	145
7.13	Battery Ground Fault Detector (Optional)- Applicable for APAC Region	146
7.14	BCB Reference Current and Connection	147
7.15	Battery Maintenance	148

7.16 Disposal of Used Battery 148

8 Parallel System and LBS System 149

8.1 General 149

8.2 System Installation Procedures 149

 8.2.1 Preliminary Checks 149

 8.2.2 Cabinet Installation 149

 8.2.3 External Protective Device 151

 8.2.4 Power Cable 151

 8.2.5 Parallel Cable 152

 8.2.6 Remote EPO 153

8.3 Operation Procedures for Parallel System 154

 8.3.1 Startup Procedures in Normal Mode 154

 8.3.2 Maintenance Bypass Procedures 155

 8.3.3 Procedures for Isolating One UPS module from Parallel System 156

 8.3.4 Procedures for Inserting One Isolated UPS module in Parallel System 156

 8.3.5 Procedures for Completely Powering Down UPS 156

8.4 LBS System 157

 8.4.1 Cabinet Installation 157

 8.4.2 External Protective Device 159

 8.4.3 Power Cable 159

 8.4.4 LBS Cable 160

9 Options 163

9.1 Option List 163

9.2 Option Introduction 164

 9.2.1 Battery Temperature Sensor Kit 164

 9.2.2 Battery Ground Fault Kit- Applicable for APAC Region 164

 9.2.3 Seismic Anchor Kit 165

 9.2.4 SIC Card- Applicable for APAC Region 168

 9.2.5 UF-RS485 Card- Applicable for APAC Region 169

 9.2.6 IS-Relay Card 171

 9.2.7 BCB Cabinet- Applicable for APAC Region 172

 9.2.8 Parallel Cable 172

 9.2.9 LBS Cable 172

 9.2.10 Shorting Copper Bar Kit 172

10 Communication 173

10.1 SNMP Protocol Communication 173

10.2 Modbus Protocol Communication 173

10.3 Dry Contact Communication 174

 10.3.1 Communication through IS-Relay Card 174

 10.3.2 Communication through Dry Contact Port of Central Control Module 174

11 Service and Maintenance	175
11.1 Safety	175
11.2 Service Procedures of Power Module and Bypass Power Module	175
11.2.1 Notes	175
11.2.2 Service Procedures of Power Module	176
11.2.3 Replacement Procedures of Bypass Power Module	176
11.3 Key Components and Service Life of UPS	177
11.3.1 Life Parameters and the Proposed Replacement Time of Key Components	177
11.3.2 Replacement of Air Filter	178
11.4 Maintenance of UPS and Options	179
12 Specifications	181
12.1 Conformance and Standards	181
12.2 Environmental Characteristics	181
12.3 Mechanical Characteristics	182
12.4 Electrical Characteristics (Input Rectifier)	182
12.5 Electrical Characteristics (Intermediate DC Circuit)	183
12.6 Electrical Characteristics (Inverter Output)	184
12.7 Electrical Characteristics (Bypass Input)	185
12.8 Efficiency and Loss	185
Appendices	187
Appendix A: Glossary	187
Appendix B: Hazardous Substances and Content	188
Appendix C: Disposal After End of Product (Applicable for India)	189

This page intentionally left blank

1 Important Safety Instructions

Personnel Safety

1. This product must be installed and commissioned by professional engineers of the manufacturer or its authorized agent. Failure to observe this could result in product malfunction or personnel safety risk.
2. Take time to read this product manual and the safety precaution thoroughly before installing and commissioning this product. Failure to observe this could result in product malfunction or personnel safety risk.
3. This product is not intended for life support equipment application.
4. Never dispose of the internal or external battery of this product in fire, as it may explode and jeopardize personnel safety when exposed to flame.

Product Safety

1. If this product will be stored or remain de-energized for a long period, it must be placed in a dry and clean environment within specified temperature range.
2. This product should be used in an appropriate operating environment. For details, refer to the section on the environmental requirement in this manual.
3. This product is not designed for application in an environment:
 - Where the temperature and relative humidity are outside the specifications
 - Subjected to vibrations or shocks
 - Where conductive dust, corrosive gases, salts, or flammable gases are present
 - Near heat sources or strong electromagnetic interferences.

Disclaimer

Vertiv disclaims any and all responsibility or liability for the defects or malfunction caused by:

- Application range or operating environment outside the specifications
- Unauthorized modification, improper installation or operation
- Force majeure
- Other actions not in compliance with the instructions in this manual.

Safety Precaution

This manual contains information concerning the installation and operation of the Liebert® APM Plus 500 kVA UPS single module and parallel system. Read this manual thoroughly before installing, using, and servicing the UPS.



WARNING! The UPS with standard configuration is a category C3 product for commercial and industrial application in the second environment. Installation restrictions or additional measures may be needed to prevent disturbances.

Conformity and Standards

This product conforms to the following European directives and UK Regulations:

2014/35/EU

Directive of the council for adapting the legal regulations of member states on electrical equipment for use within specific voltage limits.

Electrical Equipment (Safety) Regulations: 2016

Regulations implemented according to EU Directive (2014/35/EU) on electrical equipment designed for use within specific voltage limits approved on the GB market.

2014/30/EU

Directive of the council for adapting the legal regulations of member states on electromagnetic compatibility.

Electromagnetic Compatibility Regulations: 2016

Regulations concerning the aspects on electromagnetic compatibility approved on the GB market.

Conformity is established through compliance with the following standards:

- IEC/EN/BS 62040-1:2008+A1:2013
- IEC/EN/BS 62040-2:2018

Additional information regarding adherence to these directives and regulations is included in the appendices NSR and EMC to the Declarations of Conformity. If needed, the Declarations of Conformity can be requested to Vertiv.

2011/65/EU

Directive of the council for adapting the legal regulations of member states on the restriction of the use of certain hazardous substances that can be used in the manufacture of electrical and electronic equipment.

The Restriction of the Use of Certain Hazardous Substances in Electrical and Electronic Equipment Regulations 2012.

The restriction of the use of certain hazardous substances that can be used in the manufacture of electrical and electronic equipment approved on the GB market.

**WARNING! High earth leakage current**

Earth connection is critical before connecting the input supply (including both mains supply and battery).

This equipment is installed with an EMC filter.

Earth leakage current is less than 3000 mA.

Transient and steady state earth leakage currents, which may occur when the equipment is started, should be taken into account in the selection of instantaneous RCCBs or RCD devices.

RCCB which is sensitive to unidirectional DC pulse (class A) and insensitive to transient state current pulse must be selected.

Note also that the earth leakage currents of the load will be carried by the RCCBs or RCDs.

The equipment must be earthed in accordance with the local electrical code of practice.

**WARNING! Backfeeding protection**

This UPS is fitted with a dry contact closure signal for use with an external automatic disconnect device (supplied by others) to protect against backfeeding voltage into the incoming terminal through the rectifier or bypass static switch circuit. A label must be added at all external incoming primary supply disconnect device to warn service personnel that the circuit is connected to the UPS. The text of the label has the following meaning: Risk of voltage backfeed! Isolate the UPS, then check for hazardous voltage between all terminals including the protective earth before working on this circuit.

**WARNING! The selection of the upstream distribution protection equipment of the UPS shall be selected in accordance with the local electrical regulations.****WARNING! User serviceable components (For service personnel)**

All equipment maintenance and servicing procedures involving internal access requires the use of a tool and should be carried out only by trained personnel. There are no user-serviceable parts behind covers requiring a tool/key for removal.

**WARNING! Battery voltage exceeds 400 Vdc (For service personnel)**

All physical battery maintenance and servicing procedures requires the use of a tool/key and should be carried out only by trained personnel.

Take special care when working with the batteries associated with this UPS. When connected, the battery terminal voltage will exceed 400 Vdc and is potentially lethal.

Battery manufacturers supply details of the necessary precautions to be observed in working on, or in the vicinity of, a large bank of battery cells. These precautions should be followed implicitly. Particular attention should be paid to the recommendations concerning local environmental conditions and the provision of protective clothing, first aid, and fire-fighting facilities.

**WARNING! General safety (For users)**

Like other types of large power equipment, the UPS and battery circuit breaker box/battery cabinet have high voltage inside. As the components with high voltage can be accessed only when the front door is opened, the risk of contacting high voltage has been minimized. This equipment meets the IP20 standard, and the other safety shields are provided inside the equipment.

There will not be any risk when operating this equipment according to the general instructions and the steps recommended in this manual.



WARNING! Multiple power inputs (For users)

This UPS system receives power from more than one source. Disconnection of all AC source and the DC source is required before servicing.

This UPS has several circuits that are energized with high AC as well as DC voltages. Check for voltage with both AC and DC voltmeters before working within the UPS.



WARNING! When internal fuse of the UPS is damaged, it must be replaced with fuse of the same electric parameters by qualified personnel.

IMPORTANT! The communication board is sensitive to electro-static discharge, implement ESD prevention measures when managing any communication board.



WARNING! The user must select an appropriate MCCB to protect against short circuit and overload for the battery. We recommend using Vertiv BCB box to provide a better solution.



WARNING! The power cables must be routed in the metal cable trough in order to avoid cable damage and reduce the electromagnetic radiation.

NOTE: The UPS meets the standard requirement of short time withstand current of 16 kA. The specified upstream fuses are required to obtain the conditional short circuit current rating, Icc at 65 kA symmetrical rms. It is recommended to select the fuses in compliance with voltage of 690 V, current of 1500 A and breaking of 200 kA. The specified upstream fuses should comply with an IEC 60269 Part 4 standard.

NOTE: Bypass SCR is only protected against short circuit when adequate capacity of fuses/circuit breaker are present in the upstream distribution.

The Manual Describes the Equipment

Product	Model
500 kVA	APM Plus 0500kMK16FN02000

NOTE: Three cabinets are available for 500kVA: UPS equipped without switch, UPS equipped with Q3, UPS equipped with Q1, Q2, Q3 and Q5. Without switch, Single switch and four switches for short.

Revision Information

V1.0 (August 9, 2021)

Initial release.

V1.1 (December 10, 2021)

Add “UPS without switch” associated with contents and parameters.

V1.2 (March 3, 2022)

Updated Figures 7-9 and Figures 8-7.

V1.3 (April 1, 2022)

Updated Safety precautions; Figure 5-6, 5-11, 5-13, 5-15, 5-21, 5-22, 5-25, 5-26, 5-27, 5-28, 5-29, 5-34, 6-3, 6-5, 6-8, 6-9, 6-11; Table 4-1, 12-1, 12-2 and 12-6.

V1.4 (April 20, 2022)

Updated Safety precautions and Table 12-6.

V1.5 (July 18, 2022)

Updated for adding Applicable for APAC Region for selected optional item. Updated Pin J22 to J2 in 7.11 Battery Temperature Sensor. Updated 2.4 Operation Modes for adding dynamic online mode. Updated table 12.8 Efficiency and Loss. Added Unity Card information in Chapter 9.1, 9.2.4, 9.2.5, 10.1 and 10.2.

V1.6 (October 31, 2022)

3.8 Installation Drawing Figure 3.5 (c) Four switches (500 kVA) image updated. Updated the manual for GHMI images in Chapter 5 Operator Control and Display Panel. Added 7.11 BCB Cabinet (Option 2)-Applicable for APAC Region. Updated values in Table 7.2 Number of batteries. Added 28-block battery in Table 7.5 BCB rated current and battery max. discharge current at full load (recommended). Added 9.2.13 LBS Adapter. Updated Table 12.1 European and international standards, Table 12-2 Environmental characteristics, Table 12.3 Mechanical Characteristics, 12.5 Battery, and Table 12.6 Inverter output (to critical load).

V1.7 (April 19, 2023)

Updated Table 4-1, 4-2, 4-4, 4-5 and 7-5.

This page intentionally left blank

2 Overview

This chapter briefly introduces the features, design concept, parallel system, operation mode, battery management, and battery protection of the Liebert® APM Plus 500 kVA UPS (UPS for short).

2.1 Features

UPS is connected between a critical load (e.g. a computer) and mains power to provide high quality power for the loads. UPS has the following advantages:

- Augment power quality

UPS protects its output against the input power change through the intelligent controller.

- Provide mains failure protection

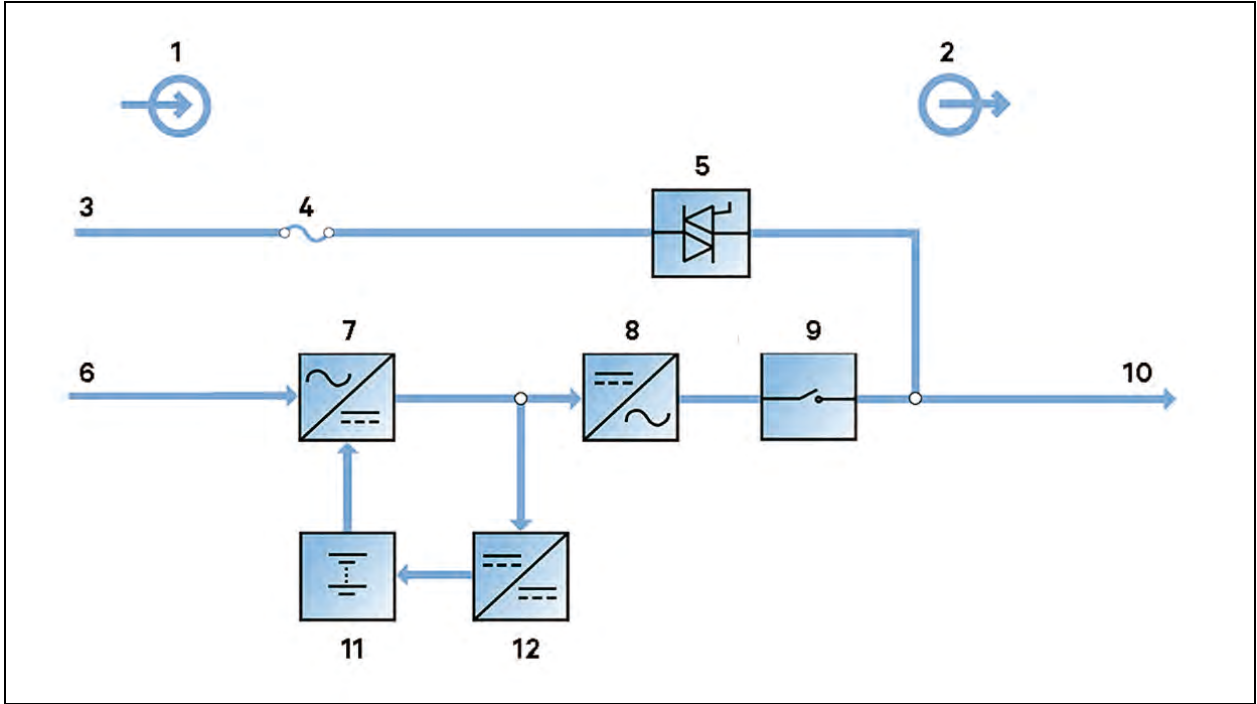
If the input power fails, the UPS will work in battery mode, and the power supply to the loads will not be interrupted.

2.2 Design Concept

2.2.1 System Design

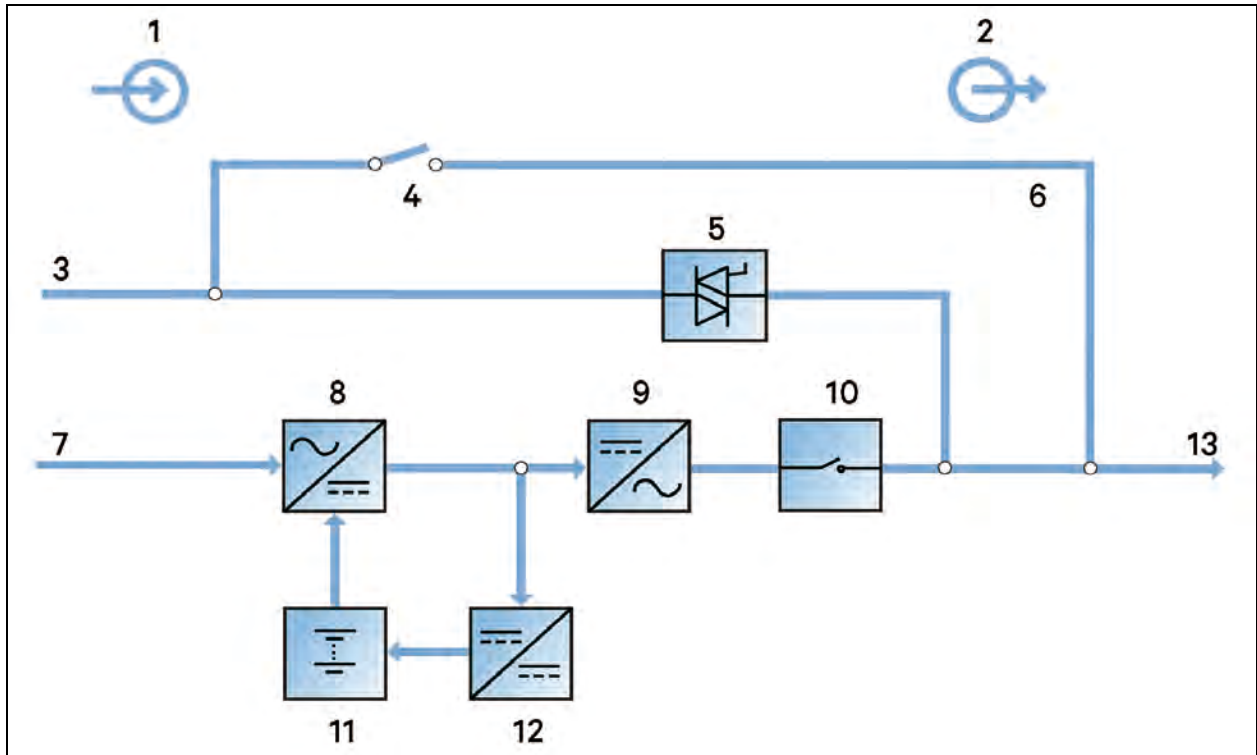
This section introduces the working principle of the UPS single module. The UPS adopts AC-DC-AC converter (as shown in **Figure 2.1** on the next page). The first stage conversion (AC-DC) adopts three-phase high frequency rectifier to convert the three-phase input voltage into stable DC bus voltage.

Figure 2.1 (a) Block diagram for working principle of without switch UPS



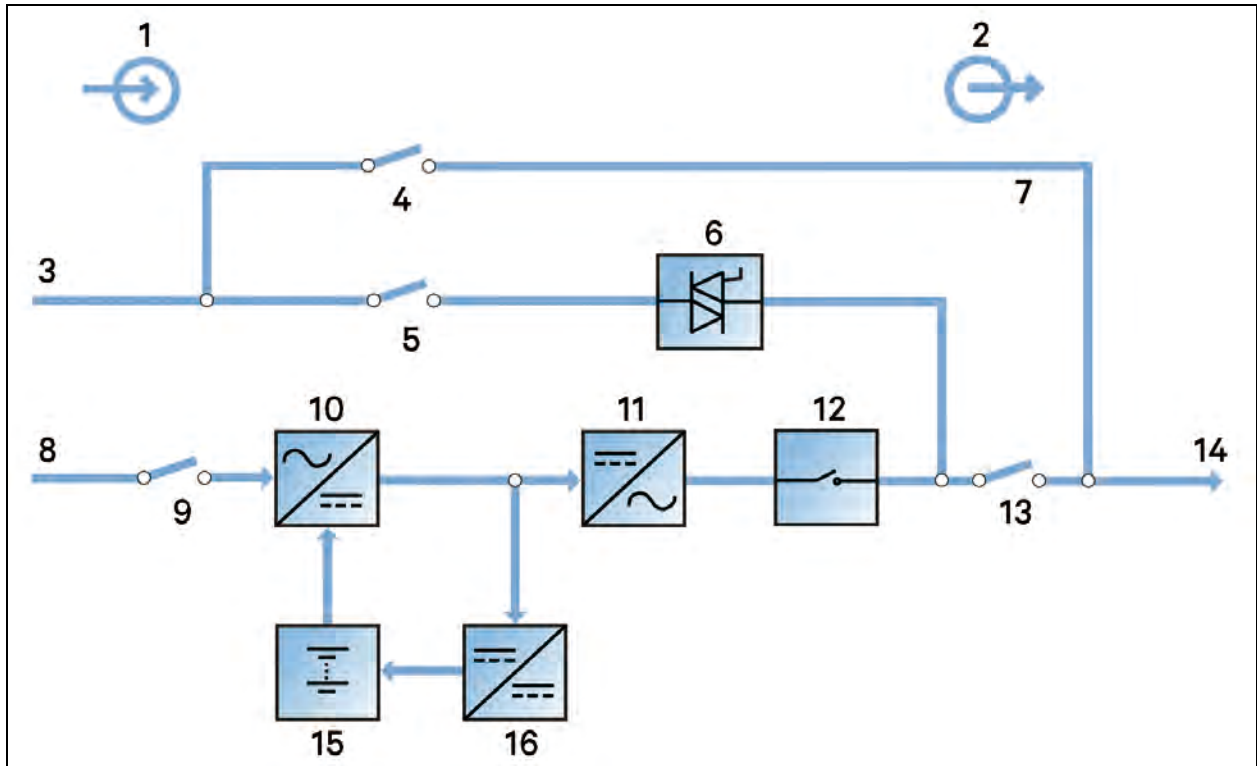
No.	Description	No.	Description
1	Input	7	Rectifier
2	Output	8	Inverter
3	Bypass input	9	Automatic inverter switch
4	Fuse	10	UPS output
5	Static switch	11	Battery
6	Mains input	12	Battery charger

(b) Block diagram for working principle of single switch UPS (Applicable for APAC Region)



No.	Description	No.	Description
1	Input	8	Rectifier
2	Output	9	Inverter
3	Bypass input	10	Automatic inverter switch
4	Maintenance bypass switch	11	Battery
5	Static switch	12	Battery charger
6	Maintenance bypass	13	UPS output
7	Mains input		

(c) Block diagram for working principle of four switches UPS



No.	Description	No.	Description
1	Input	9	Rectifier input switch
2	Output	10	Rectifier
3	Bypass input	11	Inverter
4	Maintenance bypass switch	12	Automatic inverter switch
5	Bypass input switch	13	Output switch
6	Static switch	14	UPS output
7	Maintenance bypass	15	Battery
8	Mains input	16	Battery charger

The UPS has its own battery charger and adopts advanced temperature compensation technology to effectively prolong the battery service life. The inverter adopts three level T-type IGBT topology and uses advanced SVPWM control technology to derive the stable AC voltage from the DC bus voltage.

When the mains is normal, the rectifier and inverter work together to supply the loads and charge the battery.

When the mains is abnormal, the rectifier stops working, and the battery supplies power to the loads through the inverter. If the battery voltage falls to end of discharge (EOD) voltage and the mains still has not been recovered, the UPS will shut down (if the system uses split bypass configuration and the bypass is normal, the system will transfer to bypass). The battery EOD voltage is preset. When the mains is abnormal, the battery maintains the UPS operation till the battery voltage is reduced to EOD voltage and the UPS shuts down, this time is called 'Backup Time'. The length of backup time depends on the battery capacity and the loads.

2.2.2 Bypass

Through the intelligent control of the 'Static Switch' module (as shown in **Figure 2.1** on page 8) containing the controllable electronic switch, the loads can be supplied by the inverter or the bypass. In normal situation, the loads are supplied by the inverter, in that case the automatic inverter switch at inverter side is closed. In the case of overload (the overload delay time expires) or inverter failure, the automatic inverter switch is opened, and the Static Switch module will automatically transfer the loads to the bypass.

In normal operating state, to realize the uninterrupted transfer between inverter and bypass, the inverter output must be synchronized with the bypass.

Therefore, when the bypass frequency is within the synchronization range, the inverter control circuit will synchronize the inverter output frequency with the bypass frequency and phase.

Besides, the UPS has a manual maintenance bypass switch (without switch excluded) for shutdown of the UPS upon maintenance. In this situation, the bypass will directly supply the critical loads through the maintenance bypass.

NOTE: When the load is supplied by the bypass or maintenance bypass, the quality of the power supply will be uncertain.

2.2.3 System Control Principle

Normal operation

Normal mode: It means that the UPS has normal input mains, the rectifier and inverter operate normally, the load is supplied by the inverter, the battery circuit breaker is closed, and the battery is in stable floating charge state.

(Parallel System) As the UPS single module outputs are connected in parallel, the system checks that the inverter control circuits are perfectly synchronized with one another and with the bypass in terms of both frequency and phase, and that they have the same output voltages. Current supplied to the load is automatically divided among UPSs. A warning message appears while synchronization is in progress.

Mains abnormal

When the mains fails or is abnormal, the rectifier will stop working automatically, and the system will transfer to battery output (through inverter). The length of the operation time in battery mode depends on the load and the battery capacity. During this period, if the battery voltage falls to the EOD voltage and the mains still has not been recovered, the inverter will stop working automatically, and the UPS touch screen will display corresponding alarm messages. If the system uses split bypass configuration and the bypass is normal, the system will transfer to bypass.

Mains recovery

When the mains resumes normal within allowable time, the rectifier will start automatically and supply the load and charge the battery again. Therefore, the power supply to the load will not be interrupted.

Battery disconnection

To disconnect the external battery from the UPS system for maintenance, use the external isolating switch. At this time, except for the battery backup function upon mains failure, other functions and all the steady state performance of the UPS will not be affected.

UPS module failure

In case of inverter failure and output fuse blowout, the load will automatically transfer to the bypass, and the output power supply will not be interrupted. In this situation, please contact the local customer service center of Vertiv for technical support.

(Parallel System) In the event of a fault in a UPS module, it will automatically exit from the parallel system. If the system is still capable of providing the required load, the remaining modules will continue to supply the load with no interruption. If the remaining modules are no longer capable of fulfilling the power requirements, the load will automatically transfer to the bypass.

Overload

If the inverter is overloaded or the inverter current remains outside the specifications (refer to **Table 12.6** on page 184) longer than the specified time, the load will automatically transfer to the bypass without power interruption. If both the overload and the current are reduced to a level within the specified range, then the load will be transferred back to the inverter. In case of output short circuit, the load will be transferred to the bypass, and the inverter will shut down. Five minutes later, the inverter will start up automatically. If the short circuit is removed at this point, the load will be transferred back to the inverter. The transfer is determined first of all by the features of the protective device of the system.

In the above two situations, the UPS touch screen will display alarm messages.

(Parallel System) The control logic system constantly monitors load requirements and controls the power supplied by each UPS module. In the event that an overload condition is sustained for greater than a preset time, the load will transfer to the bypass, when the number of active modules is unable to satisfy load requirements. The load returns to the inverter if the power is reduced to a value that can be sustained by the number of active modules in the system.

Maintenance bypass

The UPS has a second bypass circuit, i.e. maintenance bypass (without switch excluded), which provides a safe working environment for the engineers to provide regular maintenance or repair to the UPS system and at the same time provide unregulated mains supply to the loads. The maintenance bypass can be manually selected through the maintenance bypass switch, and it can be disconnected by turning the switch to OFF.



WARNING! If the UPS system consists of two or more UPS modules and when the load capacity exceeds the single module capacity, do not use the internal maintenance bypass switch.

2.2.4 UPS Power Supply Switch Configuration

The UPS equipped with single switch: maintenance bypass switch Q3.

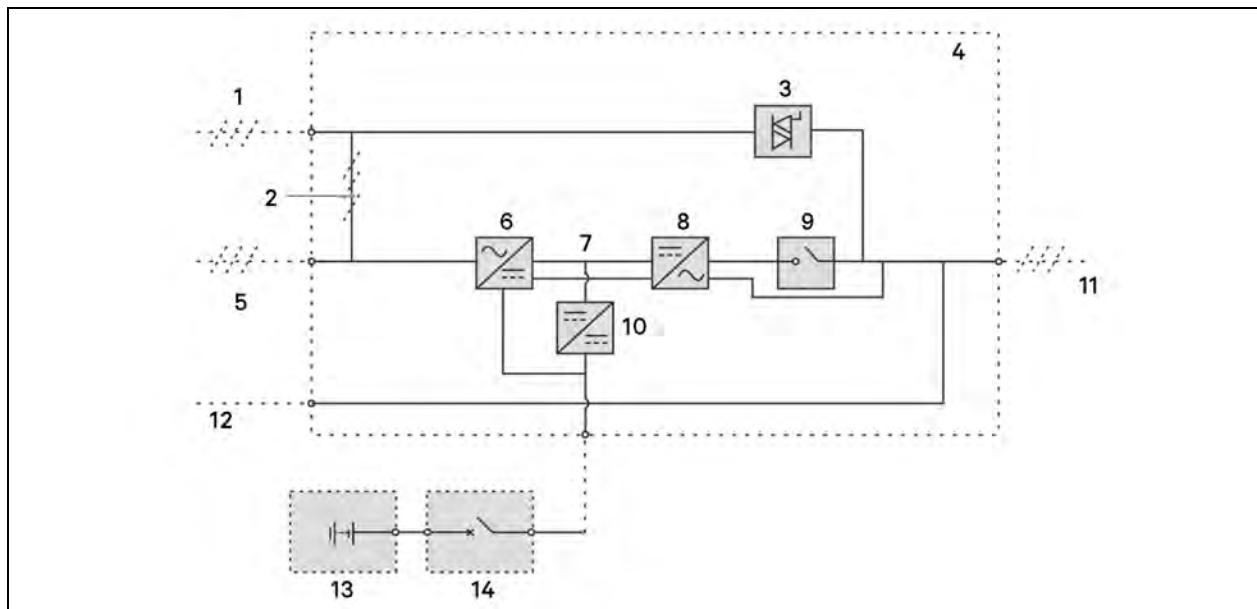
The UPS equipped with four switches: rectifier input switch Q1, bypass input switch Q2, maintenance bypass switch Q3, and output switch Q5.

Figure 2.2 below describes the block diagram of the UPS module. The UPS has split bypass configuration (that is, the bypass adopts independent mains input) and common input configuration. In split bypass configuration, the static bypass and maintenance bypass share the same independent bypass power supply. Where a separate power source is not available, the input supply connections of the bypass input switch (Q2) and rectifier input switch (Q1) would be linked together to make the bypass input and rectifier input use mains power of the same route.

During the normal operation of the UPS, except for the maintenance bypass switch Q3, other switches shall be closed.

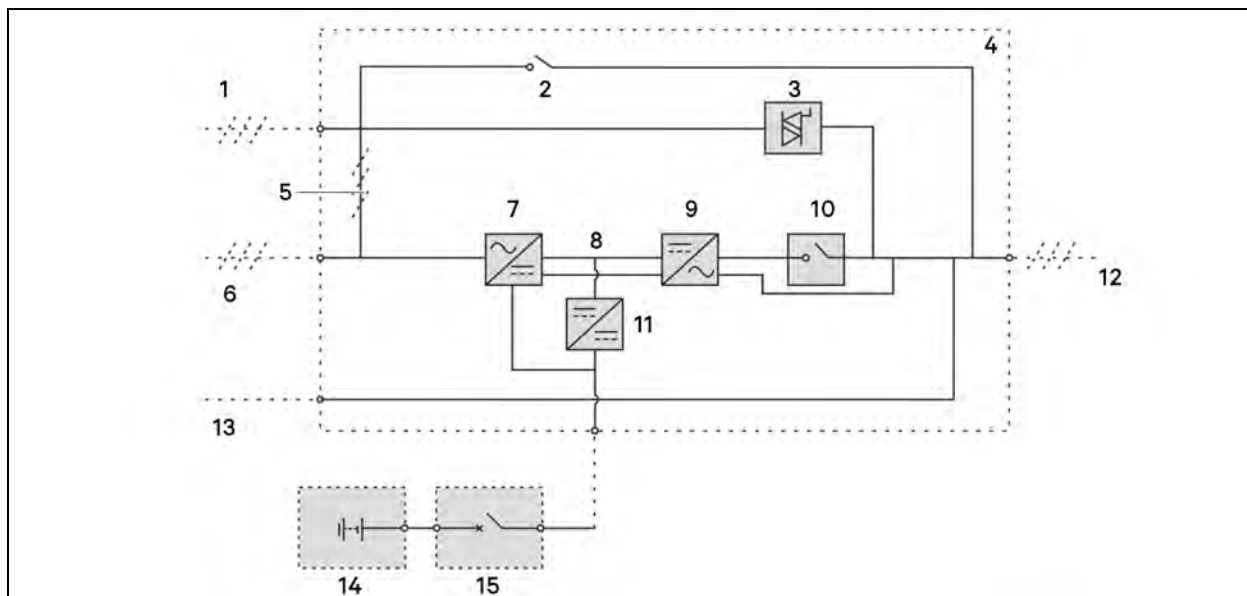
Figure 2.2 UPS power supply switch configuration (without switch, single switch, four switches)

(a) Without switch



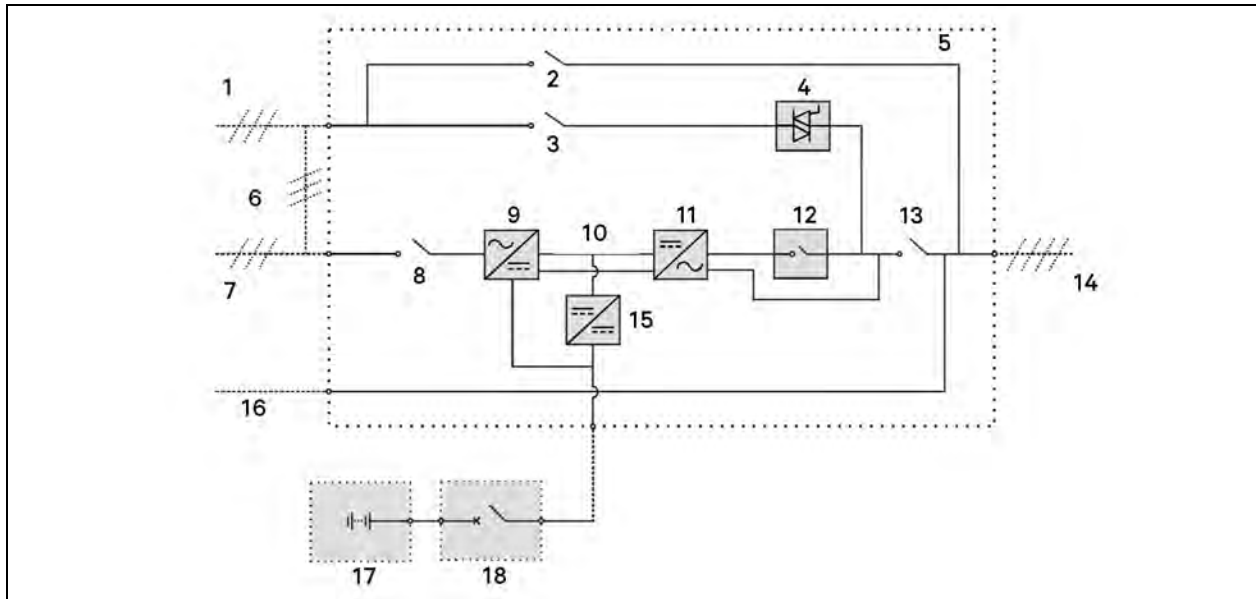
No.	Description	No.	Description
1	Bypass input	8	Inverter
2	Shorting copper bar of input configuration	9	Inverter switch
3	Static switch	10	Charger
4	UPS	11	UPS output
5	Mains input	12	Neutral line input
6	Rectifier	13	Battery
7	DC bus	14	BCB

(b) Single switch (Applicable for APAC Region)



No.	Description	No.	Description
1	Bypass input	9	Inverter
2	Maintenance bypass switch Q3	10	Inverter switch
3	Static switch	11	Charger
4	UPS	12	UPS output
5	Shorting copper bar of input configuration	13	Neutral line input
6	Mains input	14	Battery
7	Rectifier	15	BCB
8	DC bus		

(c) Four switches



No.	Description	No.	Description
1	Bypass input	10	DC bus
2	Maintenance bypass switch Q3	11	Inverter
3	Bypass input switch Q2	12	Inverter switch
4	Static switch	13	Output switch Q5
5	UPS	14	UPS output
6	Shorting copper bar of input configuration	15	Charger
7	Mains input	16	Neutral line input
8	Rectifier input switch Q1	17	Battery
9	Rectifier	18	BCB

NOTE: The mains input and bypass input share the same neutral line.

2.2.5 Battery Circuit Breaker (BCB)

The external battery shall be connected to the UPS through the BCB. The BCB cabinet is optional, which shall be installed near the battery. The BCB is closed manually. The BCB has a shunt tripping coil. When the system is faulty and the BCB needed to be disconnected, the UPS control circuit will send a signal to the shunt tripping coil so as to trip the BCB. It also has a magnetic trip facility for overload protection and short circuit protection.

2.3 Parallel System

Up to four UPS modules can be parallel-connected to form a parallel system to increase the system capacity and reliability. The load is equally shared between the paralleled UPS modules.

Moreover, two UPS modules or parallel system can comprise a dual bus system. Each parallel system has independent output. Output synchronization is achieved through the LBS cable or LBS device, thus enabling seamless load transfer between the two parallel systems or single modules through the STS device.

2.3.1 Parallel System Features

1. The hardware and software of parallel system are completely the same as those of the single module. The parallel system configuration is achieved through settings in configuration software.
2. Parallel cables are connected in a ring, providing both system reliability and redundancy.
3. The total load of the parallel system can be queried from each UPS module's TOUCH SCREEN.

2.3.2 Parallel System Requirements

A group of paralleled modules behaves as one large UPS with the advantage of presenting higher reliability. To ensure that all modules are equally utilized and to comply with relevant wiring rules, the following requirements apply:

1. All UPS modules must be of the same series, and connected to the same bypass source.
2. The bypass and rectifier input sources must be connected to the same neutral line input terminal.
3. Any RCD, if installed, must be of an appropriate setting and located upstream of the common neutral line input terminal. Alternatively, the device must monitor the protective earth current of the system. Refer to Warning: [High earth leakage current](#) on page 3.

2.4 Operation Modes

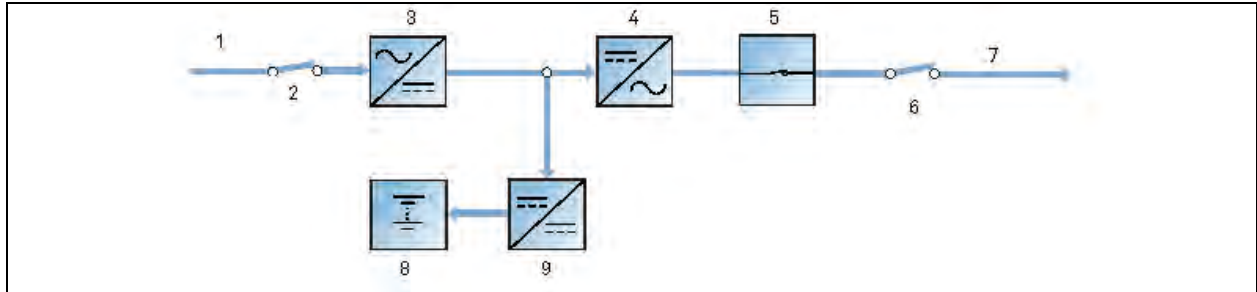
The UPS has the following operation modes:

- Normal mode
- Battery mode
- Automatic restart mode
- Bypass mode
- Maintenance mode
- ECO mode
- Frequency converter mode
- Parallel redundancy mode
- LBS mode
- Dynamic online mode

Normal mode

As shown in **Figure 2.3** below, the mains is rectified by the UPS rectifier and then inverted by the inverter to supply uninterrupted AC power to the loads. At the same time, the charger will charge the battery.

Figure 2.3 Schematic diagram of normal mode

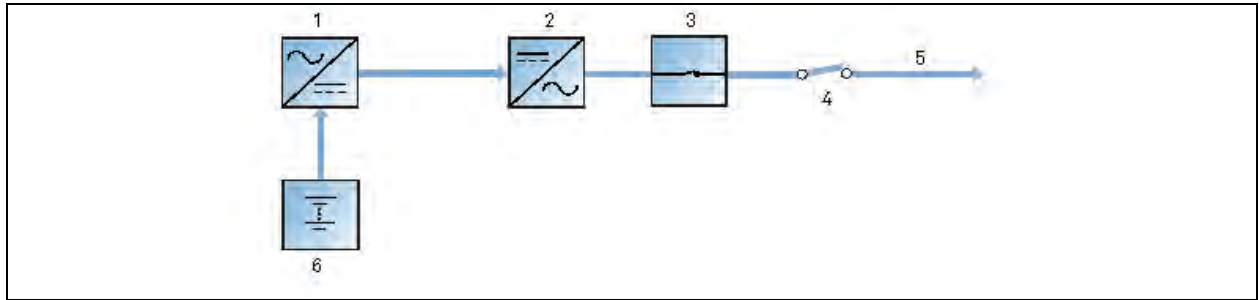


No.	Description
1	Mains input
2	Rectifier input switch
3	Rectifier
4	Inverter
5	Automatic inverter switch
6	Output switch
7	UPS output
8	Battery
9	Battery charger

Battery mode

As shown in **Figure 2.4** below, the operation mode in which the battery provides backup power supply to the loads through the rectifier and inverter is called battery mode. Upon mains failure, the system will automatically transfer to the battery mode with no load power interruption. When the mains is recovered, the system will automatically transfer back to the normal mode without any manual intervention, and the power to the load will not be interrupted.

Figure 2.4 Schematic diagram of battery mode



No.	Description
1	Rectifier
2	Inverter
3	Automatic inverter switch
4	Output switch
5	UPS output
6	Battery

NOTE: Battery cold start function is available for switching the UPS on from Battery (charged) mode directly during mains failure. Therefore, the battery power supply can be used independently to improve the availability of the UPS.

Automatic restart mode

The UPS has automatic restart function. When the inverter shuts down because of the mains failure and the battery discharges to EOD voltage, if the mains is recovered, the UPS will restart automatically after a certain time of delay. This function and the automatic restart type can be set by the service engineer authorized by Vertiv.

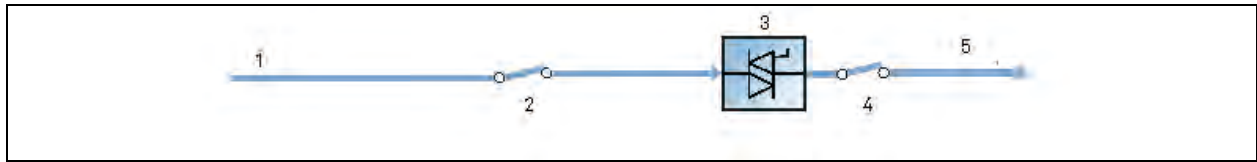
During the process of automatic restart time of delay, the UPS will charge the battery to protect against the power-off risk of the load device caused by mains power failure.

If the automatic restart function has not been set, the user can manually start the UPS through RESET FAULT function.

Bypass mode

As shown in **Figure 2.5** on the facing page, in normal mode, in case of an inverter failure, an inverter overload, or an inverter manual shutdown the static switch will transfer the load from the inverter side to bypass side, with no interruption in power to the load. At this time, if the inverter and bypass are not synchronized, power supply to the load has transitory interruption, with time of less than 20 ms.

Figure 2.5 Schematic diagram of bypass mode

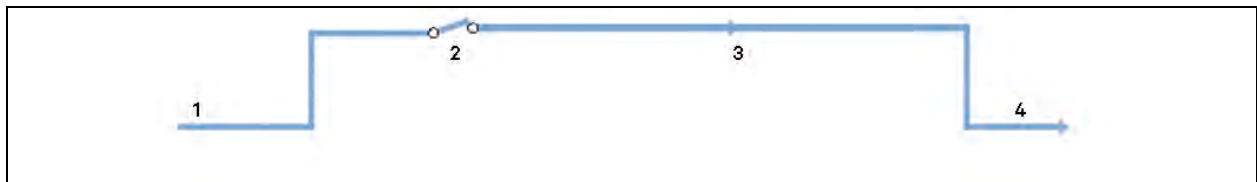


No.	Description
1	Bypass input
2	Bypass input switch
3	Static switch
4	Output switch
5	UPS output

Maintenance mode

As shown in **Figure 2.6** below, if the UPS maintenance or service is required, you may use the manual maintenance bypass switch to transfer the load to maintenance bypass, with no interruption in power to the load. This maintenance bypass switch is fitted in all UPS modules and rated for full load of a single module.

Figure 2.6 Schematic diagram of maintenance mode

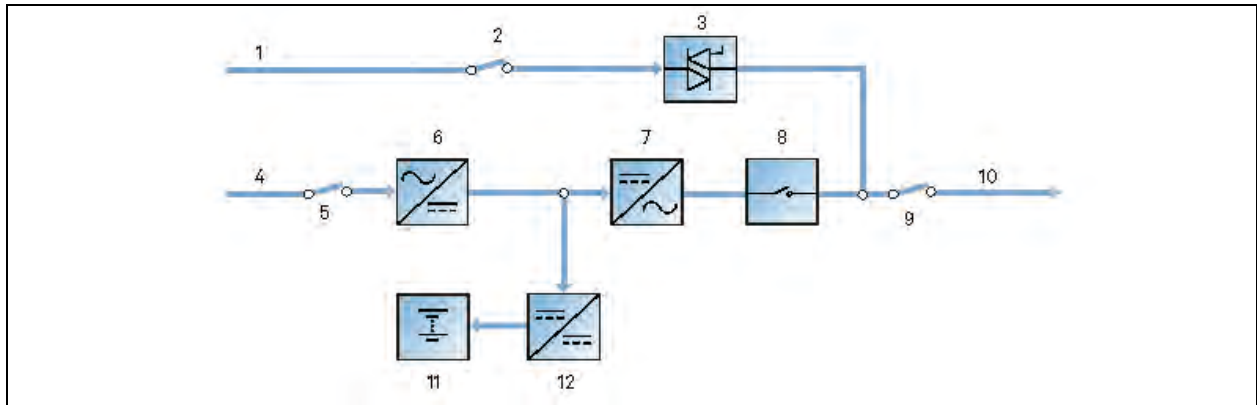


No.	Description
1	Bypass input
2	Maintenance bypass switch
3	Maintenance bypass
4	UPS output

ECO mode

If ECO mode is selected, all the power switches and the battery switches are closed except for the maintenance bypass switch, and the system prefers to put the load on the bypass, to achieve the aim of energy-saving. When the bypass supply is within the range of normal frequency and normal voltage (adjustable), the load is powered by the bypass, with the inverter on stand-by; when the voltage and/or frequency of the bypass supply are beyond the pre-defined and adjustable limits, the system will transfer to the inverter output, and the transfer time for switching from bypass to inverter is less than 2ms (uninterrupted) and less than 5ms (interrupted). In this mode, the system can normally charge the battery.

Figure 2.7 Schematic diagram of ECO mode



No.	Description
1	Bypass input
2	Bypass input switch
3	Static switch
4	Mains input
5	Rectifier input switch
6	Rectifier
7	Inverter
8	Automatic inverter switch
9	Output switch
10	UPS output
11	Battery
12	Battery charger

If ECO mode is required, adjust corresponding parameters through the touch screen.

The operation method of ECO mode is the same as the description in Single UPS Operation Introduction. However, in normal mode, the load is powered by the bypass, the TOUCHSCREEN displays 'Bypass mode'.



WARNING! In ECO mode, the load is not protected against mains distortion.

Frequency converter mode

The UPS can be programmed into frequency converter mode for either 50 Hz or 60 Hz stable output frequency. The input frequency may vary from 40 Hz to 70 Hz. Under this mode, it is required to open the maintenance bypass switch to disable the static bypass operation, and the battery becomes optional depending on any requirement to operate in battery mode. The frequency converter mode can be set by the service engineer through the setting software.

Parallel redundancy mode (system expansion)

For higher capacity or reliability, the outputs of multiple UPS modules can be programmed for directly paralleling while a built-in parallel controller in each UPS module ensures automatic load sharing. The parallel system can be composed of up to four UPS modules. For the operation principle diagram of the parallel redundancy mode, see **Figure 8.1** on page 150.

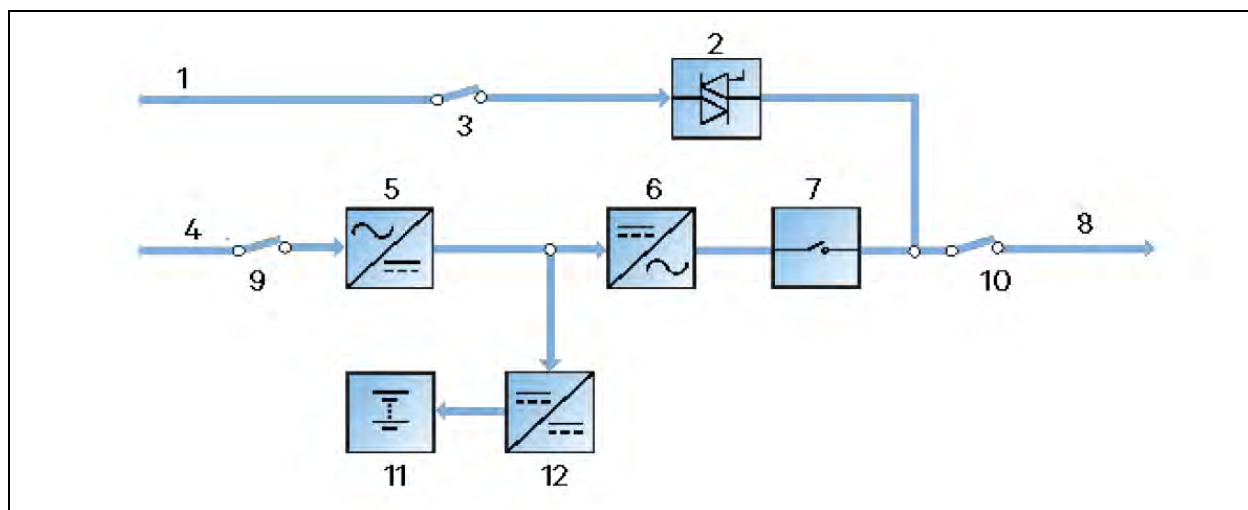
LBS mode

A dual bus system consists of two independent UPS systems, each containing one or more parallel UPS modules. The dual bus system has high reliability and is applicable to the load with multiple inputs. For single-input load, an STS can be installed to power the load. For the operation principle diagram of the LBS mode, see **Figure 8.5** on page 158 and **Figure 8.6** on page 159.

Dynamic online mode

As shown in **Figure 2.8** on the next page, if this mode is selected, all power switches and the battery switches are closed except for the maintenance bypass switch, and the system prefers to put the load on the bypass, to achieve the aim of energy-saving. When the load power is fed by bypass supply, the inverter is in the mode of power quality compensation for the bypass voltage. When the voltage of the bypass supply is beyond the predefined and adjustable limits, the system will transfer to the inverter output. In this mode, the system can normally charge the battery.

Figure 2.8 Dynamic online mode



No.	Description
1	Bypass input
2	Static switch
3	Bypass input switch
4	Mains input
5	Rectifier
6	Inverter
7	Inverter switch
8	UPS output
9	Rectifier input switch
10	Output switch
11	Battery
12	Battery charger

2.5 Battery Management

The following battery management functions are set by the service engineer through the Vertiv firmware setting.

2.5.1 Normal Function

1. Constant current boost charge

Adopt the constant current (within battery charging limit) to charge the battery. This function can be used for fast recovery of battery capacity. The charge current can be set.

2. Constant voltage boost charge

Adopt the constant voltage to charge the battery. This function can be used for fast recovery of battery capacity. For VRLA batteries, the maximum boost charge voltage should not exceed 2.4 V/cell.

3. Float charge

This charging method is used to keep battery in full capacity. The float charge voltage is generally low. This function can balance the capacity loss due to battery self discharge, and can be used for battery capacity recovery.

For VRLA batteries, the float charge voltage should be between 2.2 V/cell and 2.3 V/cell.

4. Automatic transfer to float charge

When the charge current is less than 'Threshold of Equalize Charge to Float Charge' or 0.5 A, the charger will automatically transfer from boost charge to float charge. When boost charge time exceeds the limit of 'Equalize Charge Protect Time Limit', the charger will be forcibly transferred to float charge for protecting the battery.

5. Float charge temperature compensation (optional)

This function must be used together with the battery temperature detection device. The Vertiv battery temperature sensor is a standard option for your selection.

6. EOD protection

When the battery voltage drops to the EOD voltage, the battery converter shuts down automatically and the battery is inhibited to avoid further battery discharge. The EOD voltage is settable from 1.60 V/cell to 1.90 V/cell (VRLA).

7. Battery low pre-warning time

The battery low pre-warning time is adjustable between 3 min and 60 min. The default setting is 5 min.

8. Maximum battery discharge time

When the battery has small current discharge for a long time, the battery is over discharged and even has unrecoverable damage, thus setting a battery discharge time to protect the battery is essential. The limit of time setting shall be configured by service engineer through the Vertiv firmware setting.

9. Maximum boost charge protection time

To protect against the battery overcharge damage caused by long time boost charge, a protect time setting is essential. The limit of time setting shall be configured by service engineer through the Vertiv software setting.

2.5.2 Advanced Function

The UPS provides battery maintenance test function. At periodic intervals, 20% of the rated capacity of the battery will be discharged automatically, and the actual three-phase load must exceed 20% of the nominal UPS capacity. If the load is less than 20%, the automatic discharge cannot be executed. The periodic interval can be set from 30 to 360 days. The battery maintenance test function can be disabled through the Vertiv software setting.

Conditions: Battery at float charge for at least 5 h, load equal to 20% to 100% of rated UPS capacity.

Trigger: Automatically or manually through the command of battery maintenance test in touch screen.

Interval: 30 to 360 days (default setting: 60 days).

The UPS also provides battery capacity self-test function: Periodically test the battery activity, test the battery residual capacity, judge the battery quality, and then provide corresponding measures. The capacity self-test is started by the user through the touch screen. During the capacity self-test, the battery will continuously discharge to the battery under-voltage shutdown threshold. After the self-test is finished, the system will update the battery curve table. The capacity self-test command is valid only one time, without any memory. During the capacity self-test, if the battery maintenance requirement is satisfied, the system will generate audible/visual alarm and give corresponding records.

Conditions: System load rate is within 20% to 100%, battery float charge at least 5 h, and generator not connected; the current system is in float charge state.

Trigger: Start up through the touch screen.

NOTE: The battery will continuously discharge to the battery under-voltage shutdown threshold, then the battery will transfer to the charging state. When the capacity self-test is finished, the system will update the battery curve table.

NOTE: The user can manually stop the capacity self-test operation through the touch screen.

2.5.3 Battery Temperature Compensation

The UPS system has battery charge temperature compensation function. When the ambient temperature is increased, the DC bus voltage (which charges the battery) will be reduced correspondingly to provide optimal charging voltage for the battery, thus prolonging the battery service life time.

This function must be used together with the Vertiv battery temperature detection device (a standard option).

2.6 Battery Protection



WARNING! The user must select an appropriate MCCB to protect against short circuit and overload for the battery. We recommend using Vertiv BCB box to provide a better solution.

The following battery protection functions are set by the service engineer through the Vertiv software setting.

Battery low pre-warning

The battery low pre-warning occurs before the EOD. After this pre-warning, the battery should have the capacity of three minutes discharging with full load. The time can be configured from 3 min to 60 min.

EOD protection

When the battery voltage drops to the EOD voltage, the battery converter shuts down automatically. For VRLA batteries, the EOD voltage is adjustable from 1.60 V/cell to 1.90 V/cell (VRLA).

BCB alarm

The BCB alarm occurs when the external BCB opens, if you select the Vertiv BCB (optional).

The external battery connects to the UPS through the BCB. The BCB is manually closed and tripped by the UPS control circuit.

This page intentionally left blank

3 Mechanical Installation

This chapter briefly introduces the mechanical installation of the UPS, including the precautions, initial inspection before installation, environmental requirement, mechanical requirement, and installation diagram.

3.1 Precautions

This chapter describes the environmental and mechanical requirements and mechanical considerations that must be taken into account when planning the positioning and cabling of the UPS equipment.

Because each site has its particular characteristics, this chapter does not provide the detailed installation steps, it only acts as a guide for the general procedures and practices that should be observed by the installing engineer, so that they can properly handle the specific situation of the site.



WARNING! Professional installation required

Do not disassemble the package without the permission of authorized service engineer.
The UPS should be installed by an authorized engineer in accordance with the information contained in this chapter.



WARNING! The UPS can be connected to IT, TN, and TT AC distribution systems (IEC60364-3) and must be of 3-phase 5-wire (A, B, C, N, PE) system.



WARNING! Battery danger

Take special care when installing batteries. When connecting batteries, the battery terminal voltage will reach 320 Vdc, which is fatal to human being.

Please wear safety glasses to protect the eyes from being damaged by the electric arc.

Remove all the metal items, including finger rings, watch, etc.

Use tools with insulated handle.

Wear rubber gloves.

If the battery has electrolyte leakage or the battery is damaged, it must be replaced. Place the battery into the container that can withstand sulfuric acid and dispose of it according to the local regulations.

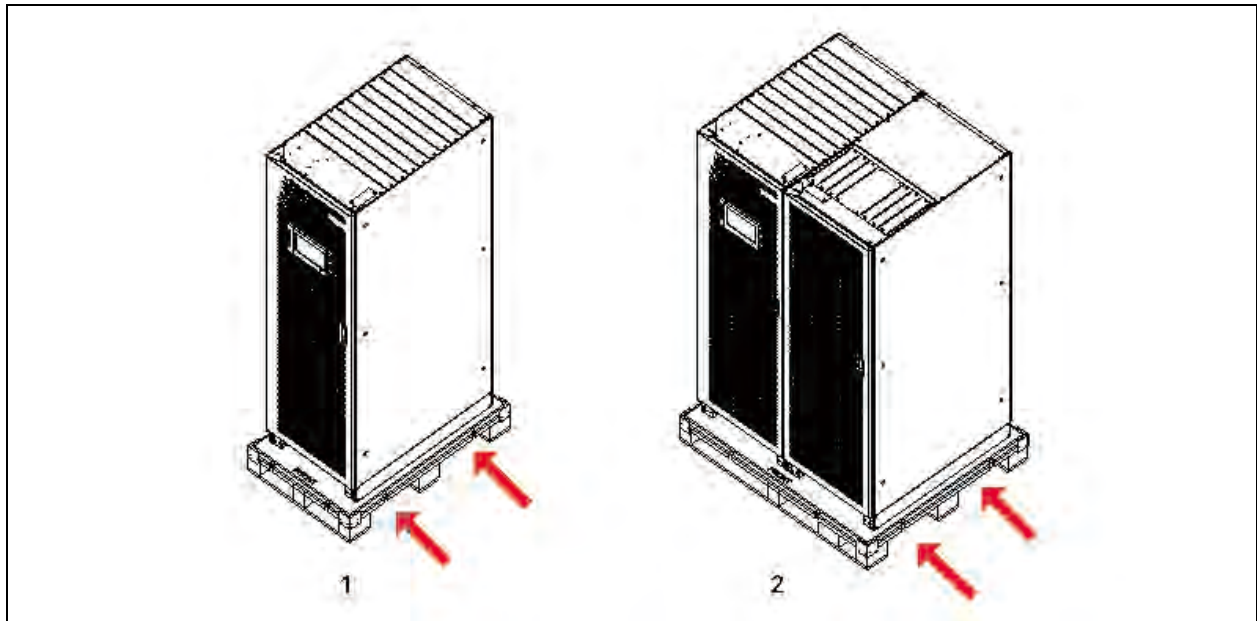
If the skin comes in contact of electrolyte, flush it with water immediately.

3.2 Transportation

Railroad transportation and shipping are the recommended means of transportation. If truck transportation is unavoidable, choose roads that are less bumpy in order to protect the equipment.

The UPS cabinet is heavy (see **Table 12.3** on page 182 for the weight). We recommend using mechanical equipment such as an electric forklift to unload and move the equipment to the place closest to the installation site. If an electric forklift is used, insert the tines of the forklift below the bottom pallet (as shown in **Figure 3.1** below) to prevent the equipment from falling over. During transportation, the tipping angle of the cabinet cannot exceed 15 degrees.

Figure 3.1 Inserting and movement (Cabinet front)



No.	Description
1	Without switch, Single switch
2	Four switches

3.3 Tools















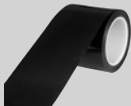


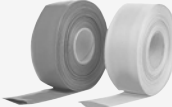






WARNING! For the sake of safety, the installation tools under live operation must be insulated.



WARNING! Tools in **Table 3.1** on the facing page are for reference only; please follow the actual requirement for on-site installation and connection.

Table 3.1 Tools

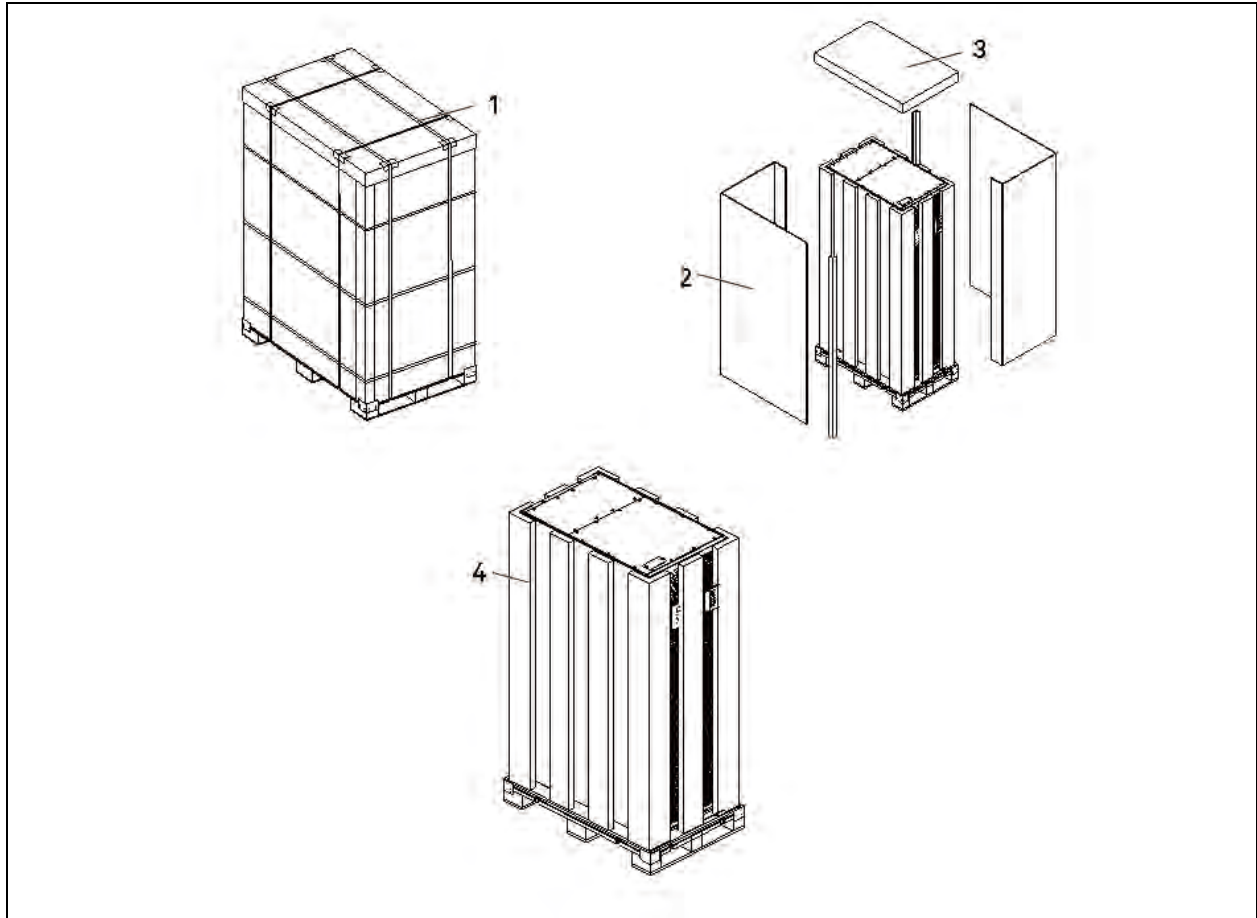
Name	Drawing	Name	Drawing
Electric hand drill		Adjustable wrench	
Slotted screwdriver		Cross head screwdriver	
Stepladder		Forklift	
Drill		Wire cutting plier	
Claw hammer		Diagonal cutting plier	
Insulating shoes		Antistatic gloves	
Electrician knife		Cable tie	
Insulating tape		Insulating gloves	
Crimping plier		Heat shrinkable tube	
Insulated torque wrench		Torque screwdriver	
Multimeter		Clip-on ammeter	

3.4 Unpacking

Unpack the UPS and battery packages under the guidance of authorized service engineer. Follow the steps given below:

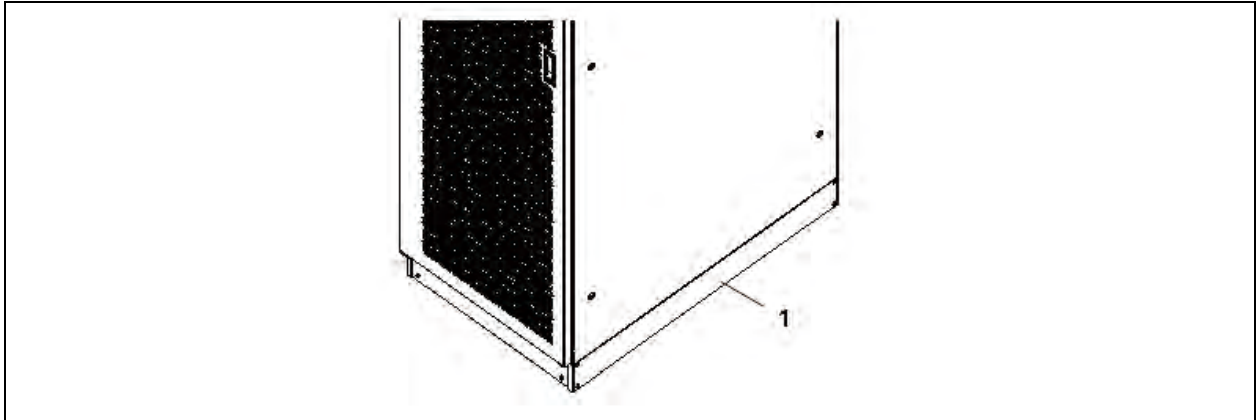
1. As shown in **Figure 3.2** below, remove the packing belts and honeycomb boards.

Figure 3.2 Removing the packing belts and honeycomb boards



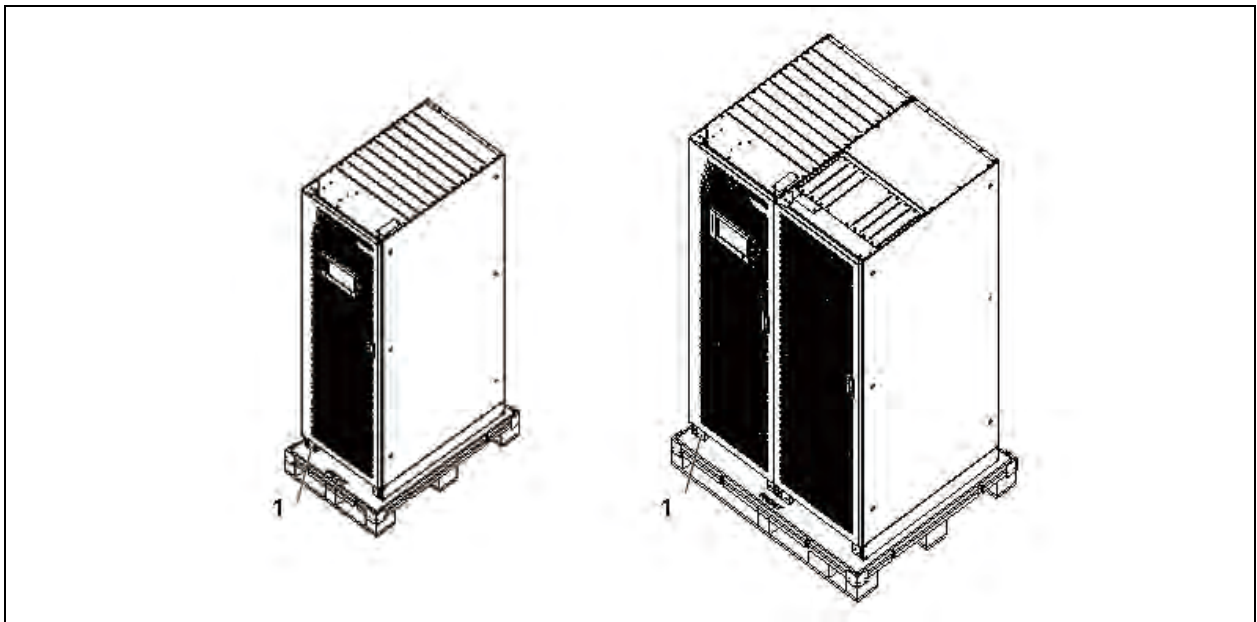
No.	Description
1	Packing belt
2	Carton Box
3	Top Cover
4	Honeycomb board

2. Remove the bottom ratguards, see **Figure 3.3** on the facing page. When the UPS is in position, please note to reinstall the ratguards.

Figure 3.3 Removing ratguards

No.	Description
1	Ratguard

3. According to **Figure 3.4** below, remove the fixing bolts at bottom of the cabinet.

Figure 3.4 Removing bottom bolts

No.	Description
1	Fixing bolt

4. Use the forklift to move the cabinet to its installation position, and fasten it to the ground.

3.5 Initial Inspection

Before installing the UPS, carry out the following inspections:

1. Ensure that the environment of the UPS equipment room meets the environmental requirement specified in the product technical specifications, especially the ambient temperature, ventilation conditions, and the dust situations.
2. Unpack the UPS and battery under the guidance of authorized service engineer. Visually inspect whether the UPS and battery have any transportation damage. If there is any damage, report to the carrier or Vertiv representative immediately.
3. Verify the UPS label and confirm the correctness of the UPS. The UPS label is attached on the back of the door. The model, capacity, and key parameters of the UPS are marked on the label.

3.6 Environmental Requirement

3.6.1 UPS Location Selection

The UPS should be located in a cool, dry, clean-air indoor environment with adequate ventilation, and should be located on concrete or other non-flammable and flat surfaces. The ambient environment should be free of conductive powder (such as metallic powder, sulfide, sulfur dioxide, graphite, carbon fiber, conductive fiber, etc.), acid mist or other conductive media (strongly ionized substances). The environment specifications should comply with relevant international standard & specifications and the operating range (see **Table 12.2** on page 181 specified in this manual).

The UPS uses forced cooling by internal fans. Cooling air enters the UPS through the ventilation grills at the front of the cabinet and exhaust through the ventilation grills at the back of the cabinet. Do not obstruct the ventilation holes (ventilation grills). The rear of the UPS should be kept a distance at least 500 mm from the wall to avoid blocking the UPS heat dissipation, thus reducing the UPS internal temperature and improving the UPS life.

If necessary, install indoor extractor fans to aid cooling-air flow to avoid room temperature buildup. Air filters (optional) should be used when the UPS is to operate in a dirty environment.

NOTE: When the battery cabinet is installed near the UPS, the maximum allowable ambient temperature is dependent on the battery rather than the UPS.

NOTE: If the UPS is working in ECO mode, the power consumption will be less than that in Normal mode. Proper air conditioning system shall be selected according to the normal operating mode.

3.6.2 Battery Location Selection

Batteries generate some amount of hydrogen and oxygen at the end of charge, so the fresh air volume of the battery installation environment must meet the EN50272-2001 requirements.

The ambient temperature is the main factor that affects the battery capacity and life. The normal operating temperature of the battery is 20 °C. If the ambient temperature is higher than 20 °C, the battery life will be reduced. If it is lower than 20 °C, the battery capacity will be reduced. In normal situation, the allowable ambient temperature for the battery is 15 °C to 25 °C. The ambient temperature of the battery shall be maintained constant, and the battery shall be kept away from heat source and air outlet.

Battery can be installed inside the specialized battery cabinet which shall be close to the UPS. If the battery is placed on the raised floor, bracket shall be installed under the floor, just as for the UPS. If the battery adopts rack mounting or is mounted far from the UPS with other installation mode, the battery circuit breaker shall be installed near the battery, and the cabling distance shall be minimized.

3.6.3 Storage

If the UPS is not installed immediately, it must be stored with the original packaging in a room for protection against excessive humidity and heat source (see **Table 12.2** on page 181). The battery needs to be stored in a dry and cool place with good ventilation. The most suitable storage temperature ranges from 20 °C to 25 °C.



WARNING! During battery storage, periodically charge the battery according to the battery manufacturer instructions. In the charge process, temporarily connect the UPS to the mains and activate the battery by recharging the battery.

3.7 Mechanical Requirement

3.7.1 Composition

The UPS single switch contains the cabinet of 600 mm width, which provides the maintenance bypass switch Q3.

The UPS four switches contains the cabinet of 1200 mm width, which provides the rectifier input switch Q1, bypass input switch Q2, maintenance switch Q3, and output switch Q5.

3.7.2 Moving Cabinet



WARNING! The lifting equipment for moving the UPS cabinet must have enough lift capacity.



WARNING! The center of gravity of the UPS cabinet is high; avoid falling over during the cabinet movement.



WARNING! Vertical hanging of cabinet is not allowed.

Ensure that the weight of the UPS does not exceed the capacity of the lifting equipment. For the UPS weight, refer to **Table 12.3** on page 182.

The UPS cabinet can be moved by forklift or other similar lifting equipment.

3.7.3 Clearance

Because the UPS has no perforated doors at the two sides, there is no special clearance requirement on the two sides.

Besides the local regulations, to enable routine tightening of the power terminals within the UPS, it is recommended that clearance around the front of the UPS should be larger than 1200 mm and sufficient to enable free passage of personnel with the door fully open. Meanwhile, maintain at the back of the cabinet a clearance at least 500 mm to permit adequate circulation of air coming out of the UPS.

3.7.4 Cable Access Mode

For single switch UPS, only top cable entry arrangement is possible.

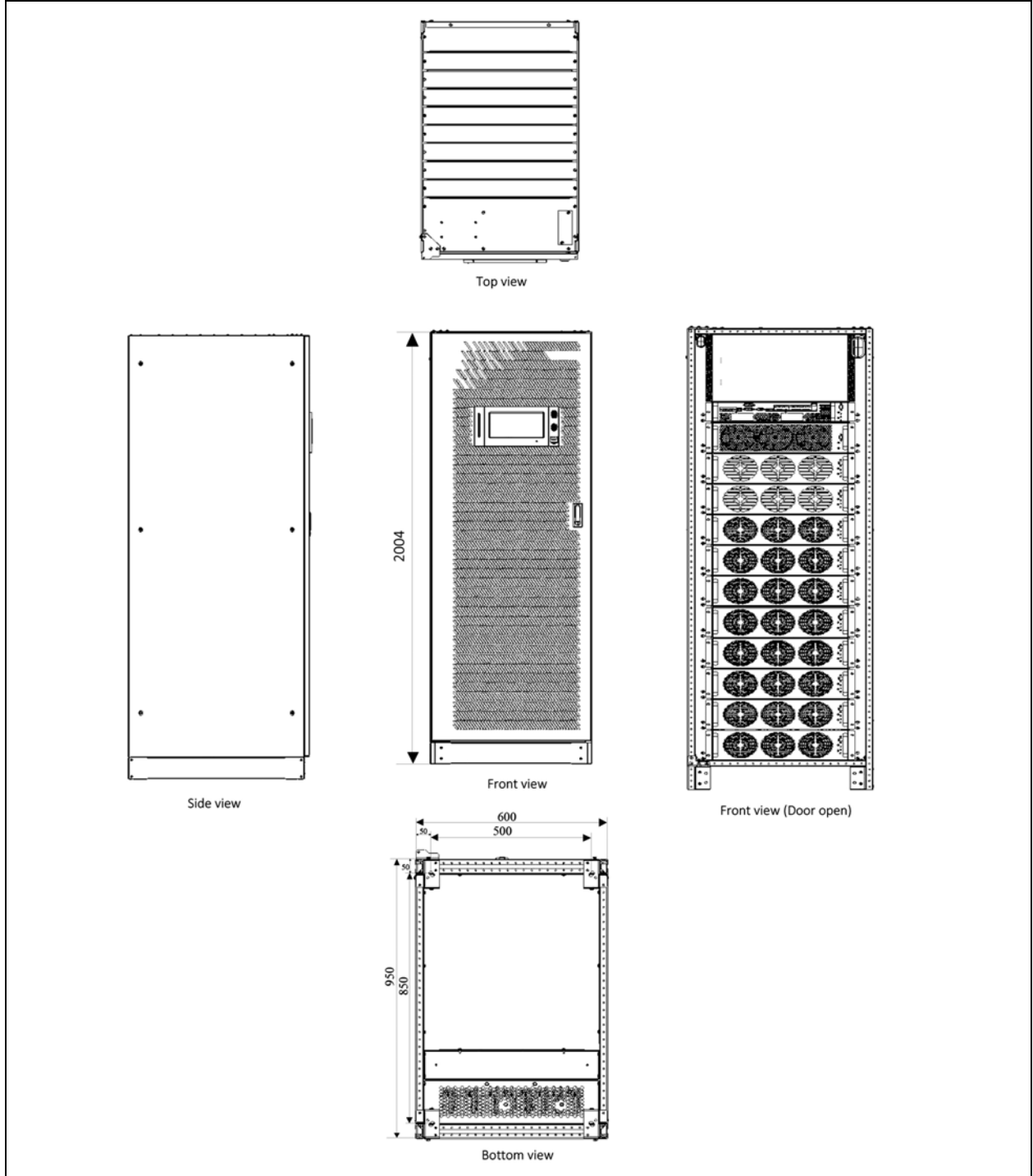
For the UPS with four switches, both top and bottom entry arrangement can be possible.

For further description, refer to Power Cable Connection Steps and Signal Cable Connection Steps.

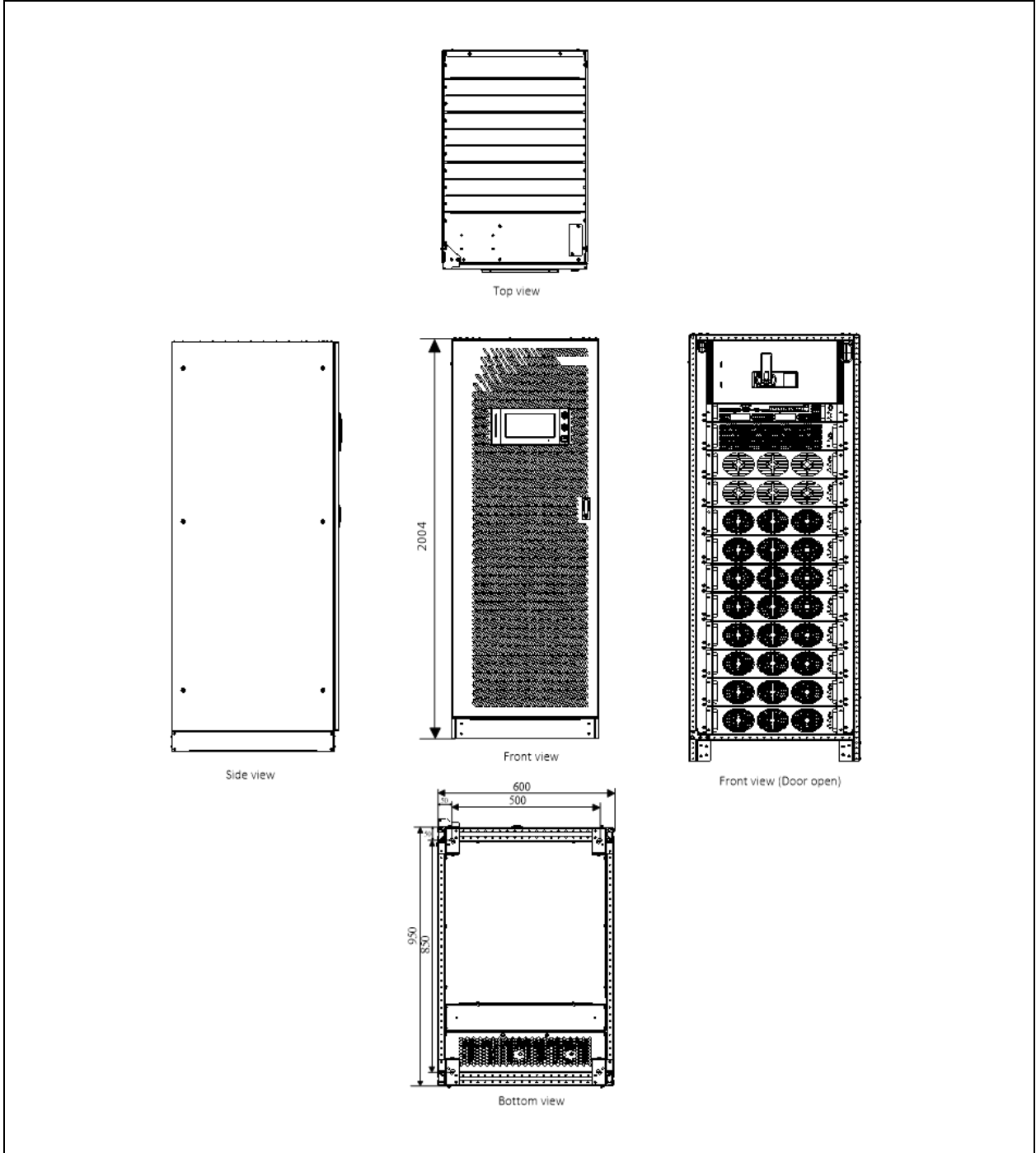
3.8 Installation Drawings

Figure 3.5 Installation diagram of without switch, single switch and four switches (unit: mm)

(a) Without switch (500kVA)

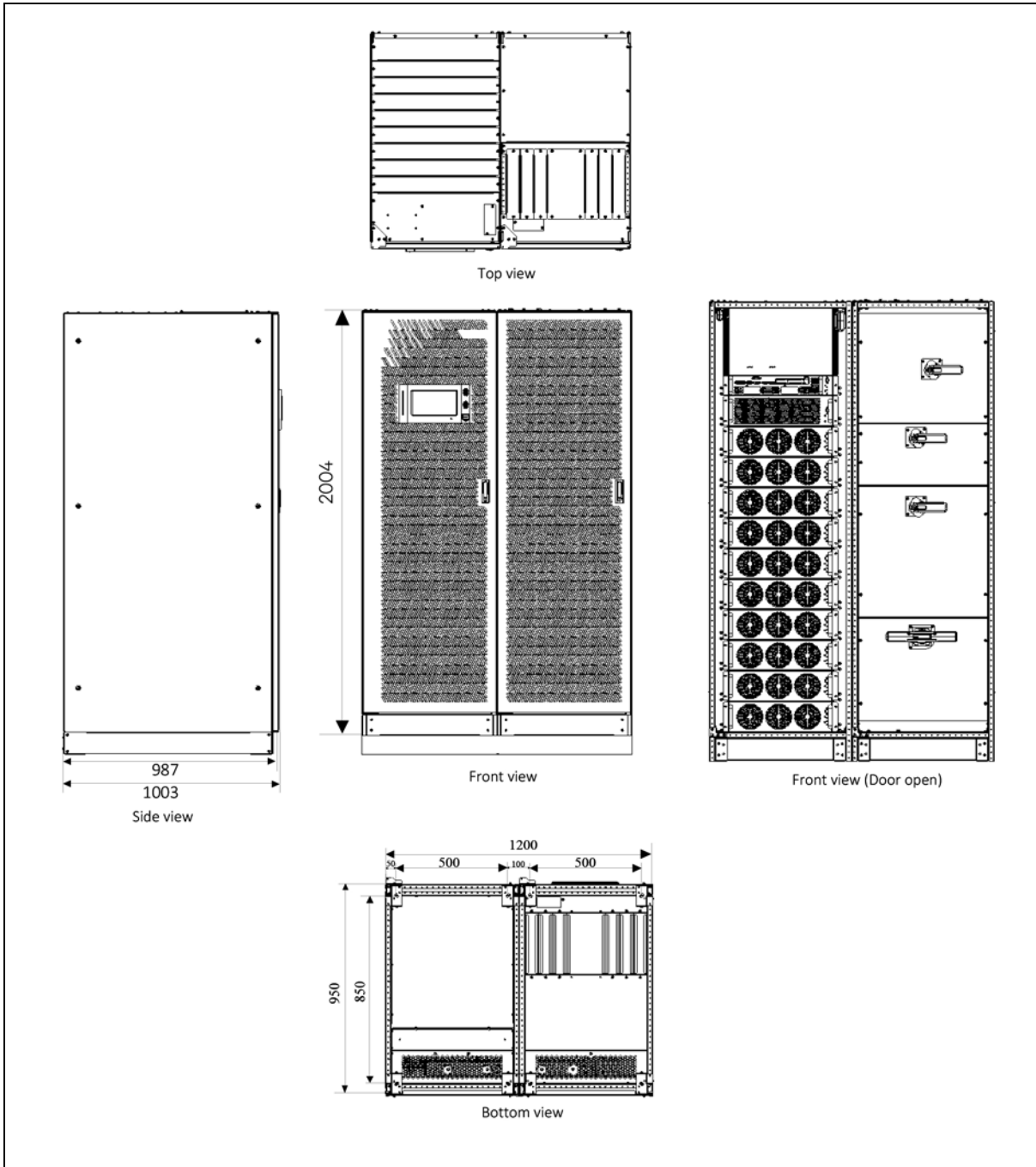


(b) Single switch (500 kVA) (Applicable for APAC Region)



NOTE: The Maintenance Bypass switch is omitted if bypass fuse assembly (KAIC subassembly) are integrated in the cabinet.

(c) Four switches (500 kVA)



4 Electrical Installation

This chapter mainly introduces the electrical installation of the UPS, including the power cable and signal cable connecting procedures and methods.

After completing the mechanical installation of the UPS, it is necessary to connect the power cable and signal cable of the UPS. All the signal cables, whether shielded or not, shall be kept away from the power cables.



WARNING! Do not power on the UPS before the arrival of authorized service engineer.



WARNING! The UPS cables should be routed by an authorized engineer in accordance with the information contained in this chapter.

4.1 Wiring of Power Cable

4.1.1 System Configuration

The cable size of the system power cable shall meet the following requirements:

UPS input cable

The cable size of the UPS input cable differs with the UPS power ratings and input AC voltages, provided that it meets the requirement of maximum input current, including the maximum battery charge current, see **Table 4.1** on the next page.

UPS bypass and output cable

The cable size of the UPS bypass and output cable differs with the UPS power rating and output AC voltages, provided that it meets the requirement of nominal output or bypass current, as shown in **Table 4.1** on the next page.

Battery cable

Each UPS connects to its battery through the three cables connecting to the positive pole, negative pole and neutral line. The cable size of the battery cable differs with the UPS power ratings, provided that it meets the battery discharge current requirement when the battery discharges to near EOD voltage, as shown in **Table 4.1** on the next page.

4.1.2 Maximum Steady State AC and DC Currents

The power cable must be selected according to the current and voltage values in **Table 4.1** on the next page as well as the local wiring regulations, and take environmental conditions (temperature and physical media) into consideration, then refer to Table 3B in IEC 60950-1.

Table 4.1 Max. steady state AC and DC currents

UPS power (kVA)	Rated current (A)				Bus stud bolt/nut specification		
	Max. input current ^{1,2}	Output/bypass current ² at full load			Battery discharge ³ current (+, -, N) at rated battery voltage	Input, battery, output, bypass/PE cable	Recommended torque (Nm)
		380 V	400 V	415 V			
400 kVA	796	606	578	557	877	M12	40
						M16	120
500 kVA	995	760	726	696	1097	M12	40
						M16	120

Note:

- Max. input current is calculated according to the low voltage input of 176 V and 100% load percentage.
- Max. output/bypass current is calculated according to the rated voltage and 100% load percentage.
- The battery discharge current is the value calculated when the number of battery cells is 40, the standard voltage is 480, the load is 100%, and the overall efficiency is 0.95.

4.1.3 Recommended CSA of UPS Cable

The recommended CSA of the UPS cable is listed in **Table 4.2** below.

Table 4.2 Recommended CSA of the UPS single module cable (unit: mm², ambient temperature: 25 °C)

Item			250kVA	300kVA Single switch, No switch	300kVA Four switches	400kVA Single switch, No switch	400kVA Four switches	500kVA Single switch, No switch	500kVA Four switches
	Bolt qty./size		1/M12	4/M12	3/M12	4/M12	6/M16	4/M12	6/M16
Mains input	Current (A)		415	557	557	743	743	929	929
	Recommended cable	L1	2*120	2*150	2*150	2*240	2*240	3*185	3*185
		L2	2*120	2*150	2*150	2*240	2*240	3*185	3*185
		L3	2*120	2*150	2*150	2*240	2*240	3*185	3*185
		N	2*120	2*150	2*150	2*240	2*240	3*185	3*185
		PE	1*120	1*150	1*150	1*240	1*240	1*240	1*240
Bypass input	Current (A)		380	456	456	608	608	760	760
	Recommended cable	L1	2*120	2*150	2*150	2*240	2*240	3*185	3*185
		L2	2*120	2*150	2*150	2*240	2*240	3*185	3*185
		L3	2*120	2*150	2*150	2*240	2*240	3*185	3*185
		N	2*120	2*150	2*150	2*240	2*240	3*185	3*185
		PE	1*120	1*150	1*150	1*240	1*240	1*240	1*240

Table 4.2 Recommended CSA of the UPS single module cable (unit: mm², ambient temperature: 25 °C) (continued)

Item		250kVA	300kVA Single switch, No switch	300kVA Four switches	400kVA Single switch, No switch	400kVA Four switches	500kVA Single switch, No switch	500kVA Four switches	
Bolt qty./size		1/M12	4/M12	3/M12	4/M12	6/M16	4/M12	6/M16	
Output	Current (A)	380	456	456	608	608	760	760	
	Recommended cable	U	2*120	2*150	2*150	2*240	2*240	3*185	3*185
		V	2*120	2*150	2*150	2*240	2*240	3*185	3*185
		W	2*120	2*150	2*150	2*240	2*240	3*185	3*185
		N	2*120	2*150	2*150	2*240	2*240	3*185	3*185
PE	1*120	1*150	1*150	1*240	1*240	1*240	1*240		
Battery input	Nominal current (A)	548	658	658	877	877	1097	1097	
	Max. current (A)	658	789	789	1053	1053	1316	1316	
	Recommended cable	BAT+	2*185	2*185	2*185	2*240	2*240	3*185	3*185
		BAT-	2*185	2*185	2*185	2*240	2*240	3*185	3*185
		N	2*185	2*185	2*185	2*240	2*240	3*185	3*185
PE		1*120	1*150	1*150	1*240	1*240	1*240	1*240	

Note:

- The nominal discharge current of the battery refers to the current value under the voltage of 480 V when the battery is equipped with 40-block 12 V batteries.
- The maximum discharge current is the current value when the indicator is equipped with 40-block 12 V batteries at EOD, that is, the discharge current when 240-block 2 V single batteries are 1.67 V/cell.
- The battery cable specification is selected 40-block by default, which is compatible with the application scenarios of 28 to 50-block (refer to **Table 12.5** on page 183 for load derating).

4.1.4 Selection of UPS I/O Switch and Battery Switch

The user can select the switch according to actual needs. Refer to **Table 4.1** on the previous page for I/O current and battery current value.

4.1.5 Distance between the UPS Connection Point and Floor

Table 4.3 Min. distance between UPS connection point and floor

UPS connection point	Min. distance (mm)		
	Without switch	Single switch	Four switches
Rectifier input	1743	1743	648
Bypass input	1743	1743	1225
AC Output	1743	1743	1495/1559
Battery supply	1743	1743	848/792
PE terminal	1835	1835	1348

4.1.6 Notes

The following points are for general guidance only. If there are relevant local regulations, the local regulations shall prevail.

1. The cable size of the protective earth cable shall be selected according to the AC power failure level, cable length, and protection type. The grounding wire connection must use the shortest connection route.
2. For the cables with large current, parallel connection of small cables can be adopted to facilitate the installation.
3. When selecting the battery cable size, the current value in **Table 4.1** on page 38 shall be referred to, and a maximum voltage drop of 4 Vdc is allowed.
4. Do not form coils, so as to minimize the formation of EMI.

4.1.7 Power Cable Connecting Terminal

The rectifier input, bypass input, output and battery power cables are connected to the corresponding terminals shown in **Figure 4.2** on page 43.

Table 4.4 Four Switches

Model	Input	Output	Bypass	N line	PE line	Battery
Holes	6/ M16	6/ M16	6/ M16	8/ M16	7/ M16	5/ M16

Table 4.5 Single Switch /No Switch

Model	Input	Output	Bypass	N line	PE line	Battery
Rivet nut	4/ M12	4/ M12	4/ M12	6/ M12 (hole)	3/ M16 (hole)	5/ M12

4.1.8 Protection Ground

The protective earth cable is reliably connected to the PE input terminal (see **Figure 4.2** on page 43) via the fixing bolt. All the cabinets and cable troughs shall be grounded according to the local regulations. The grounding wires shall be tied up reliably to prevent the loosening of the grounding wire tightening screws when the grounding wires are pulled.



WARNING! Failure to ground as required may cause EMI, electric shock, or fire risk.

4.1.9 External Protective Device

To ensure the safety, it is necessary to install external circuit breaker for the input and battery of the UPS. Because of the difference of the specific installations, this section only provides general practical information for the installation engineer. The qualified installation engineer should have the knowledge of the local wiring regulations on the equipment to be installed.

Input power supply of rectifier and bypass

1. Input overcurrent and short circuit protection

Install suitable protective devices in the distribution line of the incoming mains supply. The protective devices should provide functions such as the overcurrent protection, short circuit protection, isolation protection, and tripping upon backfeed. When selecting the protective devices, consider the power cable current-carrying capacity, system overload capacity (see **Table 12.6** on page 184 and (see **Table 12.7** on page 185) and the short circuit capability of the upstream power distribution.

2. Split bypass configuration

If the UPS adopts split bypass configuration, independent protective device shall be installed respectively on the rectifier input and bypass input distribution lines.

NOTE: The rectifier input and bypass input must use the same neutral line.

NOTE: For IT grid system, 4-pole protective components must be installed for the UPS external input power distribution.

3. Ground fault protection

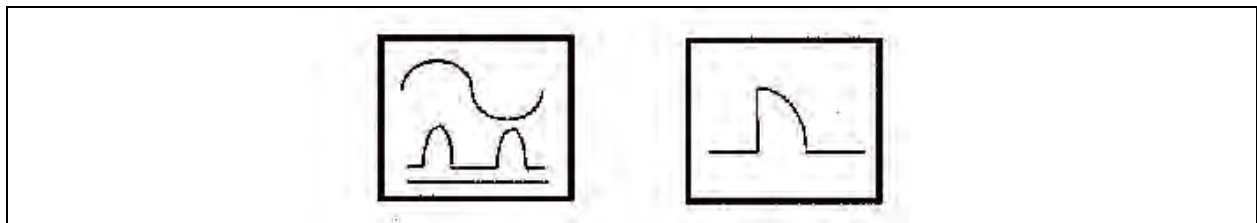
If the upstream input power supply has an RCD, the transient state and steady state ground leakage current upon the startup of the UPS shall be considered.

The RCCB shall meet the following requirements:

- Be sensitive to the DC unidirectional pulse (class A) of the whole distribution network
- Be insensitive to transient state current pulse
- Have an average sensitivity which is 0.3 A to 3 A adjustable

The RCCB symbols are shown in **Figure 4.1** below.

Figure 4.1 RCCB symbols



The UPS has an internal EMC filter, therefore the protective earth cable has leakage current which is less than 3000 mA. It is recommended to confirm the RCD sensitivity of the upstream input distribution and the downstream distribution (to the load).

External battery

The BCB (mandatory) must be installed for protecting the external battery. The UPS provides a mandatory BCB cabinet to provide overcurrent protection, short circuit protection and automatic tripping functions for the external battery.

This BCB is important for the battery maintenance, and is installed near the battery.

System output

The UPS output distribution shall be configured with a protective device. The protective device shall be different from the input distribution protection switch and able to provide overload protection (refer to **Table 12.6** on page 184 and **Table 12.7** on page 185).

NOTE: For IT grid system, 4-pole protective components must be installed for the UPS external input power distribution.

4.1.10 Power Cable Connection Steps

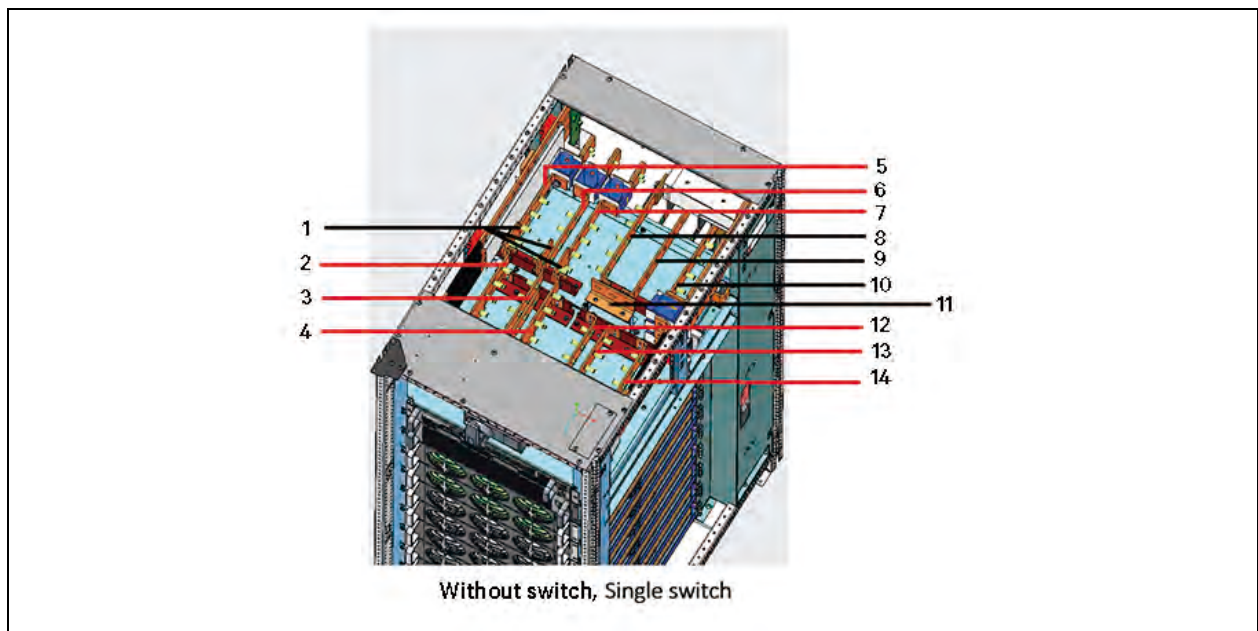
Connection terminal

Figure 4.2 below shows the connection terminals of the UPS power cable. Figure 4.3 on page 46 shows the power cable entry and routing methods, please refer to the cabling method to route cables and then connect them to corresponding terminals shown in Figure 4.2 below.

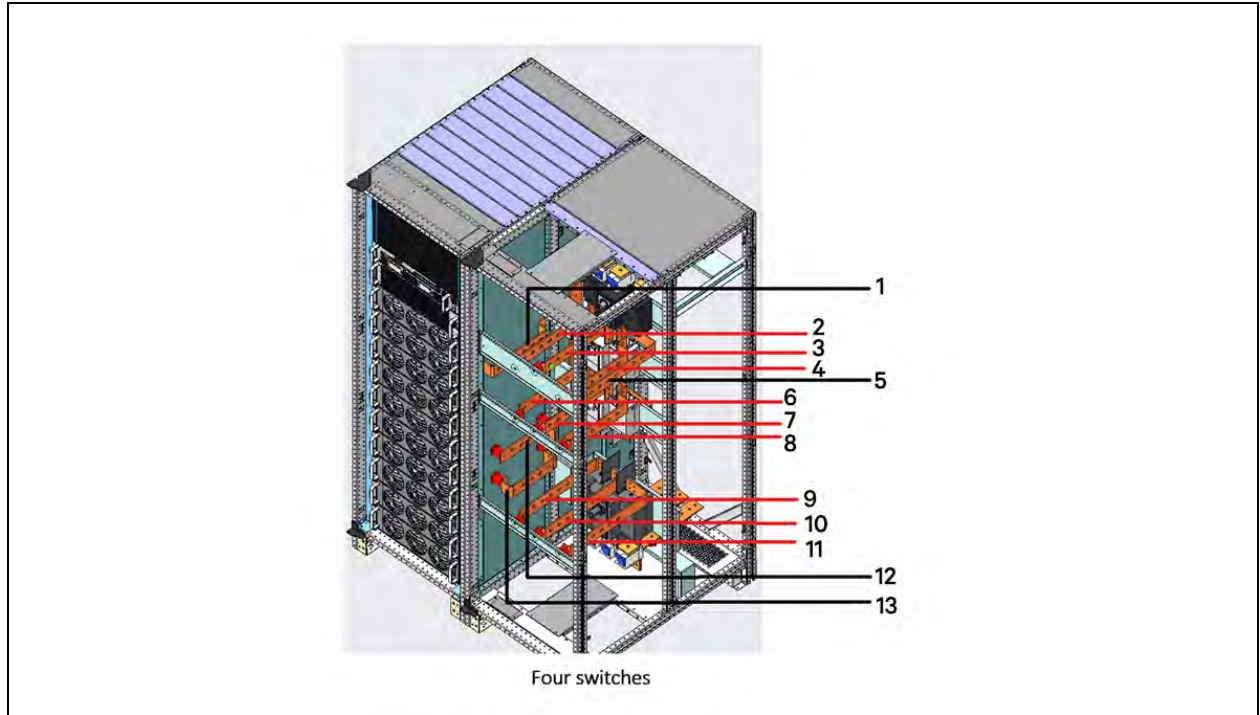
NOTE: The power cables should be routed through tunnels or cable troughs to prevent cable damage due to mechanical stress.

NOTE: When routing the cables inside the cabinets, it is required to bind and fix the cables, so as to prevent cable damage due to mechanical stress.

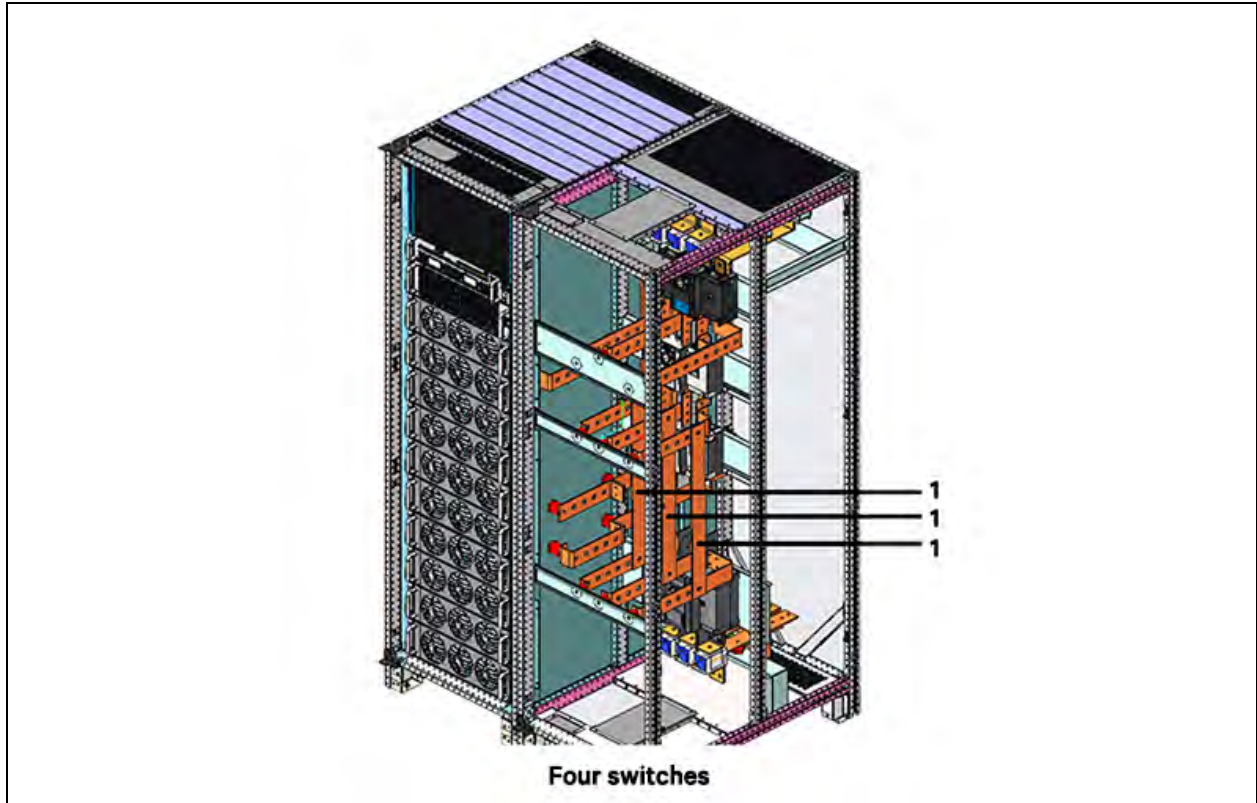
Figure 4.2 Power cable connection terminals of 500 kVA



No.	Description	No.	Description
1	Shorting copper bar of common input source	8	Bat-
2	bC	9	N
3	bB	10	Bat+
4	bA	11	PE
5	mC	12	oA
6	mB	13	oB
7	mA	14	oC



No.	Description	No.	Description
1	PE	8	bC
2	oA	9	mA
3	oB	10	mB
4	oC	11	mC
5	N	12	Bat +
6	bA	13	Bat -
7	bB		

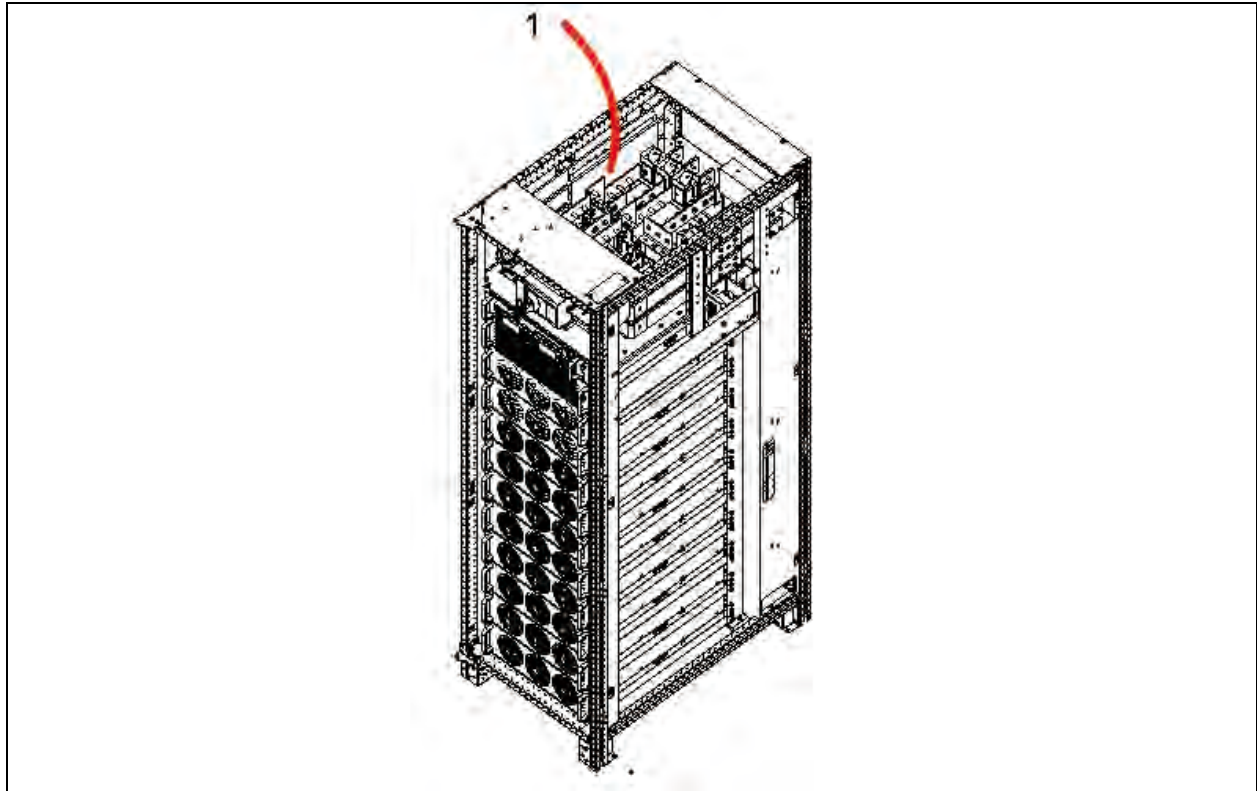


No.	Description
1	Shorting copper bar of common Input source

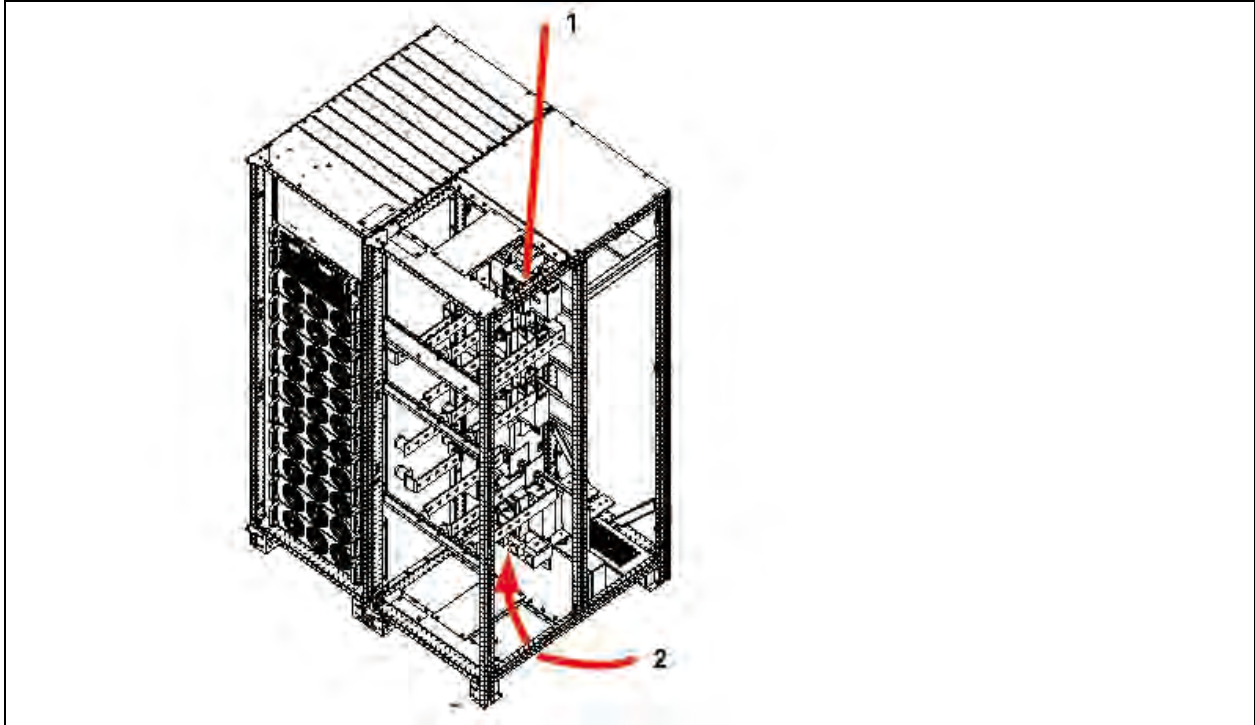
Cabling method

The four switches model supports both top cable access and bottom cable access while the single switch only supports top cable access.

Figure 4.3 Power cables wiring route of 500 kVA



No.	Description
1	Step: Remove the top cover to lead cables into the cabinet, then connect them to corresponding terminals.



No.	Description
1	Step 1: Remove the top cover to lead cables into the cabinet, then connect them to corresponding terminals.
2	Step 2: Remove the bottom board to lead cables into the cabinet, then connect them to corresponding terminals.

! **WARNING!** Before cable connection, make sure that all external and internal power switches of the UPS are off, and post necessary warning signs to prevent inadvertent operation of the switches. Meanwhile, measure the voltages between the UPS terminals and the voltages between the terminals and the earth.

Refer to **Figure 4.2** on page 43 to **Figure 4.3** on the previous page, open the front door of the UPS, and remove the protective cover to reveal the power cable connection terminals (see **Figure 4.2** on page 43). Connect the protective earth cable to the PE input terminal in the cabinet.

! **WARNING!** The earth cables and neutral line must be connected in accordance with local and national codes of practice.

! **WARNING!** Failure to observe this could result in electric shock or fire risk.

Connection of system input

1. Common input configuration

Connect the AC input cables to the bypass input terminals (bA-bB-bC) in the cabinet and ensure that the shorting copper bars between the rectifier input terminals and the bypass input terminals are connected correspondingly. Connect the input neutral line to the neutral terminal N in the cabinet. Ensure correct phase rotation.

2. Split bypass configuration (Factory Default)

Connect the rectifier input cables to the rectifier input terminals (mA-mB-mC) in the cabinet, and connect the bypass input cables to the bypass input terminals (bA-bB-bC) in the cabinet. Connect the rectifier input neutral line and bypass neutral line to the neutral terminal N in the cabinet. Ensure correct phase rotation.

Connection of system output

Connect the system output cables between the output terminals (oA-oB-oC-N) in the cabinet and the load. Refer to **Table 4.1** on page 38 for the torque value. Ensure correct phase rotation.



WARNING! If there is no requirement of power supply for the load before arrival of the service engineer, ensure that the system output cables are safely isolated at their ends.

Connection of batteries

Ensure correct polarity of the connections from the battery string terminals to the BCB and from the BCB to the battery input terminals (BAT+, N, BAT-) in the UPS cabinet, that is, (BAT+) to (+) and (BAT-) to (-), (N) to (N), but disconnect one or more battery cell links in each tier. Do not reconnect these links and do not close the BCB before authorized to do so by the service engineer.

NOTE: When connecting the cables between battery terminals and BCB, the connection should begin from the BCB terminal.

Now the connection is finished.

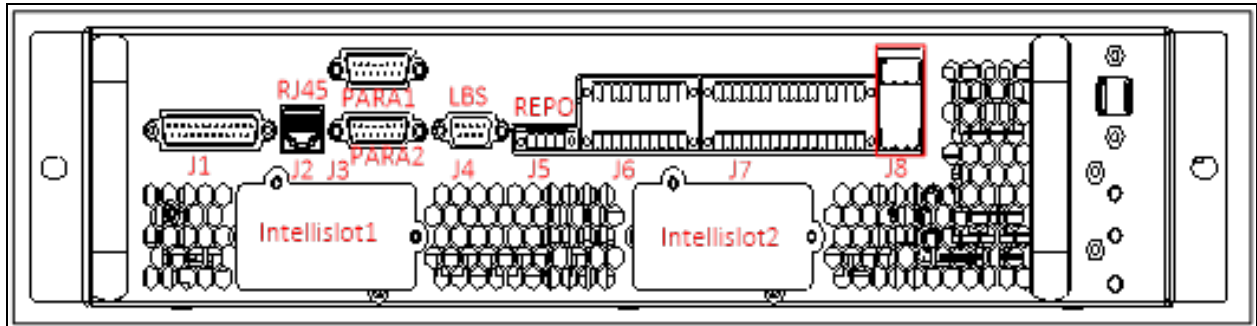
NOTE: After connection, take appropriate measures to seal the cable entry holes.

4.2 Wiring of Signal Cable

4.2.1 Overview

For on-site specific needs, the UPS needs auxiliary connection to realize battery system (including the external battery switch) management, communicate with PC, provide alarm signal to external devices, realize remote EPO or provide bypass back feed circuit breaker signal and parallel communication. These functions are realized through the communication box in the UPS cabinet. As shown in **Figure 4.4** below, the communication box provides the following ports.

Figure 4.4 Illustration drawing of communication ports



No.	Description
J2	Battery temperature detector port
J3	Parallel port
J4	LBS port
J5	REPO port
J6	BCB and battery port
J7	I/O dry contact port
J8	Back-feed port

4.2.2 Dry Contact Port J6

The dry contact port J6 is shown in **Figure 4.5** below and described in **Table 4.6** below.

Figure 4.5 Dry contact port J6

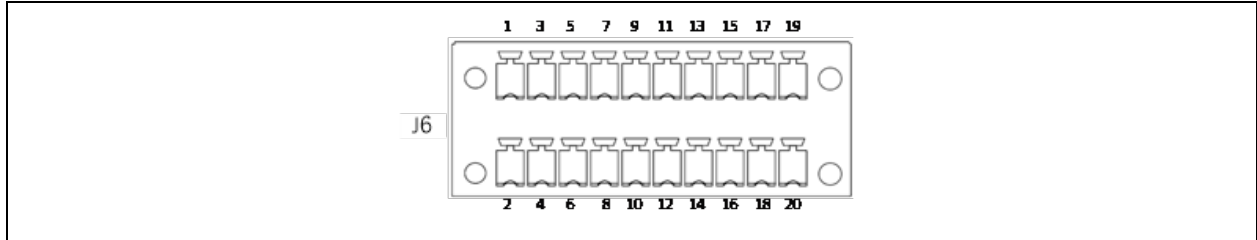


Table 4.6 Description of dry contact port J6

Pin	Name	Meanings	Pin	Name	Meanings
1	+12V	BCB driver signal	2	PARA_CAN_H	Reserved
3	BCB_STATUS	BCB state signal	4	PARA_CAN_L	Receive BMS closed signal to trig BMS fault alarm
5	GND	Dry ground	6	PARA_Mon_CAN_H	Receive BMS closed signal to trip BCB
7	BCB_ONLine	BCB on line signal	8	PARA_Mon_CAN_L	Reserved
9	PE	Reserved	10	Para_SER_BUS_H	Reserved
11	GND	Dry ground	12	Para_SER_BUS_L	Receive BMS closed signal to trip BCB
13	TMP_BAT	External battery temperature	14	NA	Reserved
15	+12V	Power	16	PE	Reserved
17	GND	Dry ground	18	battery_CAN_H	Reserved
19	BAT_Ground_FAULT	Battery ground fault	20	battery_CAN_L	Reserved

NOTE: The BCB drive signal and external battery temperature signal need shielded cables, and the both sides of the shielding coat must be well connected to the enclosure.

4.2.3 Dry Contact Port J7

The dry contact port J7 is shown in **Figure 4.6** below and described in **Table 4.7** below.

Figure 4.6 Dry contact port J7

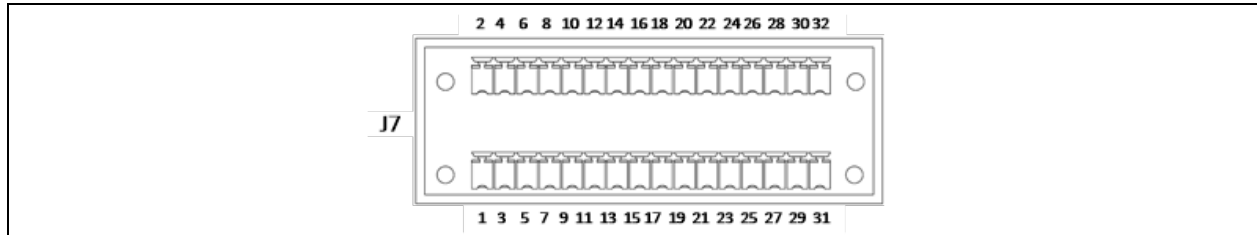


Table 4.7 Description of dry contact port J7

Pin	Name	Meanings	Pin	Name	Meanings
1	Q1_EXT_STATUS	External Input switch status (24 V/10 mA rated); Pin1/Pin3 shorted for Q1 EXT closed	2	GEN_MODE	Generator mode (24 V/10 mA rated). Pin2/Pin4 shorted for generator connected
3	GND_DRY		4	GND_DRY	
5	Q2_EXT_STATUS	External Bypass switch status (24 V/10 mA rated); Pin5/Pin7 shorted for Q2 EXT closed	6	TMP_BATT_IN	Internal battery temp (analog signal)
7	GND_DRY		8	+12_V_DRY	+12 V Power
9	QBP_STATUS	External Maintenance switch status (24 V/10 mA rated); Pin9/Pin11 open for QBP closed	10	Configurable input dry contact 1 J7-10/12	Inverter status (24 V/10 mA rated); available when pin10/12 opened. 0) Undefined 1) Battery fault 2) External maintenance isolation switch closed 3) ECO mode disabled (default) 4) Charger to be shut down 5) BCB tripping 6) Transfer to inverter disabled 7) Battery maintenance self-check starts 8) Battery maintenance self-check ends 9) Alarm cleared 10) Battery alarm 11) Battery low-voltage alarm
11	GND_DRY		12	GND_DRY	
13	QE_STATUS	Output switch status (24 V/10 mA rated); Pin13/Pin15 shorted for QE closed	14	ENV_DET	Battery room temperature status (24 V/10 mA rated). Pin14/Pin16 shorted for battery room temperature abnormal
15	GND_DRY		16	GND_DRY	

Table 4.7 Description of dry contact port J7 (continued)

Pin	Name	Meanings	Pin	Name	Meanings
17	GND_DRY	External maintenance isolation switch status (24 V/10 mA rated); Pin17/Pin19 shorted for QOP closed. Configurable input dry contact 2: 0) Undefined 1) Battery fault 2) External maintenance isolation switch closed (default) 3) ECO mode disabled 4) Charger to be shut down	18	Configurable input dry contact 3 J7-18/20	Charger shutdown (24 V/10 mA rated). Pin18/Pin20 shorted for charger off command. 0) Undefined 1) Battery fault 2) External maintenance isolation switch closed (default) 3) ECO mode disabled 4) Charger to be shut down
19	Configurable input dry contact 2 J7-17/19	5) BCB tripping 6) Transfer to inverter disabled 7) Battery maintenance self-check starts 8) Battery maintenance self-check ends 9) Alarm cleared 10) Battery alarm 11) Battery low-voltage alarm	20	GND_DRY	5) BCB tripping 6) Transfer to inverter disabled 7) Battery maintenance self-check starts 8) Battery maintenance self-check ends 9) Alarm cleared 10) Battery alarm 11) Battery low-voltage alarm
21	TMP_ENV_dry	Ambient temperature detection	22	Configurable input dry contact 3 J7-22/24	Battery fault status (24 V/10 mA rated); Pin 22/Pin 24 shorted for executing the command. 0) Undefined 1) Battery fault 2) External maintenance isolation switch closed (default) 3) ECO mode disabled 4) Charger to be shut down 5) BCB tripping
23	GND_DRY		24	GND_DRY	6) Transfer to inverter disabled 7) Battery maintenance self-check starts 8) Battery maintenance self-check ends 9) Alarm cleared 10) Battery alarm 11) Battery low-voltage alarm J7-22/24 shorted for executing the above status.

Table 4.7 Description of dry contact port J7 (continued)

Pin	Name	Meanings	Pin	Name	Meanings
25	Configurable output dry contact 1 (Normally Open) J7-25/27	Configurable output dry contact 1: 0) Undefined 1) System alarm 2) On battery 3) UPS power supply (default) 4) Mains input abnormal 5) On bypass	26	Configurable output dry contact 2 (Normally Open) J7-26/28	Configurable output dry contact 2: 0) Undefined 1) System alarm 2) On battery 3) UPS power supply (default) 4) Mains input abnormal 5) On bypass
27	Configurable output dry contact 1 (Common) J7-25/27	6) Battery low capacity 7) Remote EPO 8) UPS fault 9) On maintenance bypass 10) UPS is ready 11) Battery off J7-25/27 shorted to execute the above status	28	Configurable output dry contact 2 (Common) J7-26/28	6) Battery low capacity 7) Remote EPO 8) UPS fault 9) On maintenance bypass 10) UPS is ready 11) Battery off J7-26/28 shorted to execute the above status
29	Configurable output dry contact 3 (Normally Open) J7-29/31	Configurable output dry contact 3: 0) Undefined 1) System alarm 2) On battery 3) UPS power supply (default) 4) Mains input abnormal 5) On bypass	30	Configurable output dry contact 2 (Normally Open) J7-30/32	Configurable output dry contact 2: 0) Undefined 1) System alarm 2) On battery 3) UPS power supply (default) 4) Mains input abnormal 5) On bypass
31	Configurable output dry contact 3 (Common) J7-29/31	6) Battery low capacity 7) Remote EPO 8) UPS fault 9) On maintenance bypass 10) UPS is ready 11) Battery off J7-29/31 shorted to execute the above status	32	Configurable output dry contact 2 (Common) J7-30/32	6) Battery low capacity 7) Remote EPO 8) UPS fault 9) On maintenance bypass 10) UPS is ready Battery off J7-30/32 shorted to execute the above status.

NOTE: For programmable dry contact port should be configured via Paramset.

NOTE: In parallel system, the dry contacts of the external maintenance isolation circuit breaker shall be connected to the corresponding dry contacts of each rack.

4.2.4 Dry Contact Port J8

The dry contact port J8 is shown in **Figure 4.7** below and described in **Table 4.8** below. The dry contact can bear voltage up to 24 Vdc or 250 Vac, and the largest current flowing is 5 A.

Figure 4.7 Dry contact port J8

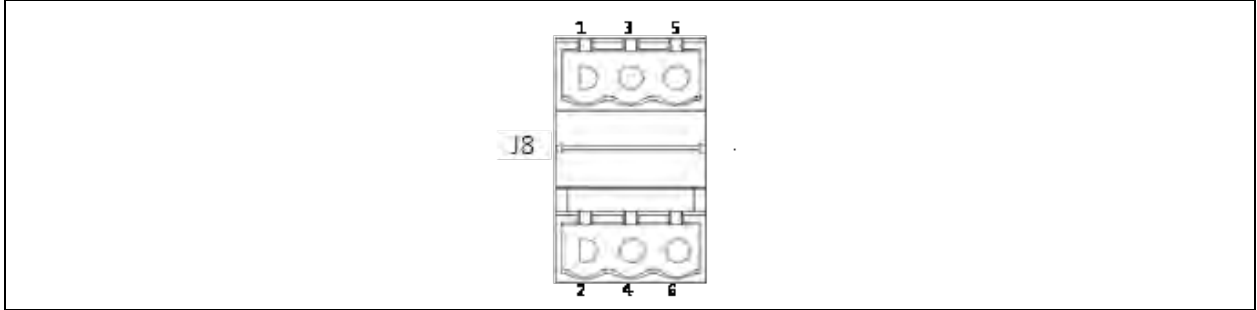


Table 4.8 Description of dry contact port J8

Port	Pin	Default signal
1. Bypass Backfeed	J8-1	Normally open. Closed when bypass has backfeed
	J8-3	Bypass backfeed protection relay common
	J8-5	Normally closed. Open when bypass has backfeed
2. Input Backfeed	J8-2	Normally open. Closed when rectifier has backfeed
	J8-4	Rectifier backfeed protection relay common
	J8-6	Normally closed. Open when rectifier has backfeed

4.2.5 REPO Port

The UPS has an EPO function that operates by an EPO button on the touch screen of the UPS or by a remote contact provided by the user. The EPO button has a protective cover.

J5 is the REPO port. The port is shown in **Figure 4.8** below and described in **Table 4.9** below.

Figure 4.8 REPO port J5

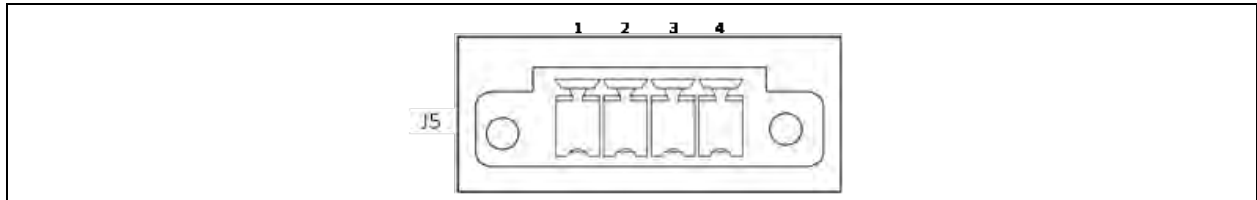


Table 4.9 Description of REPO port J5

Pin	Name	Meanings	Pin	Name	Meanings
1	EPO-NC	EPO activated when opened to Pin 2	3	+ 12 V	EPO activated when shorted to Pin 4
2	+ 12 V	EPO activated when opened to Pin 1	4	EPO-NO	EPO activated when shorted to Pin 3

EPO is triggered when pins 3 and 4 of J5 are shorted or pins 2 and 1 of J5 are opened.

If an external EPO facility is required, pins 1 and 2 or 3 and 4 of J5 are reserved for this function. The external EPO facility is also connected to the normally open or normally closed remote EPO switch between these two terminals using shielded cable. If this function is not required, pins 3 and 4 of J5 must be opened and pins 1 and 2 of J5 must be shorted.

NOTE: The UPS EPO action shuts down the rectifier, inverter, and static bypass, but it does not internally disconnect the mains input power. To disconnect all power to the UPS, open the external power switch, bypass input switch, output switch, and BCB after EPO is activated.

NOTE: Shielded twisted pair cables are used for REPO cables

4.2.6 Host Communication Port

This port monitors and sets parameters by connecting with computer.

The communication port provides serial data and is intended for use by authorized commissioning and service personnel in UPS commissioning and service. Refer to Options for details.

4.2.7 Parallel and LBS Communication Ports

See **Figure 4.4** on page 49 for their positions.

4.2.8 Intellislot Port

The Intellislot ports are used for installing optional cards on the site that include IS-UNITY-DP card, IS-Relay card, SIC card, and 485 card. **Table 4.10** below provides models and installation positions of the optional cards. For the detailed installation of the optional cards, refer to the corresponding contents in Options.

Table 4.10 Models and installation positions of optional cards

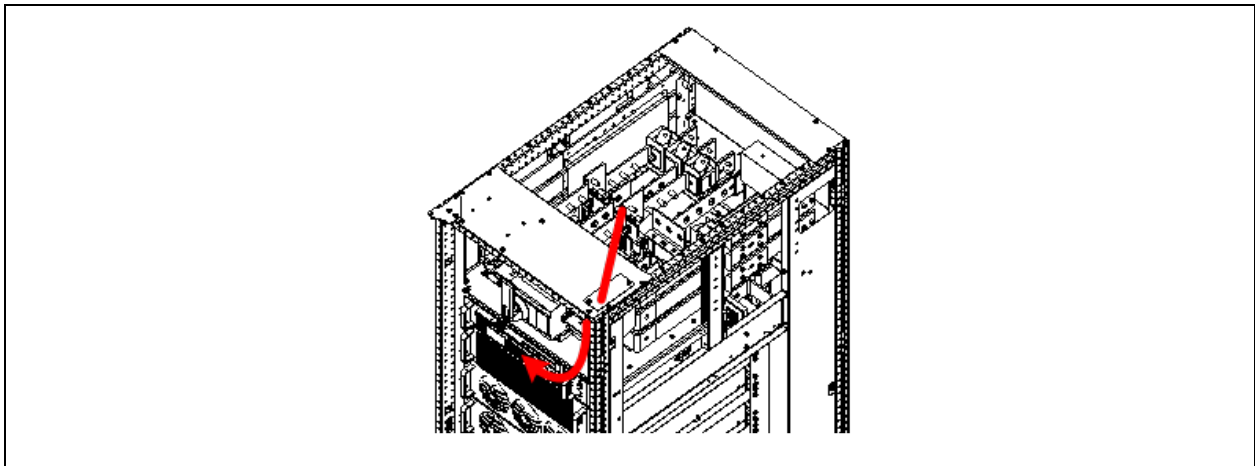
Optional card	Model	Installation position
IS-UNITY-DP card	IS-UNITY-DP	Intellislot ports 1 ~ 2
SIC card	UF-SNMP810	Intellislot ports 1 ~ 3 (port 1 or 2 recommended)
IS-Relay card	IS-RELAY	Intellislot port 1
485 card	UF-RS485	Intellislot port 1

4.2.9 Signal Cable Connection Steps

NOTE: Respectively route the power cables and signal cables. The shielding coat of signal cable must be reliably earthed.

Two connection modes are available: Top cable access and bottom cable access. Refer to **Figure 4.9** below and **Figure 4.10** on the facing page for the cabling route and then connect signal cables to corresponding ports shown in **Figure 4.4** on page 49.

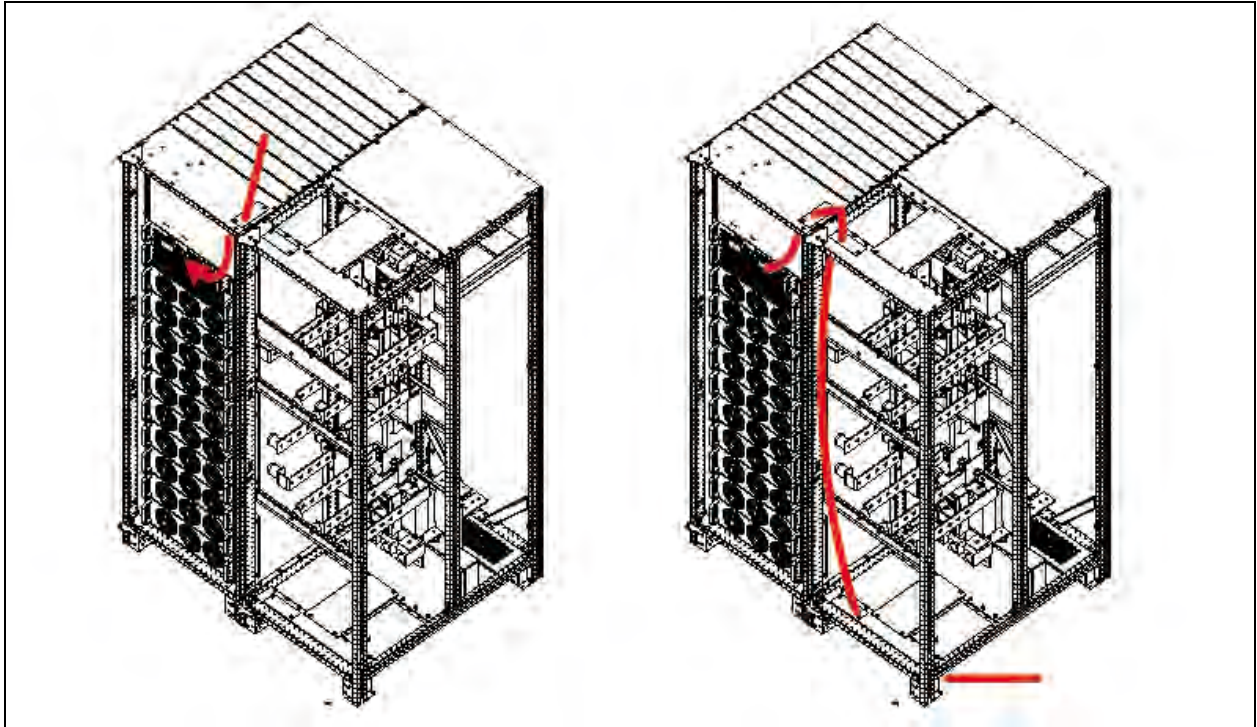
Figure 4.9 Signal cables wiring route of 500 kVA (Without switch, single switch)



Step 1: Lead cables into the cabinet through the holes.

Step 2: Then connect them to corresponding terminals.

Figure 4.10 Signal cables wiring route of 500 kVA (Four switches)



Step 1: Lead cables into the cabinet through the holes.

Step 2: Then connect them to corresponding terminals.

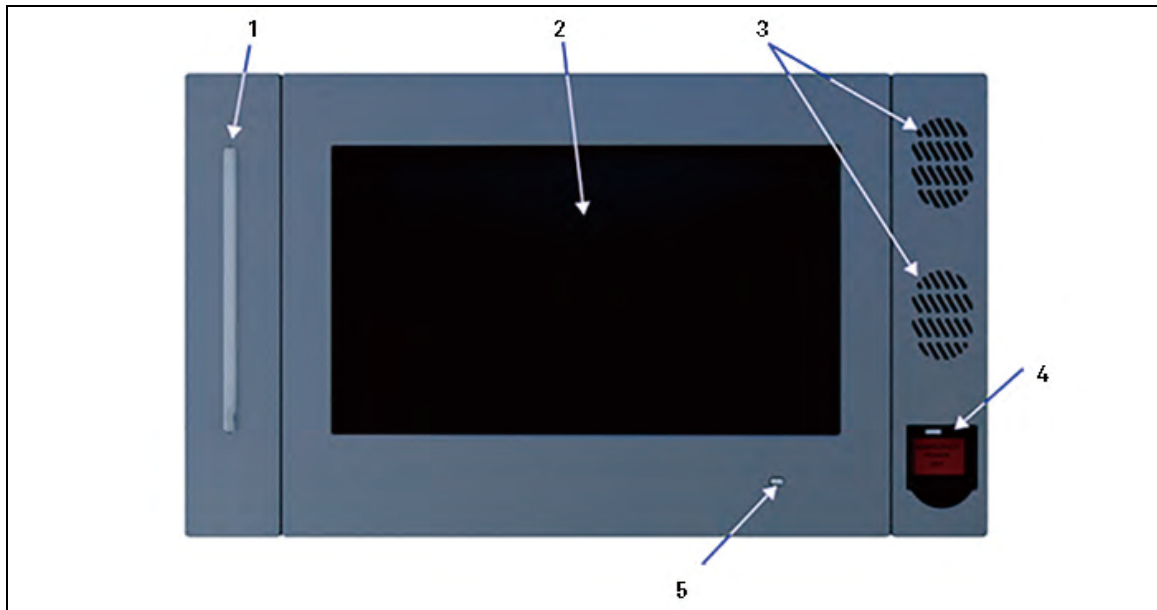
This page intentionally left blank

5 Operator Control and Display Panel

5.1 Introduction

The Liebert® APM Plus Touchscreen Control Panel's integrated interface simplifies monitoring and managing single or multiple Liebert UPS modules. The control collects a profusion of information about the health of the modules and presents it in a standardized format. This simple, dynamic display speeds operator response to changing power input and demand. Many of the settings will depend on the UPS type and features. Many other settings will be made during the UPS setup by Vertiv Tech service personnel. The Liebert APM Plus Touchscreen Control Panel's interface will display data either graphically or in text. The Status Scroll Bar at the top of the touchscreen display summarizes system conditions. The bar changes color to indicate status and includes an icon matched to the status. The Status Gauge displays such details as power demand from the connected load, input power quality, output, and bypass on each phase and battery capacity. The Liebert APM Plus Touchscreen Control Panel's mimic display shows the comprehensive system information that the operator needs: Is input power connected? Are there any alarms? Which breakers are open and which are closed? Is the UPS on battery? How much run time is available? Checking a particular component is as simple as touching it on the mimic display—Detailed data appears, allowing the operator to respond. Visual and audible alarms alert personnel to faults and alarms requiring immediate attention. Passcodes for each level of access—Operator, Administrator and Service—secure the UPS against unauthorized changes. Personnel without a passcode can view UPS status, but cannot change any functions or the appearance of the interface.

Figure 5.1 Liebert APM Plus Touchscreen Control Panel components



No.	Description
1	UPS Status LED
2	Touchscreen LCD
3	Speakers (not used)
4	EPO Switch

No.	Description
5	UPS Status LED

5.2 Navigating through the Liebert APM Plus Touchscreen Control Panel

The Liebert® APM Plus Touchscreen Control Panel is active whenever the UPS has input power. The TOUCHSCREEN on the front of the UPS permits:

- Logging in to the system-- Log In to the Liebert APM Plus Touchscreen Control Panel
- Customizing the user interface--Customizing the Display
- Checking the status of the UPS and its external batteries, including all measured parameters, events and alarms--Viewing UPS Status and Viewing UPS Component Status
- Silencing alarms--Silence an Alarm
- Turning the UPS On--Inverter On
- Turning the UPS Off--Inverter Off
- Resetting faults--Reset Fault
- Enabling Energy Saving Mode--Energy Saving Mode Activation

The Liebert APM Plus Touchscreen Control Panel's display default view in two panels: One-line animated mimic and UNIT STATUS. The appearance can be changed to multiple panels that show other data. Customizing the appearance is detailed in Customizing the Display.

5.2.1 Access Level Log-In

The Liebert APM Plus Touchscreen Control Panel provides security by limiting the authority to change how the UPS operates. Each of the four access levels offers different authority:

- Observer--Viewing permission only; can choose graphic or text display; no PIN required
- Operator--Permission to start the UPS, shut the system down, reset faults and enable or disable Eco Mode operation; PIN required
- Administrator--All functions of Operator and the permission to change PINs for Operator and Administrator level; PIN required
- Service--All functions of Administrator and the permission to alter system configuration, choose serial communication protocol, enable equalize battery charging and change Service PIN; PIN required.

Vertiv Tech Liebert Services sets PINs when setting up the UPS. These default PINs may be changed by those with Administrator or Service access (see above).

Default PINs are:

- Operator: 1234
- Administrator: 2345

NOTE: Risk of unauthorized changes to operational settings can cause equipment damage. The default PIN numbers should be changed immediately to prevent unauthorized personnel from changing UPS operation or even shutting down the UPS. The PINs for Operator and Administrator may be changed by logging in with either Administrator or Service level access.

5.2.2 Liebert APM Plus Touchscreen Control Panel Components

The main areas of the Liebert® APM Plus Touchscreen Control Panel are shown in **Figure 5.2** below. The display arrangement and the information displayed can be changed. At log-in for all access levels, the Liebert APM Plus Touchscreen Control Panel opens to the STATUS screen in graphic display. The STATUS screen will show the animated mimic and system status readings at each log-in level. The appearance will differ only in the function menus displayed (see **Figure 5.3** below).

Figure 5.2 Interface overview—STATUS screen; graphic display

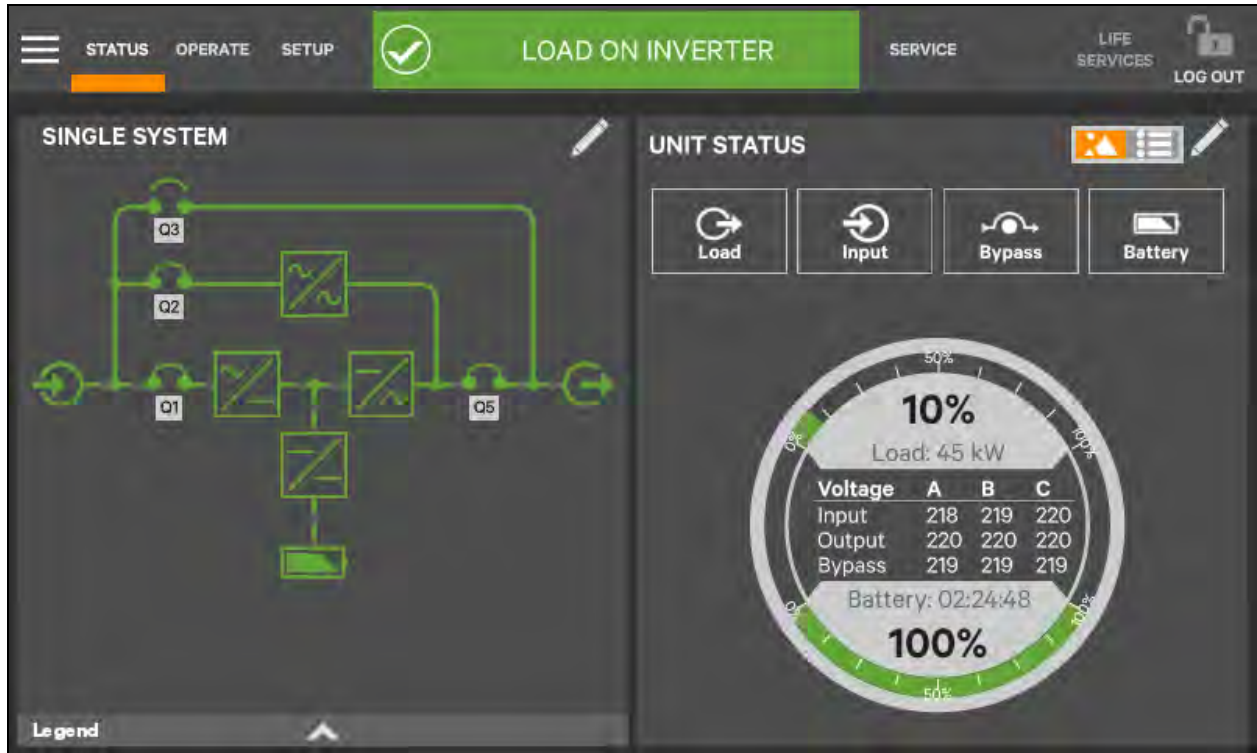
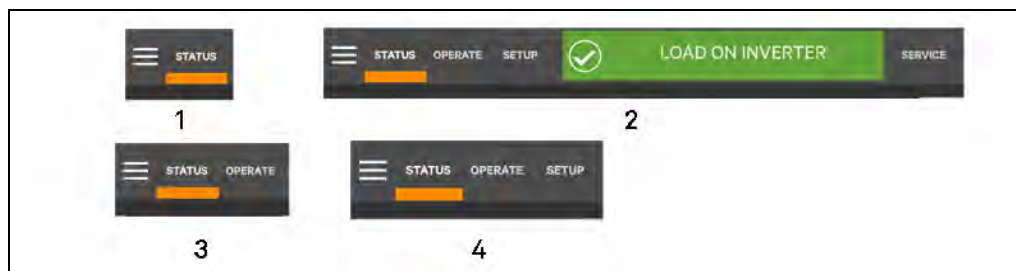


Figure 5.3 Control display by access level



No.	Description
1	Observe level (or no log-in)
2	Service level
3	Operator level
4	Administrator level

Information and control are different under each Function Menu. The Function Menus displayed are specific to the access level.

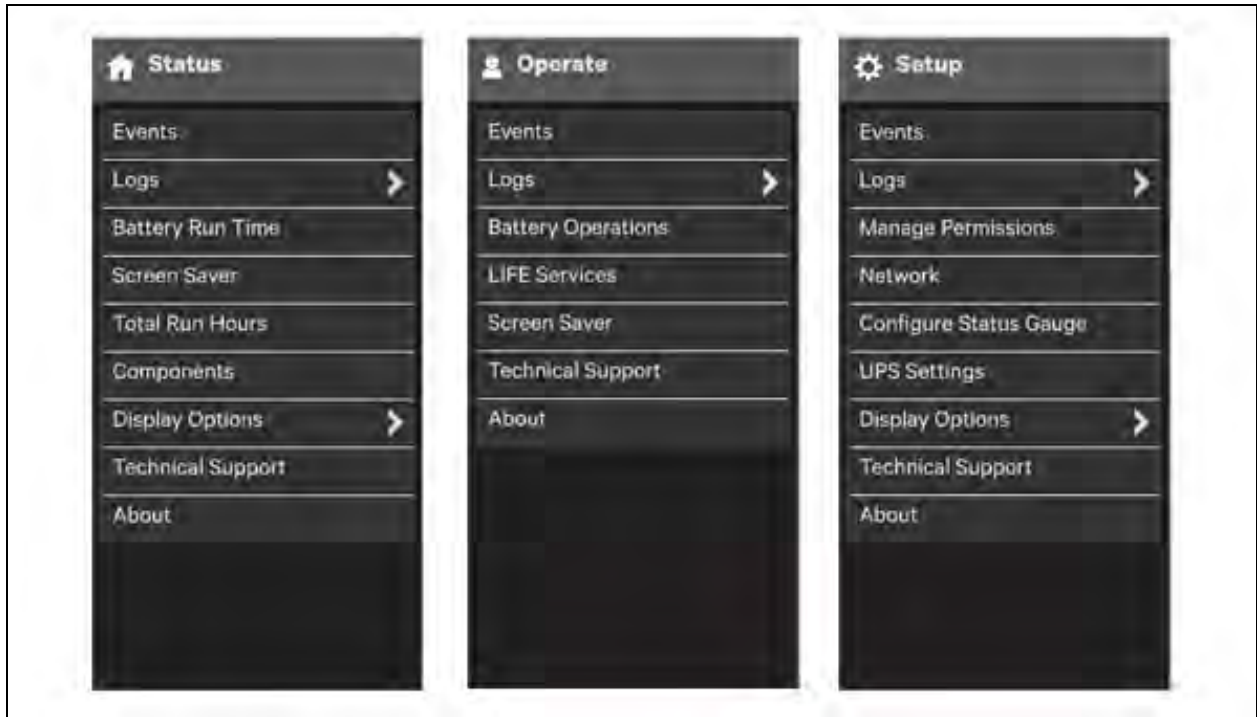
- STATUS: Condition of the UPS components and data affecting operation and performance; visible to all access levels.
- OPERATE: UPS operation controls, such as inverter on, inverter off, energy saving status; visible to Operator, Administrator, and Service.
- SETUP: Manage permissions through PINs; visible to Administrator and Service.
- SERVICE: Input wiring and breaker configuration, protocol used and battery charging method; visible to Service.

Context Menu

The Context Menu, available by touching the icon at the top left corner of the interface, displays information about the UPS and permits changing various settings. The functions possible through the Context Menu are determined by the user's access level and on the Function Menu that is active (see **Figure 5.4** below).

The menus under Display Options on STATUS, for example, differ for each access level. Some information available through the Context Menu, such as alarms and run hours, are available through other areas of the Liebert® APM Plus Touchscreen Control Panel.

Figure 5.4 Context Menus



Touching a menu item will reveal data or expand the menu to show additional options.

- Alarms: Date and time of occurrence, type of alarm, Event ID, component affected and description; see also [Using the Edit Icon to Customize Layout](#) on page 71; same options for all access levels except Observers cannot acknowledge alarms.
- Logs: UPS Event Log with date and time of occurrence, type of event, Event ID, status, component affected, and description; see also [Using the Edit Icon to Customize Layout](#) on page 71; same options for all access levels.

- Battery Run Time: Battery Cycle Monitor with duration and count; same options for all access levels.
- Screen Saver: Display Sleep Mode notification (immediate entry into screen saver); screen goes dark and user is logged off; interface reactivated by touching the screen; same options for all access levels.
- Total Run Hours: Component and hours it has operated; touching a component displays details in the right panel; see also [Using the Edit Icon to Customize Layout](#) on page 71 .
- Components: Component status, name, and details.
- Display Options (Changes affect view for all access levels).
- Customize Layout: Change panel content and layout (see Customizing the Display); not available to Observer.
- Display Properties: Language, backlight timer, alarm timeout, auto-log-out timer, display brightness, status indicator brightness, and touchscreen calibration (see Customizing the Display); language and display brightness only are available to Observer.
- Date & Time: Drop-down lists for time zone, date, local time, and UTC time (Coordinated Universal Time) (see Customizing the Display); not available to Observer.
- Formats: Drop-down lists for date and time format and measurement system (metric or imperial) (see Customizing the Display).
- Technical Support: Web site, e-mail address, and telephone numbers.
- About: Information about the UPS and its software and firmware; UPS model, rating, configured capacity, model number, and serial number.

Mimic Display Components

The animated mimic display shows each configured major component of the UPS system, for both single-module and multi-module systems. The mimic display is the same for all access levels. The power path is shown by animated lines; moving dashes show the active power path. Breakers are shown as open or closed (see **Figure 5.5** on the next page), but are not interactive. Components in the mimic display signify their operational status by their color, green, amber, or red. **Table 5.1** on page 96 through **Table 5.3** on page 98 describe the various states of the indicators. Touching a component brings up details about its status.

Figure 5.5 Mimic display, normal operation



UNIT STATUS Panel Components

The UNIT STATUS panel is identical for all PIN access levels (see **Figure 5.6** on the facing page). Observers will not have the pencil edit icon. In the default graphic view, the UNIT STATUS panel shows:

- Status Gauge-Connected load shown in kW and as a percentage of capacity; input, output, and bypass voltage for each phase (default data may be changed; see Viewing UPS Data with the Status Gauge).
- Input Detail Icon
- Battery Detail Icon
- Bypass Detail Icon
- Load Detail Icon
- Environmental Detail Icon

Touching any of the detail icons reveals additional data about that selection in the opposite panel. The data panel can be closed by clicking the Close radio button or by clicking the same or another detail icon. The read-only information is available to all access levels (see **Figure 5.7** on the facing page).

NOTE: If the Status Gauge is showing, no more than four detail icons will be visible at a time. Removing the Status Gauge permits showing of all five detail icons. The view may be customized to show less than four.

Figure 5.6 UNIT STATUS panel components; graphic display

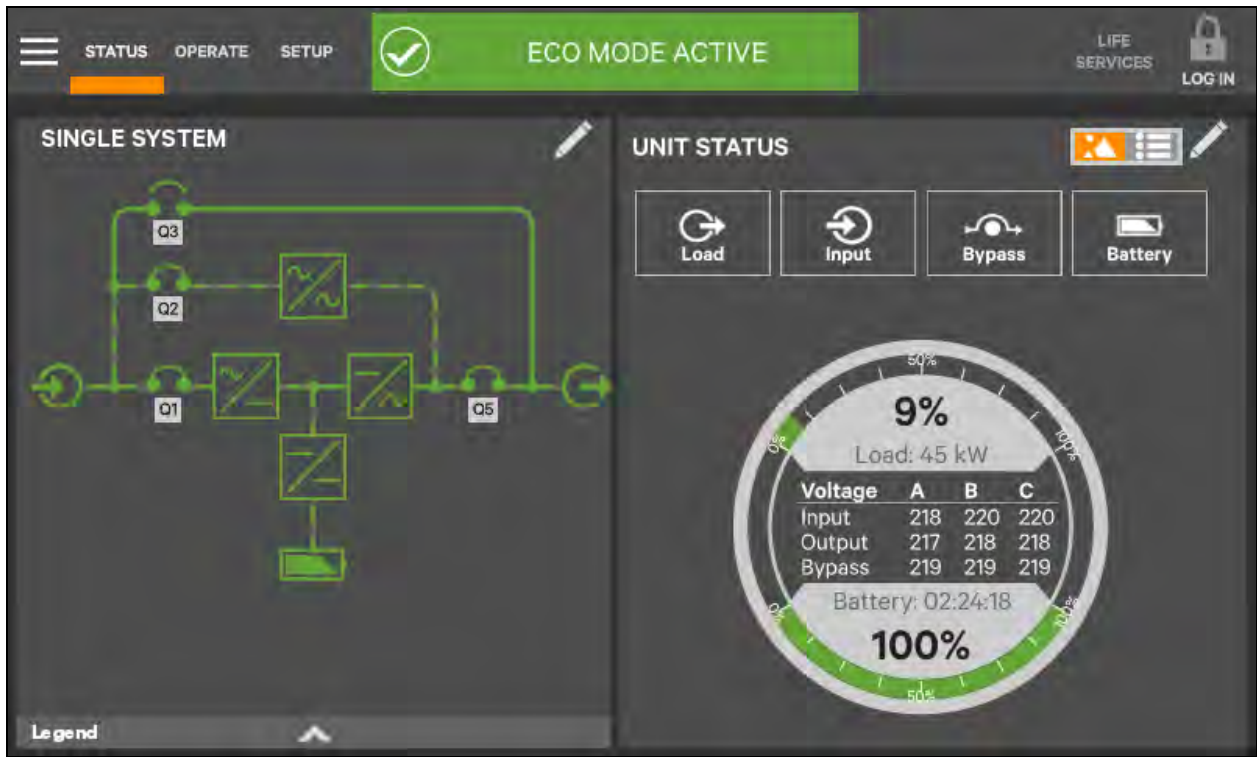


Figure 5.7 UNIT STATUS panel—Input details; graphic display



Figure 5.8 UNIT STATUS panel—Bypass details; graphic display



Figure 5.9 UNIT STATUS panel—Battery and cabinet details; graphic display




5.3 Operation

5.3.1 Log In to the Liebert APM Plus Touchscreen Control Panel

The Liebert® APM Plus Touchscreen Control Panel is On whenever the UPS has control power. It may be inactive and appear dark, depending on its settings. If it is inactive, touch the TOUCHSCREEN to wake it up.

To log in to the Liebert APM Plus Touchscreen Control Panel:

1. Touch the LOG IN icon  at the top right of the screen. The lock and background will change color and open the PIN REQUIRED screen, which has a keypad.
2. Enter the PIN REQUIRED as shown below.
3. Touch Enter.

NOTE: Entering an incorrect PIN will generate a screen saying the number is invalid.

Figure 5.10 Log in screen



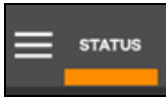
5.3.2 Customizing the Display

The Liebert® APM Plus Touchscreen Control Panel's default appearance will be adequate for most installations, but the Status panels can be altered to show additional or different data. Layouts may be chosen by any user with a PIN: Operator, Administrator, or Service; the layout chosen will be applied to all users. Layouts may be created or altered only with Administrator or Service Access.

NOTE: The original configuration, Default View 1, cannot be deleted. Editing through the menus will create a new view with the new settings. The Default View 1 can be altered with the pencil edit icon in the display (see [Using the Edit Icon to Customize Layout on page 71](#)).

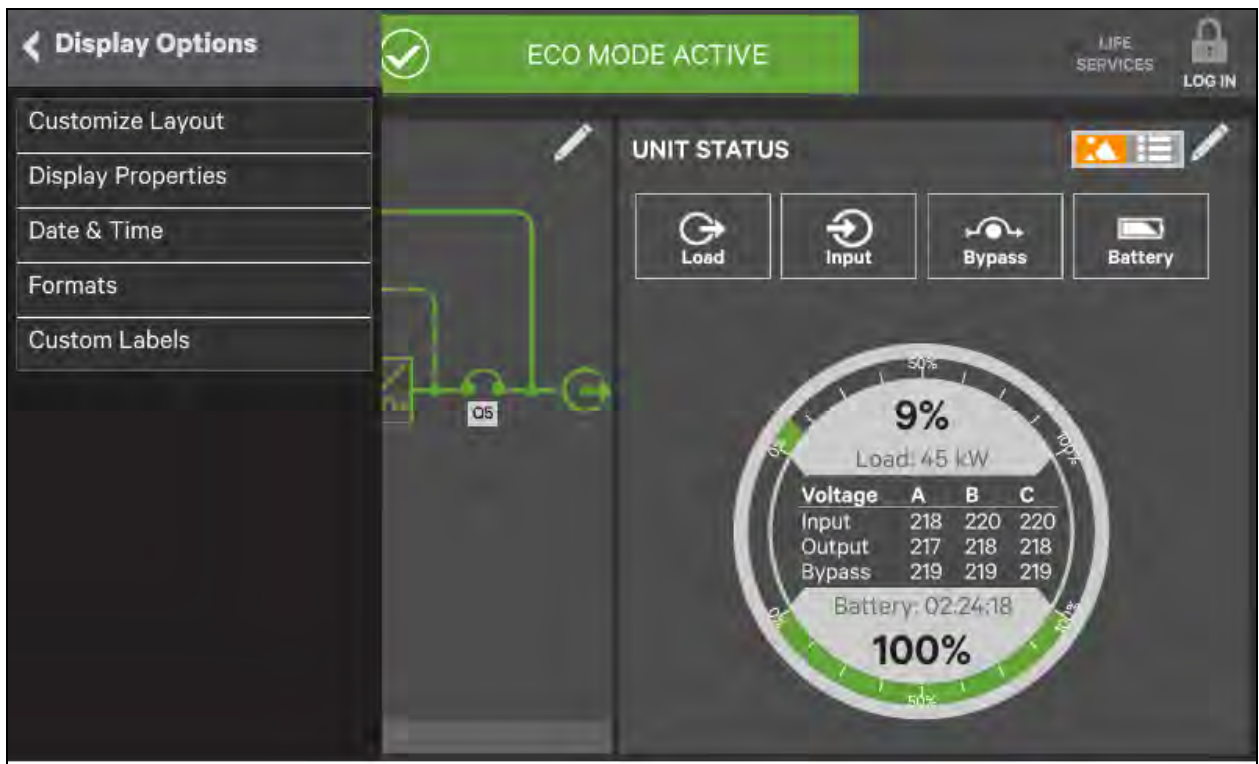
To customize the display's appearance:

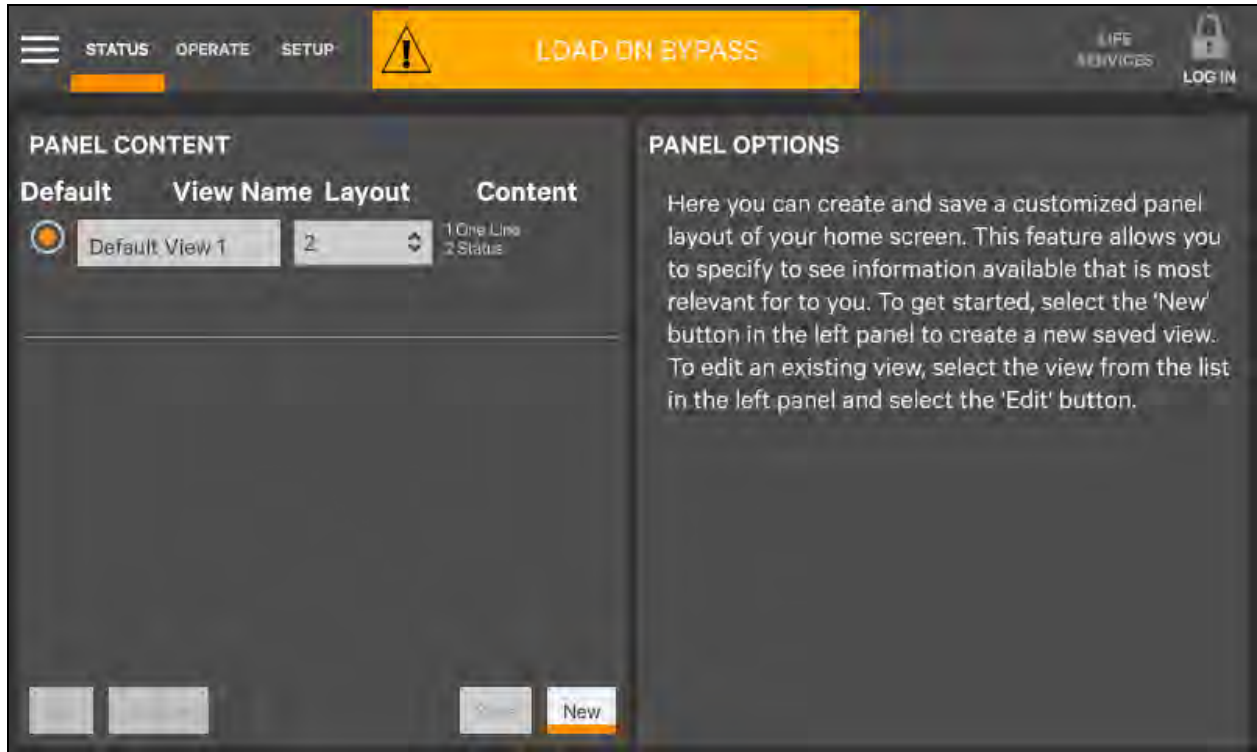
1. Log in to the Liebert® APM Plus Touchscreen Control Panel as Administrator or Service detailed in Log In to the Liebert APM Plus Touchscreen Control Panel.
2. From the STATUS view, touch the Context Menu icon in the top left corner (shown at right).



3. Select Display Options -> Customize Layout. (The right panel details how to edit or create a view; see [Figure 5.11](#) below.)
4. Edit a View: Touch a view to highlight it or touch Edit to change that view.
5. Create a View: Touch the New button to create a view.

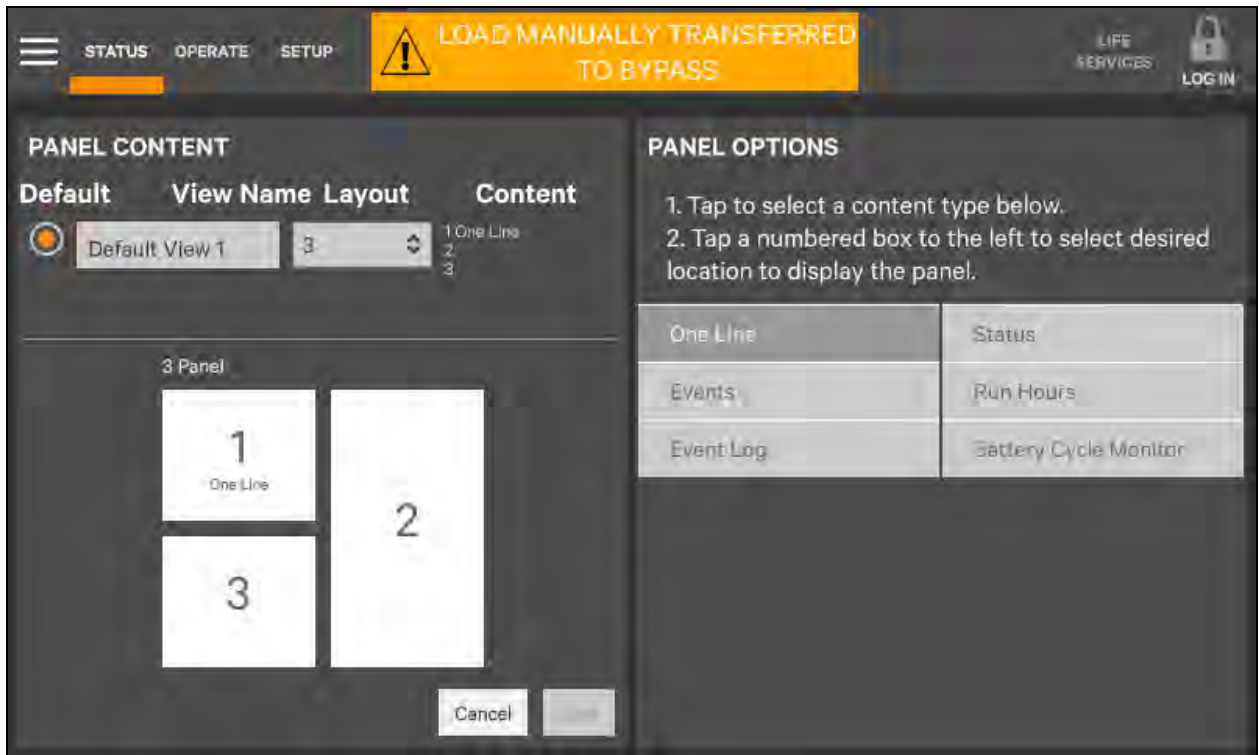
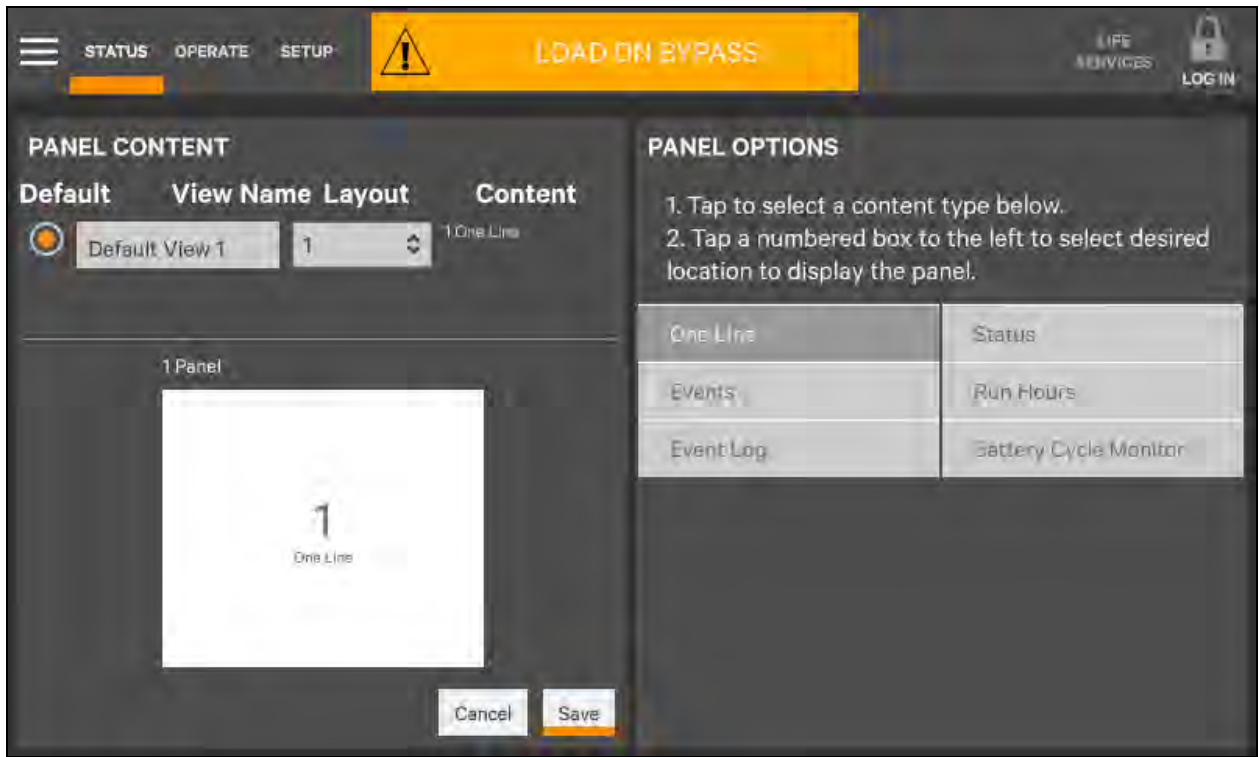
Figure 5.11 Customize the display





6. Either accept the generated name (New View) or touch the view's name to rename it using the on-screen keyboard (maximum length is 14 characters). Touch the Enter key Enter on the on-screen keyboard after entering the new name.
7. From the drop-down list under the Layout heading, select the number of panels in the new or edited view (the maximum is four).
8. Choose the data to be displayed in each panel by touching a choice in the PANEL OPTIONS and then touch the appropriate panel. Repeat for each panel.
9. Touch the Save button to keep the changes or touch the Cancel button to exit the screen without saving.

Figure 5.12 Set number of panels and choose data



10. Touch the Save button.

11. When the window returns to two screens—PANEL CONTENT and PANEL OPTIONS—touch the radio button beside the new view to activate it (this puts a dot inside the circle).
12. Touch Save.
13. Touch the STATUS menu icon to see the new appearance.

To choose an existing layout, navigate to the PANEL CONTENT screen and touch the radio button beside the layout, then touch the STATUS menu icon.

Remove a Layout


To delete a layout:

Log in with Administrator or Service access.

Using the Edit Icon to Customize Layout

The Liebert® APM Plus Touchscreen Control Panel layout can also be changed with the Edit icons on the screen for a user logged-in as Operator, Administrator, or Service. The Edit icon can be used to add or remove panels, resize panels, rearrange panels, and change monitored parameters.


To use the Edit icon:

1. Touch the Edit icon  on the panel to be edited and hold it until a Change content button appears on the panel (about 1 second).

Change Panel

2. Touch an icon to choose the data to be displayed in the panel (see **Figure 5.13** on the next page); choices are:
 - One-Line
 - Run Hours
 - Status
 - Event Log
 - Alarms Battery
 - Cycle Monitor Summary

Change UNIT STATUS Panel Content

3. To change the UNIT STATUS panel's data:
 - a. Touch the Edit icon on the UNIT STATUS panel and hold it until the Change Content button and X's appear beside the parameters.
 - b. Touch the X beside the parameter to be removed from the panel. The Add Parameter icon (+) will appear in the panel if another parameter can be added. The number of parameters possible is based on whether the Status Gauge is displaying.
 - c. Touching the add Parameter icon  brings up a window to add parameters not already shown on the UNIT STATUS panel.
 - d. Touch a parameter's icon to add it to the UNIT STATUS panel. Resize or remove a panel.
4. Touch and hold the Edit icon again while the Change content button is displayed.
5. Release the icon. Resize handles will appear around the panel and a large X will appear at the top right corner.
6. Pull on a handle to resize the panel, or

7. Touch the large X to delete the panel.

Rearrange Panels

8. With the resize/remove handles visible, touch the circle in the center of the panel and drag the panel to its new position.

Exit Edit Mode

9. Edit Mode will deactivate after some changes. If all changes have been made and Edit Mode is active, touch the panel's header area.

Figure 5.13 Change panel content or resize/remove a panel



Figure 5.14 Resize or remove a panel



Edit UNIT STATUS Panel with the Edit Icon

The UNIT STATUS panel can be changed to add or remove data. The panel has four default parameters. Any or all can be deleted or replaced with the Editing icon.

Possible parameters for the UNIT STATUS panel are:

- Input
- Bypass
- Battery
- Environmental
- Load

NOTE: Changes made to the UNIT STATUS panel will be applied to all views using the panel.

To edit the UNIT STATUS panel:


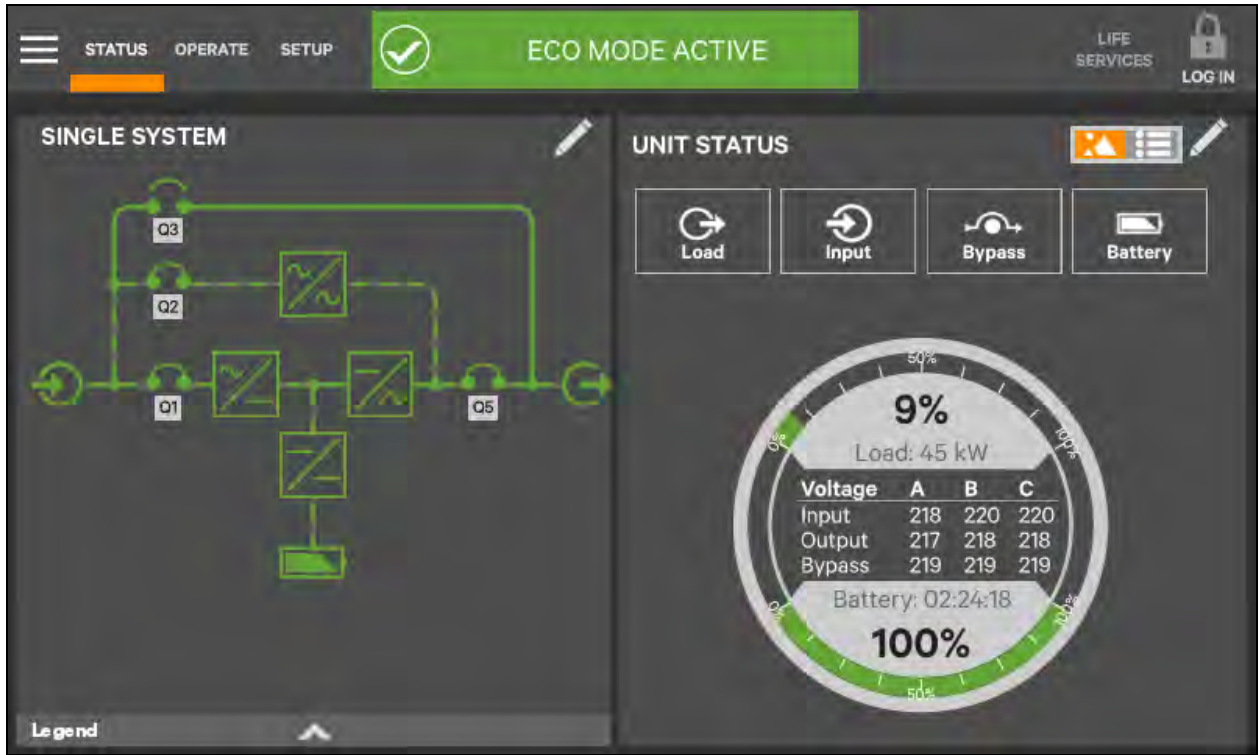
1. Activate the editing mode by touching and holding the Edit icon on the UNIT STATUS panel.
2. Touch the large X by a parameter icon to delete it or touch the + icon  at the bottom right of the panel to add a parameter icon.
3. Touch the header area to deactivate the edit mode.

Figure 5.15 Edit UNIT STATUS panel



5.3.3 Operator Controls

The Operator login confers control of UPS functions:

- Silence (Alarm)
- Inverter On
- Inverter Off
- Reset Fault
- Energy Saving Mode Activation
- Battery Operations

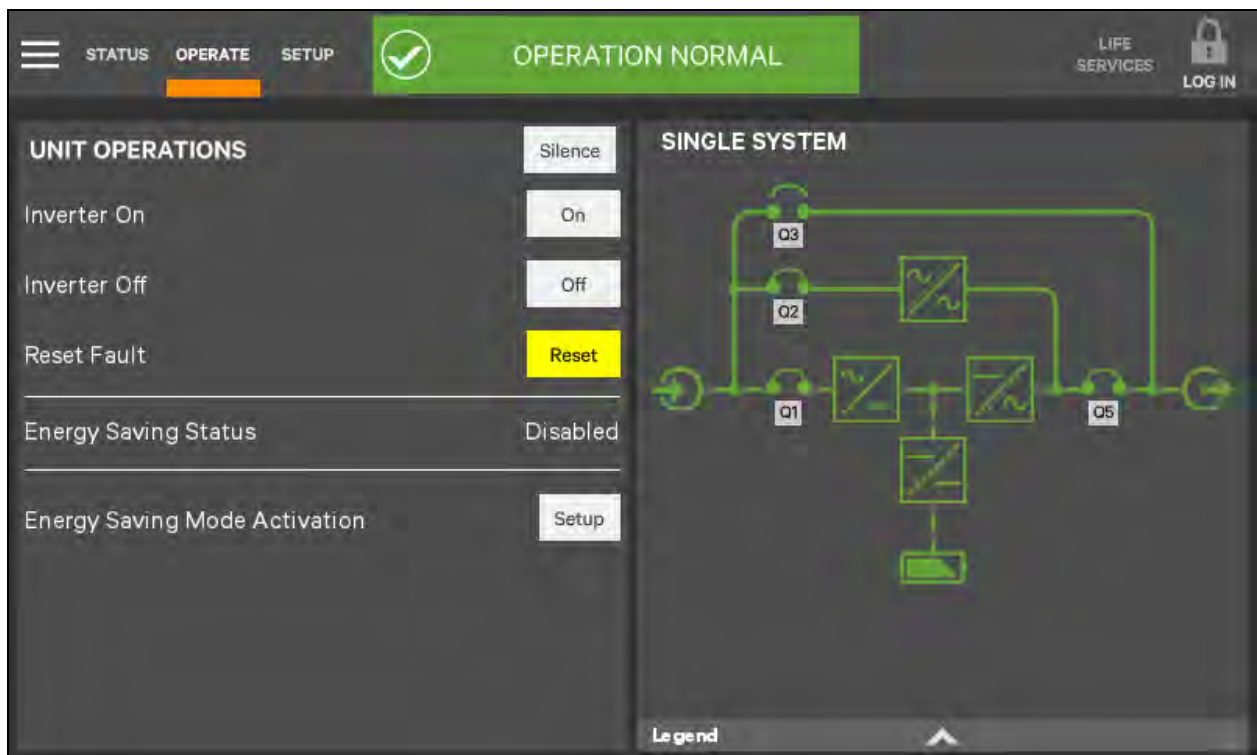
Each command is available under the OPERATE menu. The OPERATE menu may be used by logging in with Operator, Administrator, and Service access.

NOTE: Risk of improper operation can cause load drop resulting in equipment damage. The Inverter On, Inverter Off, Reset Fault, and Energy Saving Mode Activation commands will be available whenever the UPS is operating. Before executing any command, verify that the UPS status is suitable for the command to be performed.

Operate Menu Commands

All Operator commands are available from the OPERATE menu. The menu is available whenever the UPS has input power. The UPS need not be supplying power to the load for the menu to be available. The animated mimic is not linked to data in this view—touching a component will not cause it to display data.

Figure 5.16 OPERATE menu—Operator login



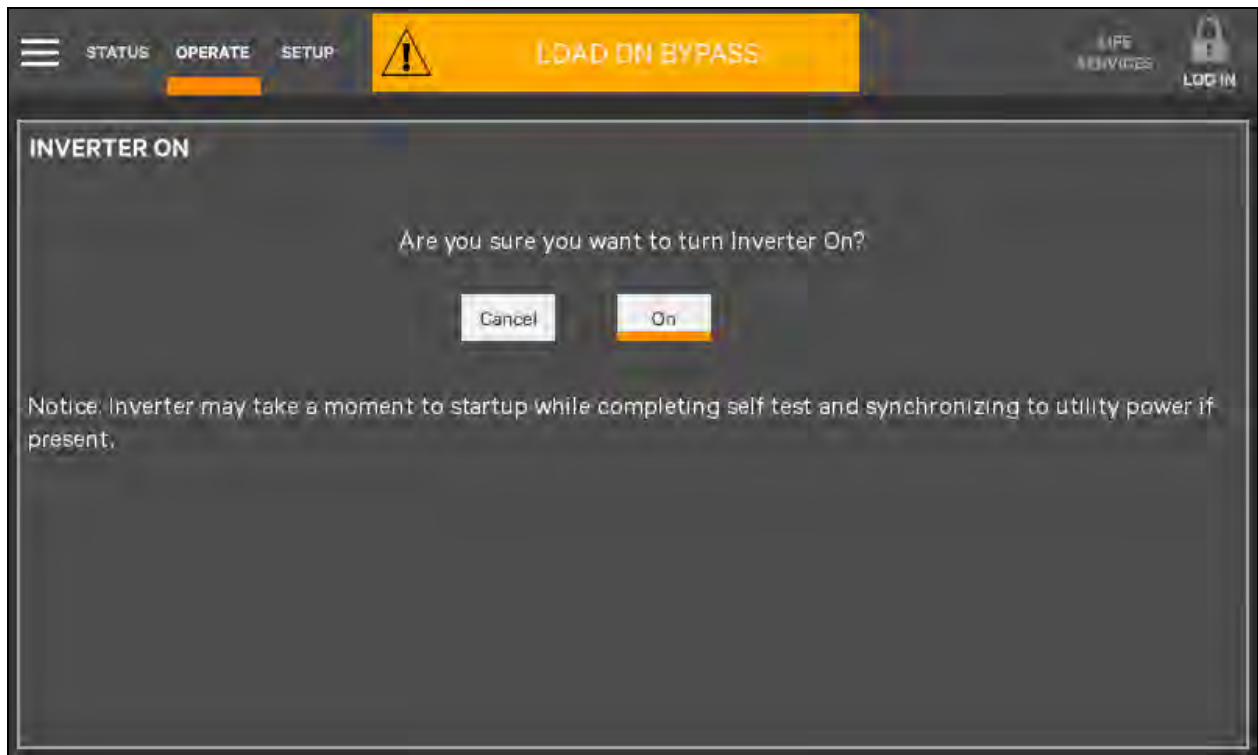
Silence an Alarm

To silence an alarm, touch the Silence radio button at the top of the panel. The time the alarm will remain silenced varies depending on the UPS type, type of alarm, and configuration.

Inverter On

The Inverter On menu item is available whenever the UPS has input power and the inverter is Off. Before executing the command, verify that the UPS is prepared for the inverter to start. Liebert® APM Plus Touchscreen Control Panel will display a message asking for confirmation and noting that it may take a moment to start (see **Figure 5.17** below). The control will display a progress window while the inverter starts.

Figure 5.17 Inverter On command

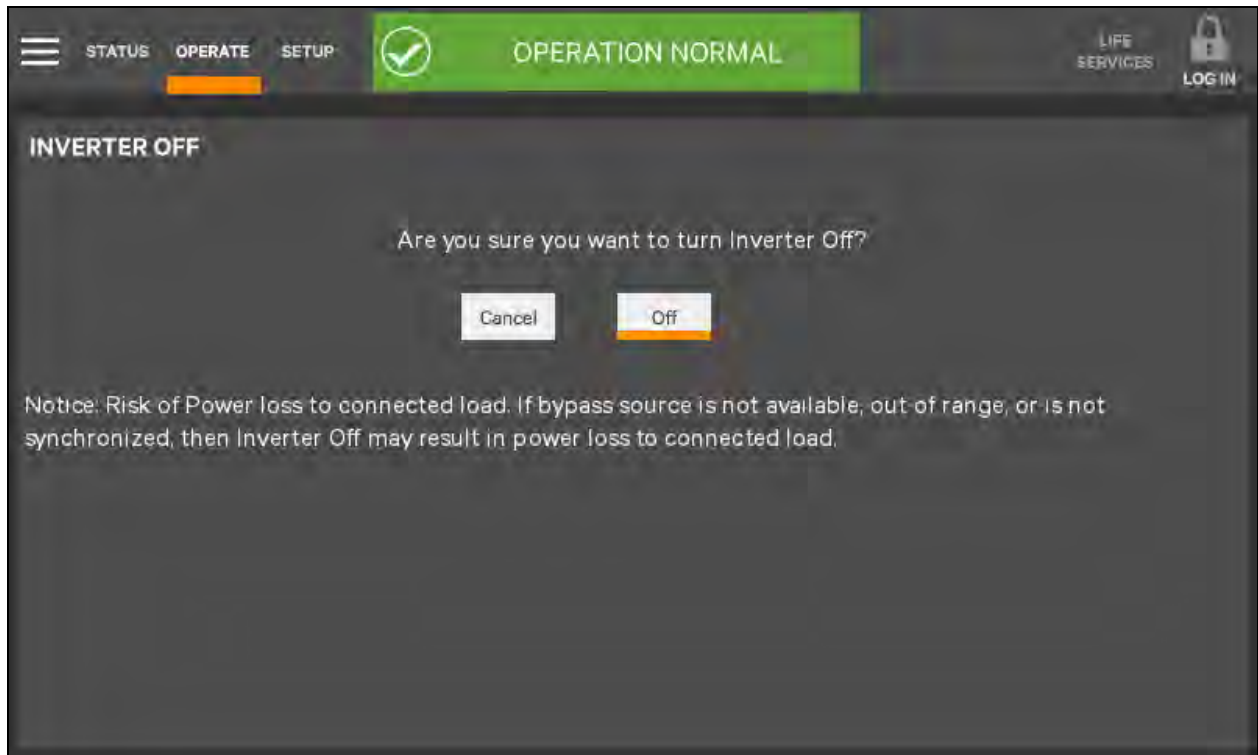


Inverter Off

The Inverter Off menu item is available whenever the UPS has input power and the inverter is Off. Before executing the command, verify that the UPS and connected load are prepared for the inverter to be shut down.

NOTE: Risk of improper operation can cause load drop resulting in equipment damage. The Inverter Off will shut off power to the connected load unless bypass power is available. Before executing this command, verify that the connected load is either shut off or that input power to the load will be supplied by another source, such as bypass.

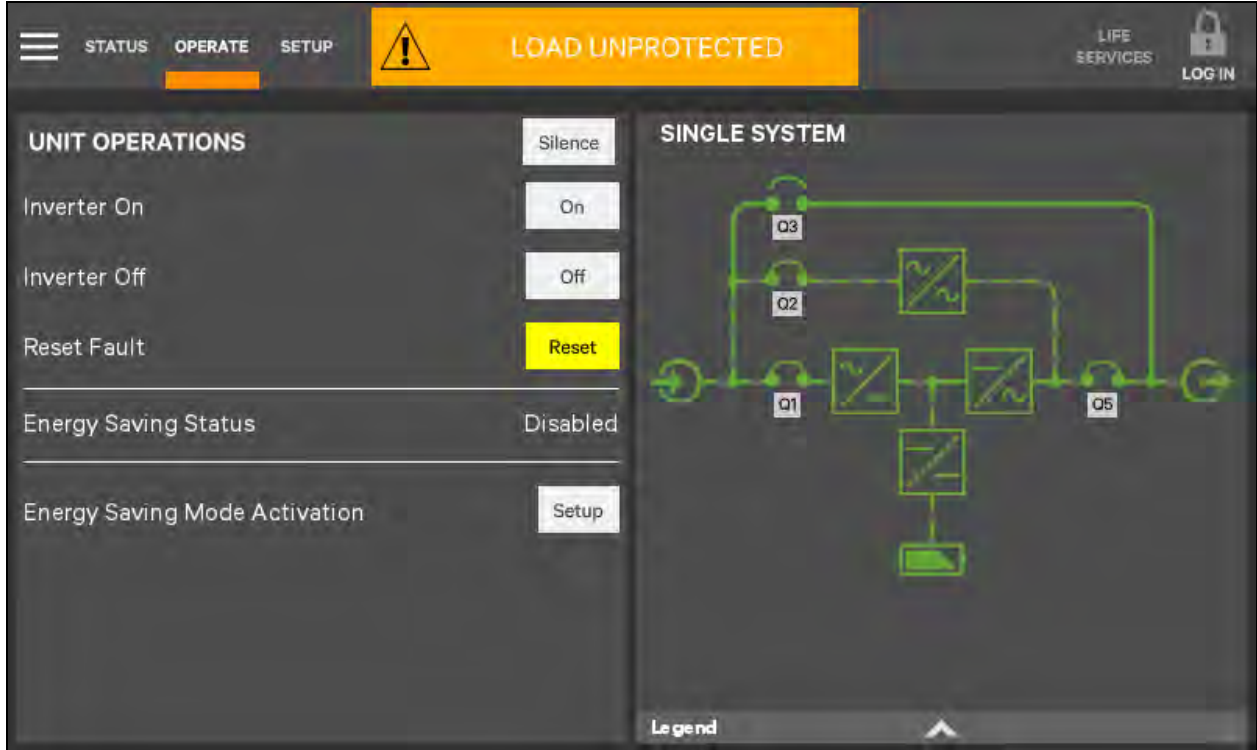
Figure 5.18 Inverter Off command



Reset Fault

Faults may be reset with the Reset radio button.

Figure 5.19 Reset fault command



Suspended Time Remaining

The Suspended Time Remaining box is not configurable. It is the time remaining when energy savings mode is suspended. It is active when energy saving mode is going active and inactive too many times and the system will suspend its activation for a period.

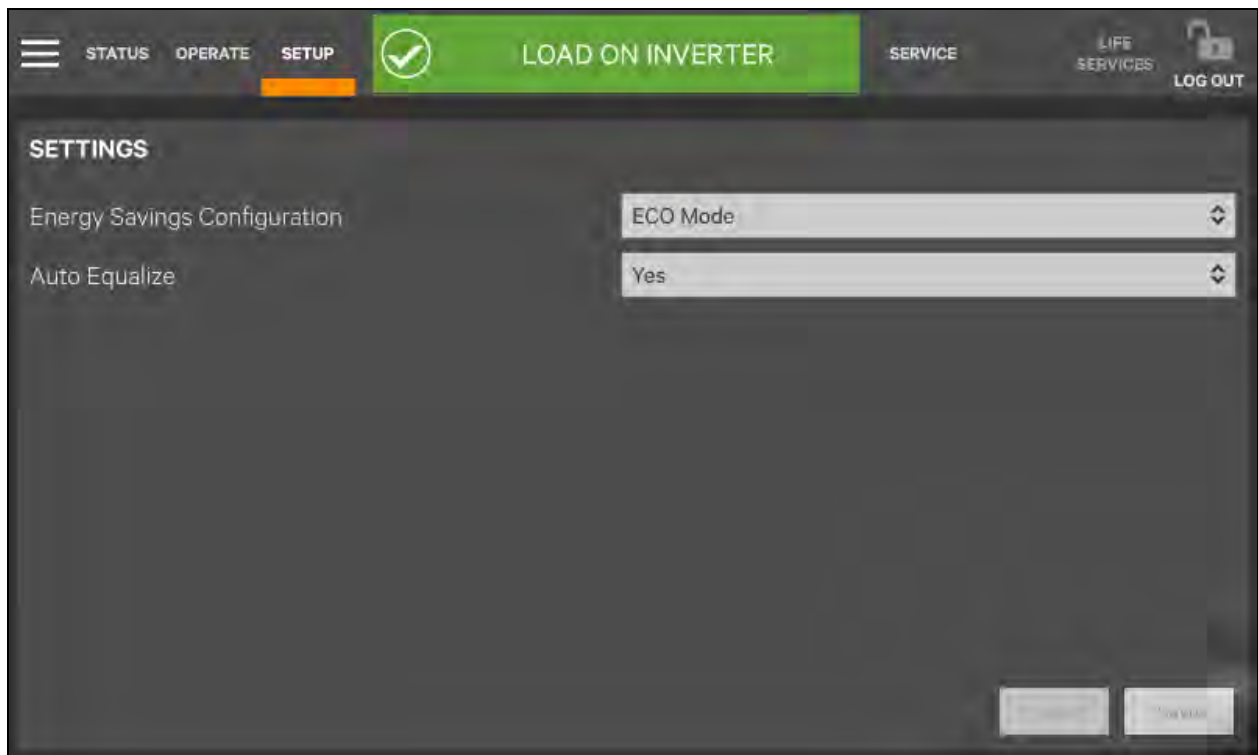
Module Redundancy Status

Module redundancy is usually chosen during system setup. Redundancy may be enabled only with Administrator or Service permissions. Proper operation requires the presence of at least a second module, but the system may encompass more modules.

To enable module redundancy:

1. Log in with Administrator or Service permissions.
2. Touch the SETUP tab.
3. Touch the Context Menu icon and select UPS Settings.
4. In the Module Redundancy drop-down menu, touch Enable.
5. Touch the Save button to save the new setting or touch Cancel to exit without saving

Figure 5.20 Enable module redundancy



Energy Saving Mode Activation

NOTE: Refer to the UPS manual before activating Energy Saving Mode. An Operator can only enable or disable Energy Saving Mode. The modes available vary according to the UPS type and system configuration. The types available must be set up by someone with either Administrator or Service access.

Energy Saving Mode may be activated or deactivated through the OPERATE menu screen. Two modes are available: Eco Mode and Intelligent Parallel Mode.

Eco Mode permits the UPS to reduce power consumption by powering the load through bypass power when utility-supplied power is within acceptable ranges. The inverter will remain in a state that will permit it to resume supplying power if the utility power goes outside acceptable ranges.

Intelligent paralleling puts units in a sleep mode until required.

To activate or deactivate Energy Saving Mode:

1. Touch the Setup radio button for Energy Saving Mode Activation.
2. Enable or disable Energy Saving Mode.
3. Touch the Save button. The Save button is inactive until the activation state is changed.

Figure 5.21 Activating Energy Saving Mode



5.4 Viewing UPS Status

The Liebert® APM Plus Touchscreen Control Panel interface reports UPS status in multiple ways. The graphic views and text views will show the same readings.

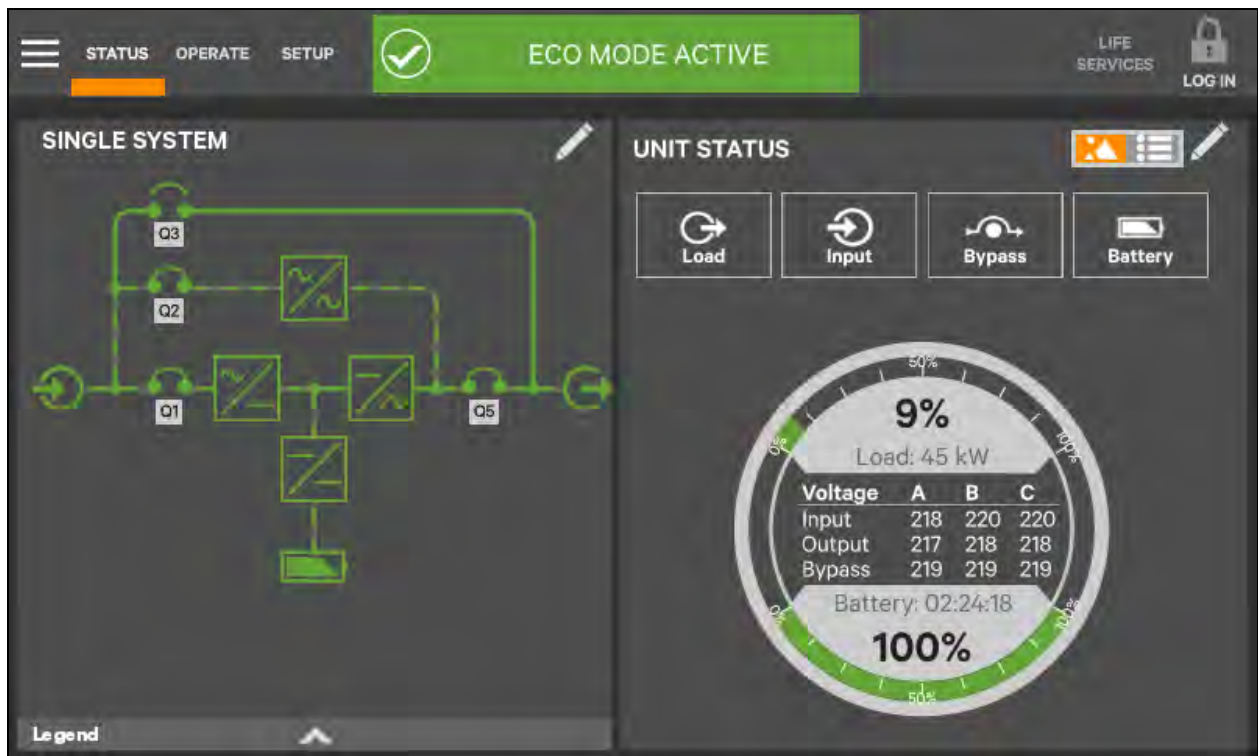
Alarms and certain events will trigger audible alarms and the LED on the bezel, the light bar and the status header will change color. (Audible alarms will not sound unless enabled.) The scrolling information bar at the top of the interface summarizes information about the UPS status. The Status Gauge on the UNIT STATUS panel gives additional details about the UPS status.

5.4.1 Viewing UPS Data with the Status Gauge

The Status Gauge offers a quick summary of the UPS's status. The information shown depends on the type of UPS and its configuration and upon the choices made in the gauge's setup. The data can be chosen by someone with Administrator or Service access.

The additional data will not replace the information shown in the center of the Status Gauge. Touching the center of the Status Gauge multiple times on will cycle through the data.

Figure 5.22 Default Status Gauge view



To change the values shown on the Status Gauge:

1. Log in with either Administrator or Service access.
2. Touch the SETUP menu icon.
3. Touch the Context menu icon.
4. Touch Configure Status Gauge. This opens the DIAL CONTROL SETUP panel, which holds settings for the readings in the center of the gauge and for the upper and lower metering.

To change the data shown in the center of the gauge:

- a. Expand the Center Readings menu by touching the arrow beside it.
- b. Put a check mark in the check box beside each value to be displayed (see **Figure 5.23** on the next page and **Figure 5.24** on the next page).

To change the data shown in the gauge's upper or lower section:

- a. Expand the Upper Meter or Lower Meter menu by touching the arrow beside it.
- b. Use the drop-down menu to choose whether the Upper Meter or Lower Meter shows data for the Battery or Load. (Either the upper or lower part of the Status Gauge may be used to show Load or Battery readings.)
- c. Use the sliders to change the Warning Threshold or Critical Threshold (see **Figure 5.23** on the next page and **Figure 5.24** on the next page).
5. Touch the Save button to keep the changes or touch Cancel to exit without saving the changes.

NOTE: The DIAL CONTROL SETUP pane may also be accessed by touching the Status Gauge and holding it for about 2 seconds. This requires Administrator or Service access.

Figure 5.23 Access Status Gauge settings

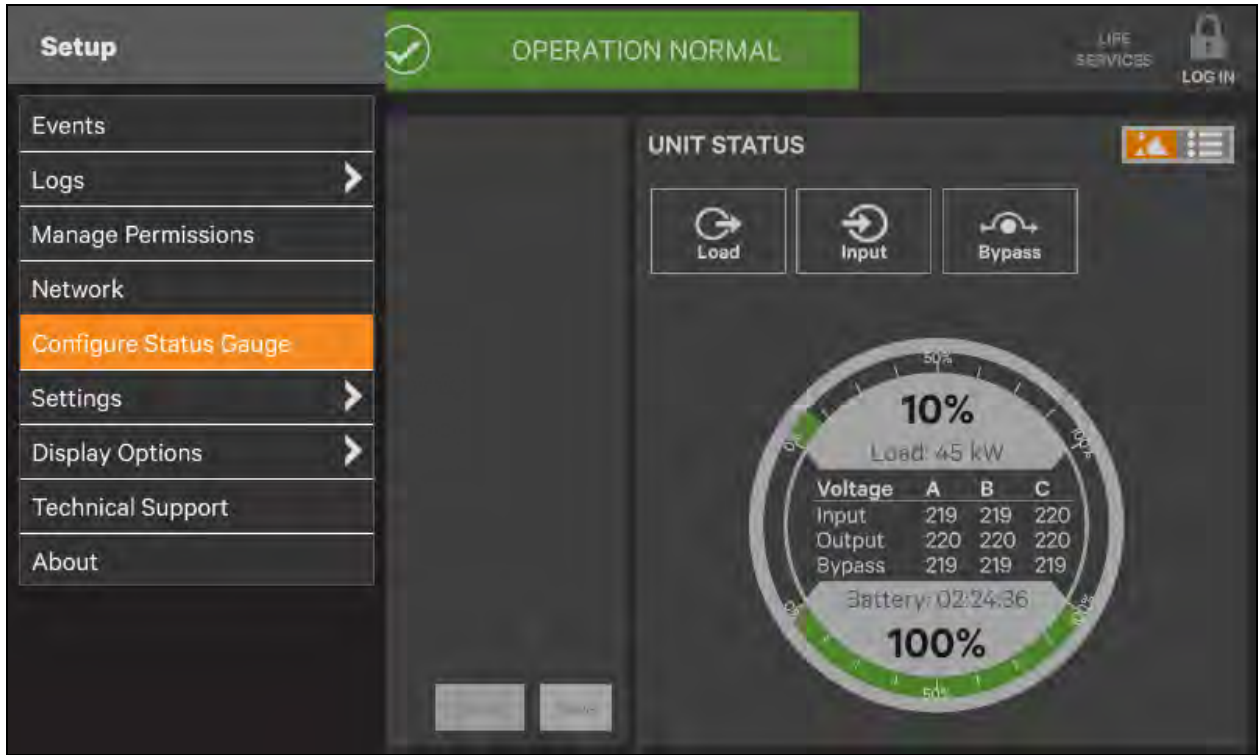


Figure 5.24 Status Gauge setting options



STATUS **OPERATE** **SETUP** ✓ **OPERATION NORMAL** LIFE SERVICES LOG IN

DIAL CONTROL SETUP

- Center Readings
- Upper Meter
 - LOAD
 - Warning Threshold: 66%
 - 10% MIN ————— 100% MAX
 - Critical Threshold: 80%
 - 10% MIN ————— 105% MAX
- Lower Meter

UNIT STATUS

Load Input Bypass

10%
Load: 45 kW

Voltage	A	B	C
Input	218	220	219
Output	220	220	220
Bypass	219	219	219

Battery: 02:24:48
100%

STATUS **OPERATE** **SETUP** ✓ **LOAD ON INVERTER** LIFE SERVICES LOG IN

DIAL CONTROL SETUP

- Center Readings
- Upper Meter
- Lower Meter
 - BATTERY
 - Warning Threshold: 33%
 - 10% MIN ————— 90% MAX
 - Critical Threshold: 15%
 - 0% MIN ————— 90% MAX

UNIT STATUS

Load Input Bypass

10%
Load: 45 kW

Voltage	A	B	C
Input	218	220	219
Output	220	220	220
Bypass	219	219	219

Battery: 02:25:18
100%

5.4.2 Viewing UPS Data with the Status Panel

More detailed information about the UPS’s status is readily available through the Status panel. Touching a component in the animated mimic display brings up data about the component on another panel. Clicking a parameter icon on the UNIT STATUS panel brings up further details about that parameter.

The same data can be viewed by switching to the text view. The length of the lists and order of the details may require scrolling to find the desired data.

NOTE: A parameter must be visible on the graphic view of the UNIT STATUS screen for details to be viewed, even in the text view.

Figure 5.25 Unit status—Input details



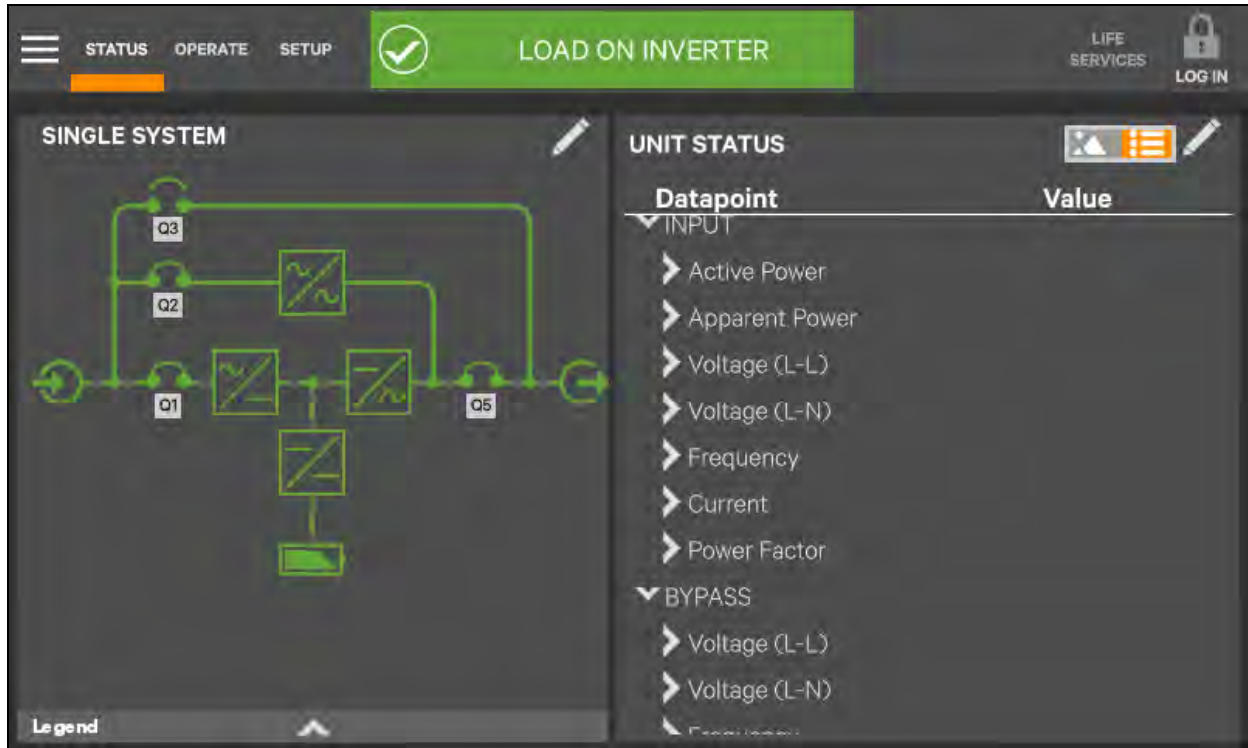


Figure 5.26 Unit status—Bypass details



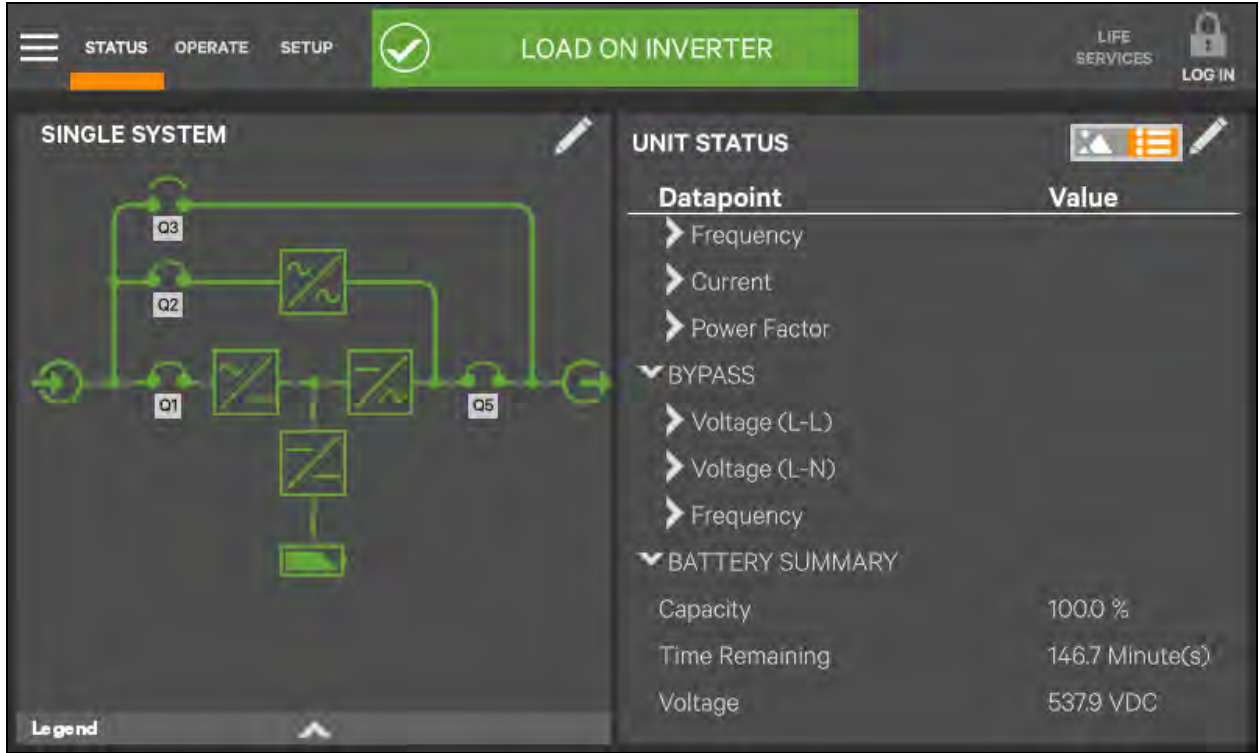


Figure 5.27 Unit status—Battery details



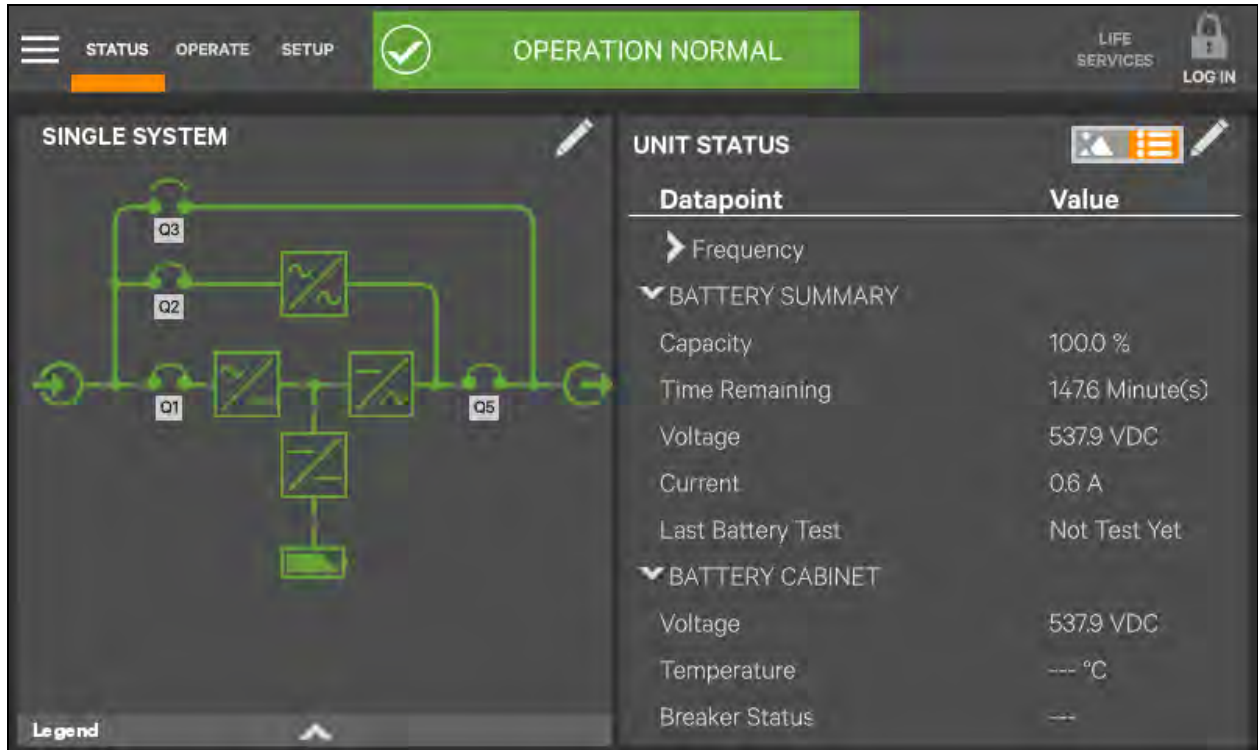


Figure 5.28 Unit status—Load details



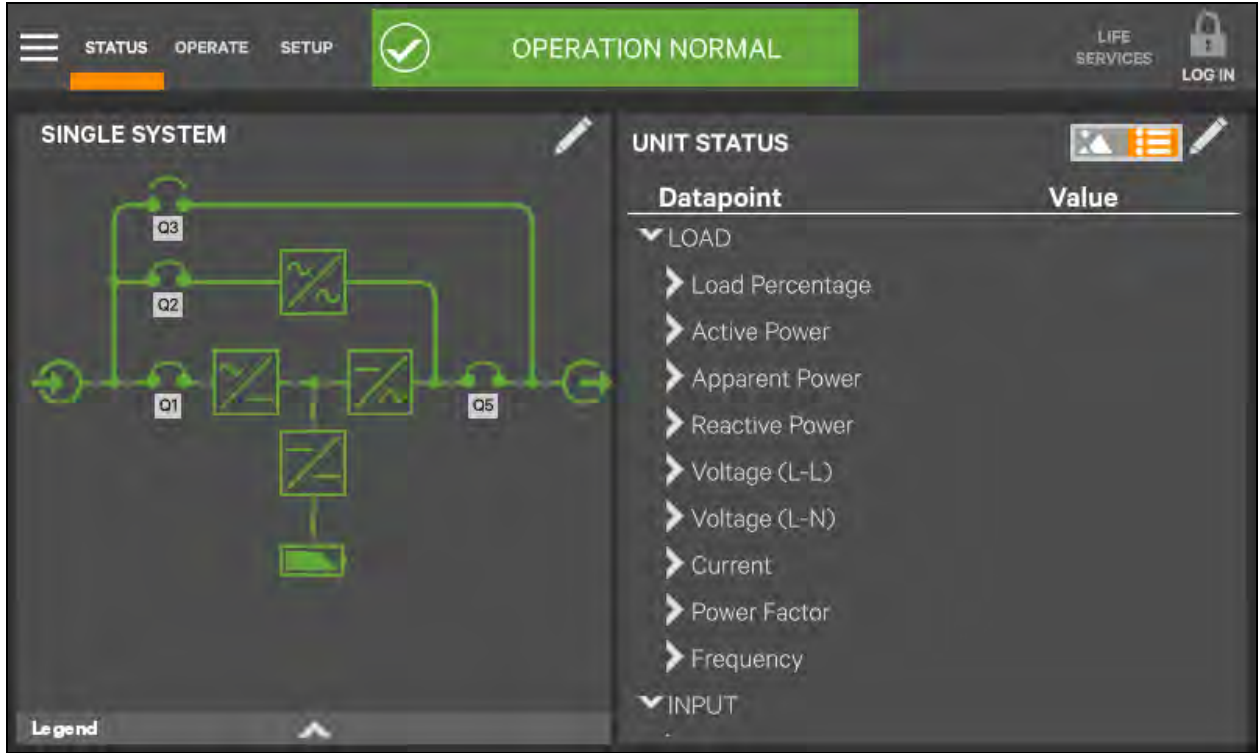
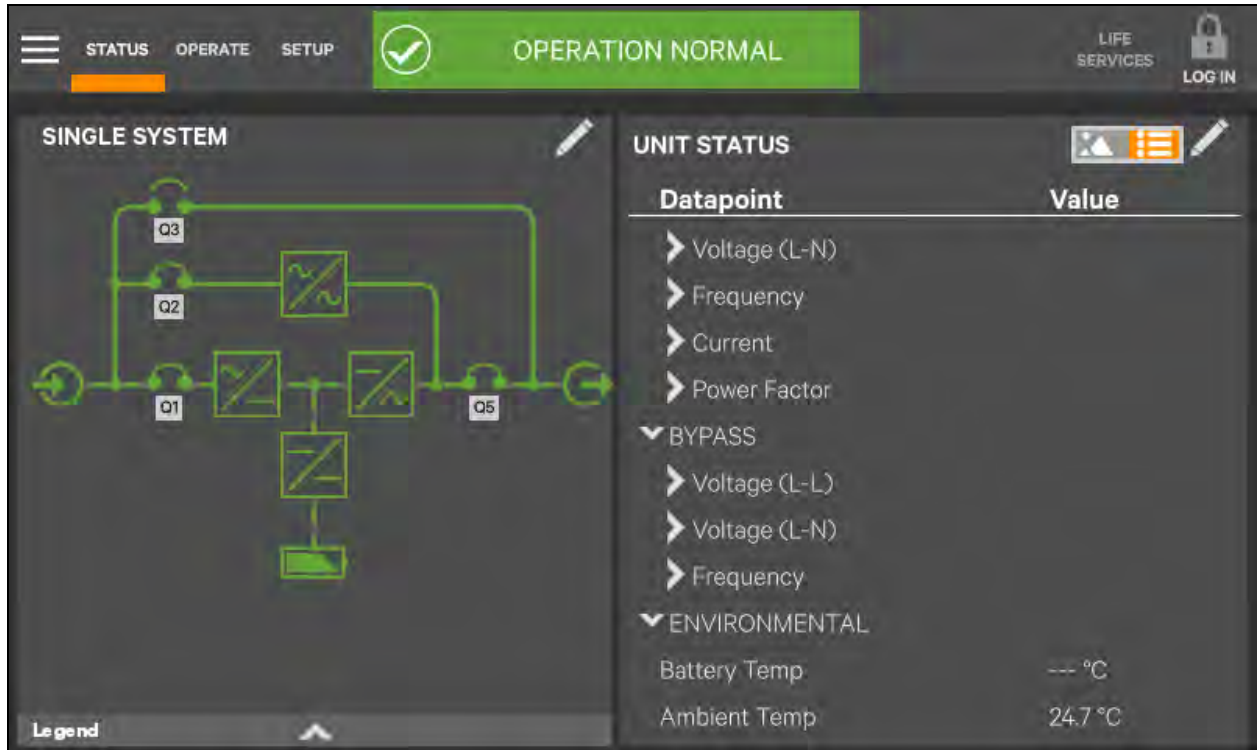


Figure 5.29 Unit status—Environmental details

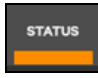




5.4.3 Logs—Alarms and Events

The Context Menu, when opened from the STATUS panel, permits viewing logs of alarms and events that have occurred on the UPS. Both logs include the date and time of occurrence, type, an ID, component affected, and a description of the alarm or event. The information is available to the Observers, those without a log in password.

To view the alarms or events:

1. Navigate to the STATUS panel , if required.
2. Touch the Context Menu icon.
3. Touch the log to view, alarms, or events; refer to **Figure 5.30** on the next page.

Touching Alarms immediately opens the list of alarms; touching Logs requires touching the UPS Event Log screen.

Figure 5.30 View alarms or events

The screenshot shows the top status bar with 'OPERATION NORMAL' in a green box. Below it is the 'EVENTS' section with a table of recent events. The table has columns: Date/Time, Type, ID, Com., Description, and Wave. The events listed are:

Date/Time	Type	ID	Com.	Description	Wave
22-09-28 12:56:14	✓	3091	MON	Load on Inverter	
22-09-28 12:56:08	✓	3031	MON	Inverter Manual On	
22-09-28 10:35:28	✓	3011	MON	Silence Active	
22-09-28 11:00:04	✓	3001	BYP	Fault Clear	
22-09-28 10:35:23	✓	39F1	MOD10	Module Comms. Normal	
22-09-28 10:35:23	✓	39F1	MOD9	Module Comms. Normal	
22-09-28 10:35:23	✓	39F1	MOD8	Module Comms. Normal	
22-09-28 10:35:23	✓	39F1	MOD7	Module Comms. Normal	

The screenshot shows the top status bar with 'LOAD ON INVERTER' in a green box. Below it is the 'EVENT LOG' section with a table of events. The table has columns: Date/Time, Type, ID, Status, Com., Description, and Wave. The events listed are:

Date/Time	Type	ID	Status	Com.	Description	Wave
22-09-28 10:35:23	Info	39F1	Set	MOD9	Module Comms. Normal	
22-09-28 10:35:23	Info	39F1	Set	MOD8	Module Comms. Normal	
22-09-28 10:35:23	Info	39F1	Set	MOD7	Module Comms. Normal	
22-09-28 10:35:23	Info	39F1	Set	MOD6	Module Comms. Normal	
22-09-28 10:35:23	Info	39F1	Set	MOD5	Module Comms. Normal	
22-09-28 10:35:23	Info	39F1	Set	MOD4	Module Comms. Normal	
22-09-28 10:35:23	Info	39F1	Set	MOD3	Module Comms. Normal	
22-09-28 10:35:23	Info	39F1	Set	MOD2	Module Comms. Normal	

5.5 Viewing UPS Component Status

The animated mimic screen permits viewing details about the main components installed and configured in the UPS. The data list opens on the opposite side of the screen and, for most parameters, expands to show all details for the component touched.

The same component information can be obtained by going to the Status -> Components menu.

Figure 5.31 Unit status—Input details

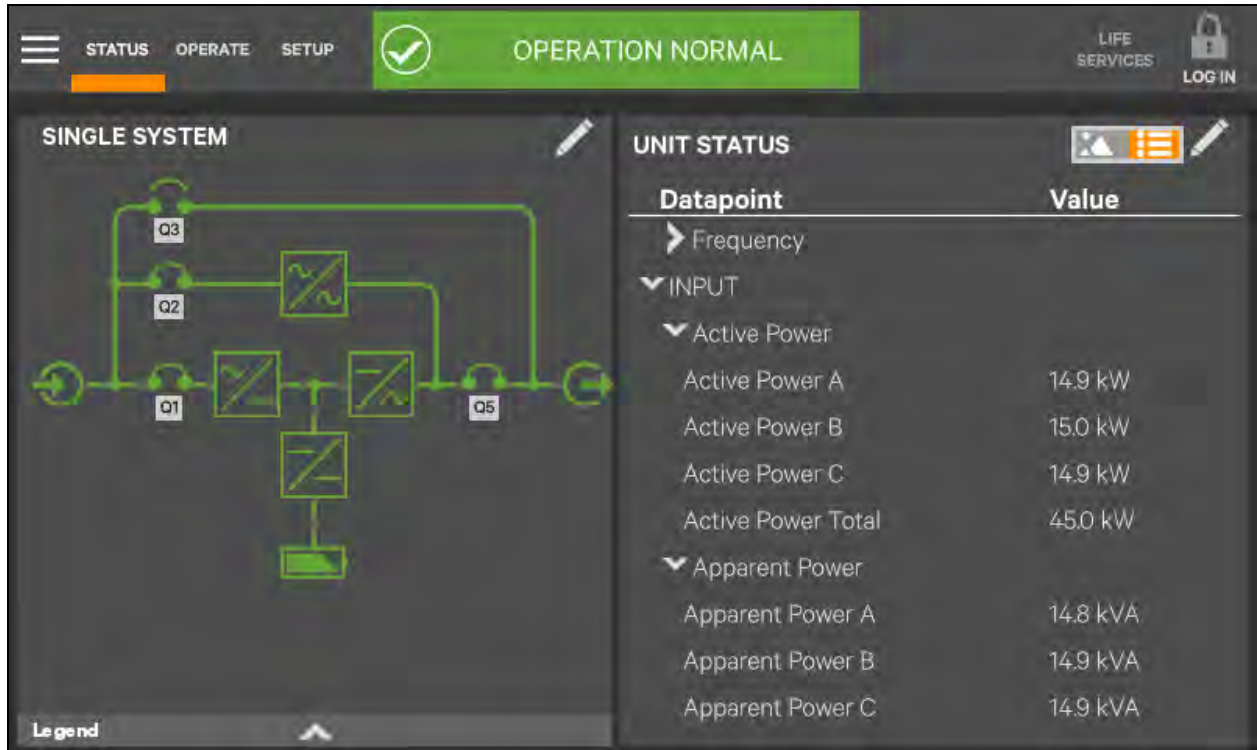


Figure 5.32 Unit status—Output details

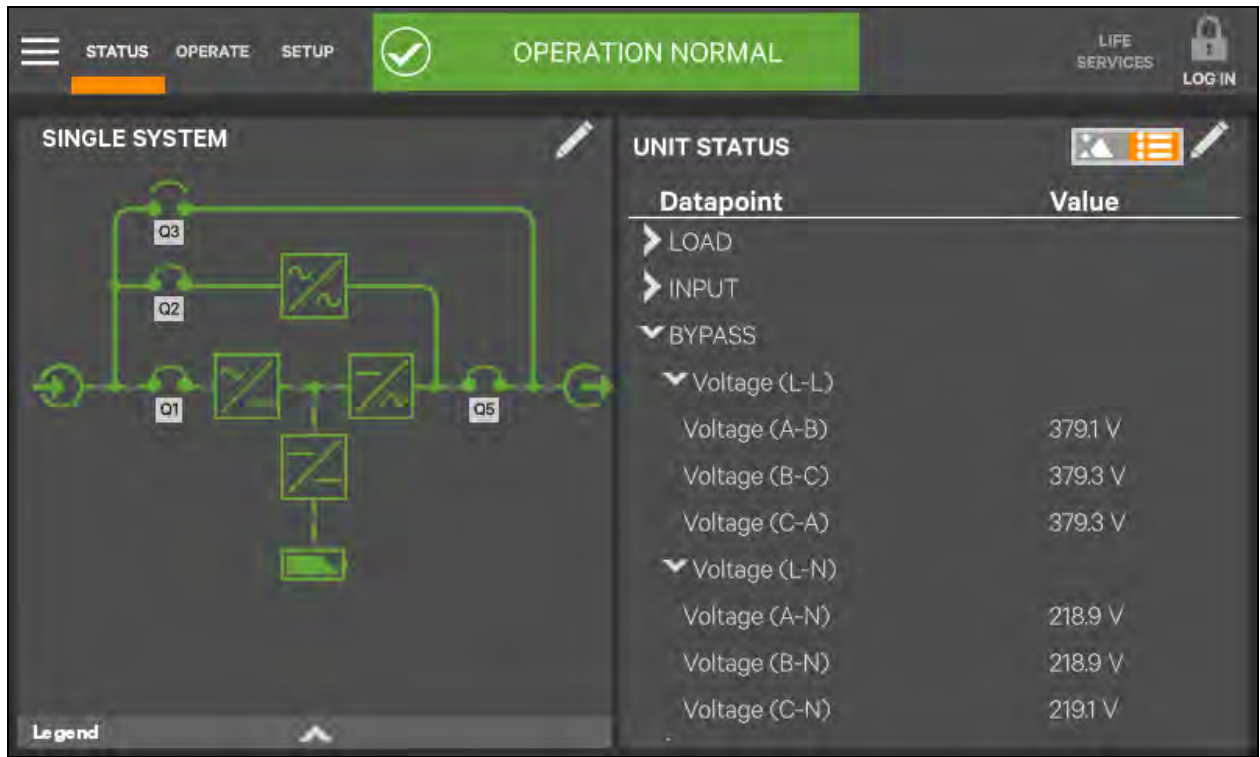


Figure 5.33 Unit status—Bypass details



Figure 5.34 Unit status—Power module details

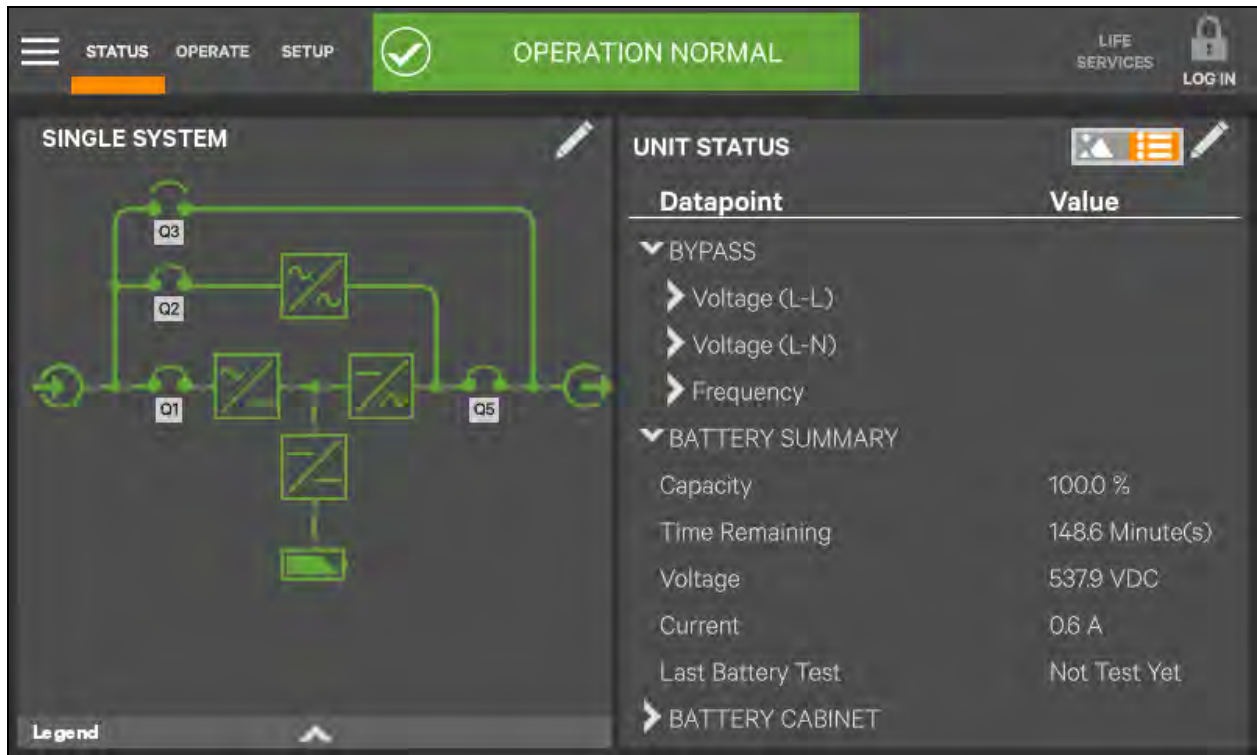
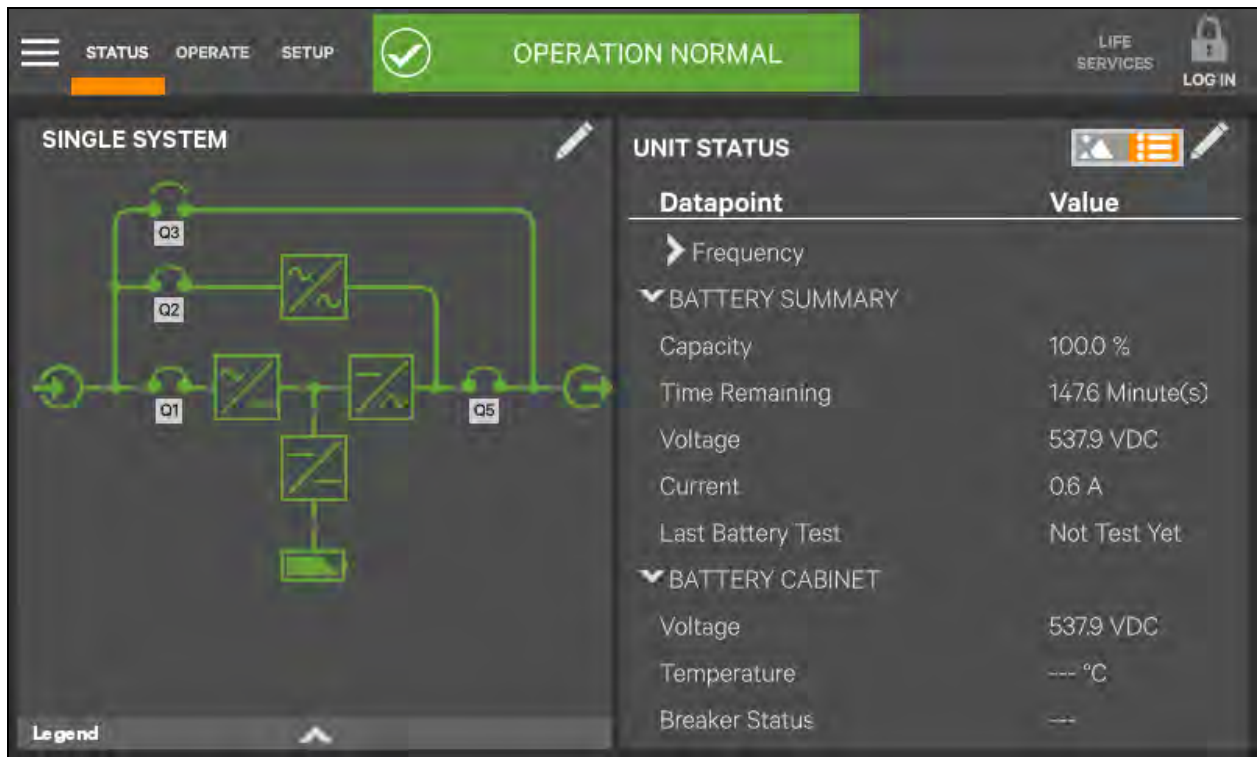


Figure 5.35 Unit status—Battery details



5.6 Status Bar Component

The status bar indicates UPS status by:

- Scrolling messages to inform viewers; see **Table 5.1** below through **Table 5.3** on page 98.
- Changing color; green for normal, yellow for warning, and red for alarm.
- Showing an icon inside the bar; shown at right.

5.6.1 Status Bar Messages



Up to three messages may scroll through the status bar to the right of the status icon. Each message will have a duration of four seconds, except they change immediately if the system’s status changes.

Table 5.1 Normal status messages

Message 1	Message 2	Message 3	Definition
Load on inverter	Frequency converter mode active	Output frequency X Hz	This system is in normal operating mode, supplied by the inverter and operating as a frequency converter
Load on inverter	Energy saving mode active	/	This system is in normal operating mode, supplied by the inverter, and has one of the energy saving modes active
Load on inverter	Operation normal	/	This system is in normal operating mode, supplied by the inverter, and has no special configurations
Load on bypass	Energy saving mode active	/	This system is in normal operating mode, supplied by the bypass , and has one of the energy saving modes active
Load on battery	Battery test in progress	/	This system is in normal operating mode, supplied by the inverter via the battery, and a battery test is actively running
Load off	Energy saving mode active	/	This system is in normal operating mode, load not supplied by this unit, and has one of the energy saving modes active
Load on inverter	Test mode active	/	This system is in normal operating mode, for the test mode that is activated

Table 5.2 Warning status messages

Message 1	Message 2	Message 3	Definition
Load on inverter	Output overload	/	This system is in warning operating mode, supplied by the inverter, and the system is in overload. Turn off inverter after crossing the predefined overload limit.
Load on inverter	Alarm active – Warning	View alarm log for details	This system is in warning operating mode, supplied by the inverter, and has an active warning. This means the system is operating, but something was detected to be outside of normal
Load on bypass	Load manually transferred to bypass	Load unprotected	This system is in warning operating mode, supplied by the inverter, and has an active warning. This means the system is operating, but something was detected to be outside of normal
Load on battery	X minutes remaining	/	This system is in warning operating mode, supplied by the inverter via the battery. There are X minutes of calculated run time remaining. This is used before the battery low-voltage warnings are generated
Load on bypass	Alarm active – Warning	View alarm log for details	This system is in warning operating mode, supplied by the bypass, and has an active warning. This means the system is operating after a transfer to bypass and something was determined to be outside normal range
Load on inverter	Energy saving mode active	Alarm active – Warning	This system is in warning operating mode, supplied by the inverter, one of the energy saving modes is active, and has an active warning. This means the system is operating, but something was determined to be outside normal range
Load on bypass	Energy saving mode active	Alarm active – Warning	This system is in warning operating mode, supplied by the bypass, one of the energy saving modes is active, and has an active warning. This means the system is operating, but something was determined to be outside normal range
Load off	Energy saving mode active	Alarm active – Warning	This system is in warning operating mode, load off, one of the energy saving modes is active, and has an active warning. This means the system is operating, but something was determined to be outside normal range

Table 5.2 Warning status messages (continued)

Message 1	Message 2	Message 3	Definition
Load on inverter	Test mode active	Alarm active – Warning	This system is in warning operating mode, supplied by the inverter, running in a system test mode, and has an active warning. This means the system is in TEST MODE, and something was determined to be outside normal test operations
Load on bypass	Test mode active	Alarm active – Warning	This system is in warning operating mode, supplied by the bypass, running in a system test mode, and has an active warning. This means the system is in TEST MODE, and something was determined to be outside normal test operation
Load on battery	Test mode active	Alarm active – Warning	This system is in warning operating mode, supplied by the battery, running in a system test mode, and has an active warning. This means the system is in TEST MODE, and something was determined to be outside normal test operations
Load on inverter	Frequency converter mode active	Alarm active – Warning	This system is in warning operating mode, supplied by the inverter, operating as a frequency converter, and has an active warning. This means the system is operating, but something was determined to be outside normal range

Table 5.3 Critical status messages

Message 1	Message 2	Message 3	Definition
Load on inverter	Output overload	Transfer to bypass pending	This system is in critical operating mode, supplied by the inverter, and system can withstand specific duration during overload conditions after that load will be transferred to bypass
Load on inverter	Alarm active – Critical	View alarm log for details	This system is in critical operating mode, supplied by the inverter. There is a critical fault in the system that the user needs to view
Load on bypass	Load Automatically transferred to bypass	View alarm log for details	This system is in critical operating mode, supplied by the bypass. The system moved the load to the bypass due to a critical fault in the system
Load on bypass	Alarm active – Critical	View alarm log for details	This system is in critical operating mode, supplied by the bypass. The system is running on bypass not due to auto- transfer, and a critical fault is active in the system
Load on battery	X minutes remaining	Load shutdown imminent	This system is in critical operating mode, supplied by the inverter via the battery. The battery is extremely low and the load will turn Off or transfer to bypass soon
Load off	Alarm active – Critical	View alarm log for details	This system is in critical operating mode, load not supplied by this unit. The load is not supplied for some reason and a critical fault is active
Load off	/	/	This system is in critical operating mode, load not supplied by this unit. The load is not supplied and no active fault is present

Table 5.3 Critical status messages (continued)

Message 1	Message 2	Message 3	Definition
Load on battery	Alarm active – Critical	View alarm log for details	This system is in critical operating mode, supplied by the battery. The system is running on inverter via the battery, is not in imminent shutdown and a critical fault is active in the system
Load off	Service mode active	/	This system is Off with a service mode active
Load on inverter	Energy saving mode active	Alarm active – Critical	This system is in critical operating mode, supplied by the inverter. The system is running on inverter, with an energy saving mode active and a critical fault is active in the system
Load on bypass	Energy saving mode active	Alarm active – Critical	This system is in critical operating mode, supplied by the bypass. The system is running on bypass, with an energy saving mode active and a critical fault is active in the system
Load off	Energy saving mode active	Alarm active – Critical	This system is in critical operating mode. The system is NOT running, with an energy saving mode active and a critical fault is active in the system
Load off	Test mode active	/	This system is off with a TEST MODE active
Load on inverter	Test mode active	Alarm active – Critical	This system is in critical operating mode, supplied by the inverter, running in a system test mode, and has an active fault. This means the system is in TEST MODE and something critical was determined to be outside normal test operations
Load on bypass	Test mode active	Alarm active – Critical	This system is in critical operating mode, supplied by the bypass, running in a system test mode, and has an active fault. This means the system is in TEST MODE, and something critical was determined to be outside normal test operation
Load on battery	Test mode active	Alarm active – Critical	This system is in critical operating mode, supplied by the inverter via the battery, running in a system test mode, and has an active fault. This means the system is in TEST MODE, and something critical was determined to be outside normal test operation
Load off	Test mode active	Alarm active – Critical	This system is in critical operating mode, with LOAD OFF, running in a system test mode, and has an active fault. This means the system is in TEST MODE, and something critical was determined to be outside normal test operation
Load on inverter	Frequency converter mode active	Alarm active – Critical	This system is in critical operating mode, supplied by the inverter, operating as a frequency converter, and has an active fault. This means the system is operating, but something critical was determined to be outside normal range
Load off	Frequency converter mode active	Alarm active – Critical	This system is in critical operating mode, load NOT supplied, operating as a frequency converter and has an active fault. This means the system is operating, but something critical was determined to be outside normal range

5.7 Alarm List

Table 5.4 below provides the complete list of UPS alarm messages for display either on the 'Event' menu or on the 'Records' menu.

Table 5.4 Alarm list

Alarm	Explanation
Fault Clear	FAULT CLEAR key on the operator control and display panel pressed
Rectifier in Setting	The rectifier starts up and is in synchronization
Inverter in Setting	The inverter starts up and is in synchronization
Inverter Manual On	INVERTER ON key on the operator control and display panel pressed to turn on the inverter
Inverter Manual Off	INVERTER OFF key on the operator control and display panel pressed to turn off the inverter
Turn On Fail	The inverter failed to turn on when the INVERTER ON key is pressed. This may be the result of an invalid operation (maintenance bypass switch closed) or DC bus or rectifier not ready
Rec. Soft Start Fail	Owing to low DC bus voltage, the rectifier will report this alarm
Silence Active	SILENCE ON/OFF key on the operator control and display panel pressed
Silence Inactive	SILENCE ON/OFF key on the operator control and display panel pressed in alarm silence state
Bypass Mode	The UPS is in bypass mode
Normal Mode	The UPS is in normal mode
Battery Mode	The UPS is in battery mode
Check UPS Output	UPS shutdown with no output power
Output Disabled	EOD event happened. Check the battery voltage
Other Bypass STS Fail	The adjacent bypass STS open circuit fault or short-circuit fault
Input Voltage Abnormal	The mains voltage is outside specifications and results in rectifier shutdown
Input Undervoltage	At least one phase main input voltage is within 132 V to 176 V, thus the load should be derated
Input Freq. Abnormal	The mains frequency is outside specifications and results in rectifier shutdown
Input Phase Reversed	The AC input phase rotation is reversed
Input Backfeed	Battery voltage fed back to rectifier input
Input Neutral Lost	AC rectifier input neutral line not detected
Input Current Abnormal	Battery load sharing imbalance or rectifier input current abnormal
Input Current Limit	Input current over limit
Bypass Unable to Trace	The voltage amplitude or frequency of bypass is out of the range of protection (the range is set in parameter). This alarm automatically resets once the bypass voltage goes normal
Bypass Abnormal	The amplitude or frequency of the bypass voltage exceeds the limit. This alarm automatically resets once the bypass voltage returns to normal
Bypass STS Fail	At least one of the STSs at the bypass side is open or shorted. This fault is locked until power-off
Byp. Abnormal Shutdown	Both the bypass and inverter voltages are abnormal, and the output is off

Table 5.4 Alarm list (continued)

Alarm	Explanation
Bypass Phase Reversed	The phase rotation of the bypass voltage is reversed
Bypass overcurrent	The bypass current is outside the rated current
Bypass backfeed	The bypass backfeed is faulty
Bypass Overtemperature	The bypass has overtemperature
Bypass in Charge	The bypass detects an inverter signal when the system runs normally. When the output voltage is abnormal, the system will transfer to bypass mode for power supply
Bypass in Setting	The bypass module is initialized and synchronized
Rectifier Fault	Bus voltage abnormal or battery SCR short circuit
DC Bus Overvoltage	The rectifier, inverter and battery converter shut down because the DC bus voltage is too high. The load transfers to bypass
DC Bus Abnor. Shutdown	The DC bus voltage is abnormal and results in inverter shutdown. The load transfers to bypass
Inverter Asynchronous	The output voltage and bypass voltage are not in phase. This alarm resets automatically once the condition is normal
Inverter Fault	Inverter output voltage outside specifications. Load transfers to bypass
Inverter Relay Fail	At least one of the inverter relays is opened or shorted. This fault is locked until mains power-off
Output Fuse Fail	At least one of the inverter output fuses is blown
Output Volt. Abnormal	At least one phase of the output voltages is abnormal
Output Overload	This alarm appears when the load arises above 105% of the nominal rating. The alarm automatically resets once the overload condition is removed
System Overload	This alarm appears when the total load rises above 105% of the nominal rating of the parallel system. The alarm automatically resets once the overload condition is removed
Out. Overload Timeout	The UPS overload status continues and the overload times out. When the time has expired, the load automatically transfers to the bypass
Load Impact Transfer	A transfer to bypass occurred due to a large inrush load. The UPS can recover automatically. Turn on the load equipment in stages to reduce the load impact on the inverter
Excess Auto Rexfers	The load remains on bypass power owing to excessive number of transfers that occurred within one hour
Excess ECO Auto Xfers	The load remains on bypass power owing to excessive number of transfers that occurred within one hour
Load Sharing Abnormal	The UPSs in a parallel system are not sharing the load current correctly
Other Module Xfer	All UPSs in the parallel system transfer to bypass at the same time when one of them needs to transfer to bypass. This message appears on the TOUCHSCREEN of the UPS with passive transfer to bypass
Control Power Xfer	The auxiliary power failure or power-off
EPO	EPO button on operator control and display panel pressed or external EPO command received
Fan Abnormal	At least one fan has fault
Operation Invalid	Maintenance bypass switch is closed when the parallel system is on inverter, or output switch and maintenance bypass switch are closed when the inverter is on
LBS Active	The LBS setting is active
LBS Abnormal	LBS is abnormal

Table 5.4 Alarm list (continued)

Alarm	Explanation
Input Switch Open	Input switch is open
Maint. Switch Open	Maintenance bypass switch is open
Maint. Switch Closed	Maintenance bypass switch is closed
Bypass Switch Open	Bypass switch is open
Output Switch Open	Output switch is open
Charger Fault	Battery charger has failure
Discharger Curr. Limit	Discharge current is over limit, close the discharger
Autostart	After UPS shutdown at EOD, the inverter automatically starts upon mains restoration
Batt. Equalize Charge	The battery is forced to be in boost charge state
Rectifier DSP Update	Rectifier DSP software being updated
Rectifier FPGA Update	Rectifier FPGA software being updated
Inverter DSP Update	Inverter DSP software being updated
Inverter FPGA Update	Inverter FPGA software being updated
Bypass DSP Update	Bypass DSP software being updated
Bypass FPGA Update	Bypass FPGA software being updated
Monitor Update	Monitoring software being updated
Flash Operate Fail	Historical record not saved
Remote Turn On	Turn on the inverter through the service command
Remote Turn On Fail	Caused by invalid operation (maintenance bypass switch closed), DC bus or rectifier not ready
Remote Turn Off	Turn off the inverter through the service command
No Battery	Check the battery and battery connection
Discharger Fault	Bus voltage abnormal
Battery Reversed	Reconnect battery and check battery wiring
Battery Period Testing	The battery is under automatic periodic battery maintenance test (20% capacity discharge)
Batt. Capacity Testing	The user initiated a battery capacity test (100% capacity discharge)
Batt. Maint. Testing	The user initiated a maintenance test (20% capacity discharge)
Batt. End of Discharge	Inverter turned off due to battery EOD
Battery Overtemp.	The battery temperature is over limit
Low Battery Warning	Before the EOD, battery low pre-warning will occur. After this pre-warning, the battery will have the capacity for 3min discharging with full load. The time is user-settable from 3 min to 6 min
On Generator	Dry contact signal, indicating generator connected
Battery Maintain	Capacity of the battery
Battery Ground Fault	Battery has ground fault

Table 5.4 Alarm list (continued)

Alarm	Explanation
Batt. Room Temp. Abn.	Battery room has overtemperature (option included)
BCB1 Status Abnormal	Logic conflict between BCB1 drive signal and backfeed signal
BCB1 Closed	BCB1 state (closed)
BCB1 Open	BCB1 state (open)
Phase A Out. Fuse Fail	Check that the wire jumper on the X3 board is correct
Phase B Out. Fuse Fail	Check that the wire jumper on the X3 board is correct
Phase C Out. Fuse Fail	Check that the wire jumper on the X3 board is correct
Equalize Chg. Timeout	The actual float charging time exceeds the time set by the setting software
Mon CAN Comm. Abnor.	Communication failure among internal monitoring board and inverter, rectifier, and bypass
Para Mon CAN Comm. Abnor.	Communication fault between racks
Power CAN Comm. Abnor.	Communication failure among inverter, rectifier and bypass
Para Power CAN Comm Abnor.	Communication failure between different UPSs in parallel system. Check if any UPS is not powered on or parallel cables are not well connected, then clear the fault to restart the UPS
Discr.Bus Comm.Abnor.	Communication failure between discrete bus inside the rack. It is recommended to confirm that the rear communication cables connection inside the rack is reliable
ParaDiscrBusCommAbnor.	Communication failure between discrete bus inside the rack. It is recommended to confirm that the rear communication cables connection inside each rack is reliable, and that the bypass module is fixed
Ambient Overtemp.	The overtemperature detection of ambient temperature, which can be set through the setting software
By. SCR Fan Abnormal	The internal fan of bypass module is faulty
Top-outlet Fan Abnor.	The fan of top air outlet is faulty
System Interrupt Xfer	Execute the interval transfer under conditions of bypass unable to trace and inverter phase not locked
Para. Cable Abnormal	Parallel cables are not well connected, or the cables are damaged
LBS Cable Abnormal	LBS cables are not well connected, or the cables are damaged
Loss of Redundancy	Loss of redundant capacity
Pwr. Hardware Mismatch	The model information set at the host is inconsistent with the actual situation
Module Overtemp.	The power tubes of rectifier and inverter inside the module have overtemperature
Charger Overtemp.	The power tube of charger inside the module has overtemperature

NOTE: For UPS installed with the optional battery monitor, refer to the user manual of the battery monitor for the alarm messages related to battery cell and charge current.

NOTE: If the alarm is caused through setting the software value by Vertiv authorized engineer, and you wish to change the setting values, please contact the Vertiv local customer service center.

This page intentionally left blank

6 Single UPS Operation Introduction

This chapter introduces the operating precautions and routine operating methods of single UPS module in detail. For the operating precautions and routine operating methods of UPS parallel system, refer to Parallel System and LBS System for details.

6.1 Brief Introduction

6.1.1 Precautions

IMPORTANT! The user can conduct relative operation only after the authorized engineer carries out the first power on and test.



WARNING! Hazardous mains and/or battery voltage

No operator-serviceable parts are located behind covers that require a tool for their removal. Only qualified service personnel are authorized to remove such covers.

The AC input and output terminals of UPS have dangerous voltage at any time. If the cabinet is equipped with an EMC filter, the filter may have dangerous voltage.

1. For the control keys and touch screen related operating steps, refer to Operator Control and Display Panel.
2. During operation, the buzzer alarm may occur at any time. Press SILENCE ON/OFF key to silence the audible alarm.
3. When UPS uses traditional lead-acid battery, the system provides boost charge optional function. If the lead-acid battery is used, when the mains returns after an extended mains failure, the charging voltage of the battery will be higher than the normal charging voltage, this is normal, and the charging voltage of the battery will return to normal value after a few hours' of charging.

6.1.2 Power Switch

Opening the front door of the UPS cabinet reveals the power switches, as shown in **Figure 6.1** below, including:

Q1: Rectifier input switch, which connects UPS to the main circuit power.

Q2: Bypass input switch, which connects UPS to the bypass.

Q3: Maintenance bypass switch (With error-proof operation buckle), which supplies power to the load when UPS is being maintained.

NOTE: If the UPS system consists of more than two paralleled UPS modules, do not use the internal maintenance bypass switch.

Q5: Output switch, which connects UPS output to the load.

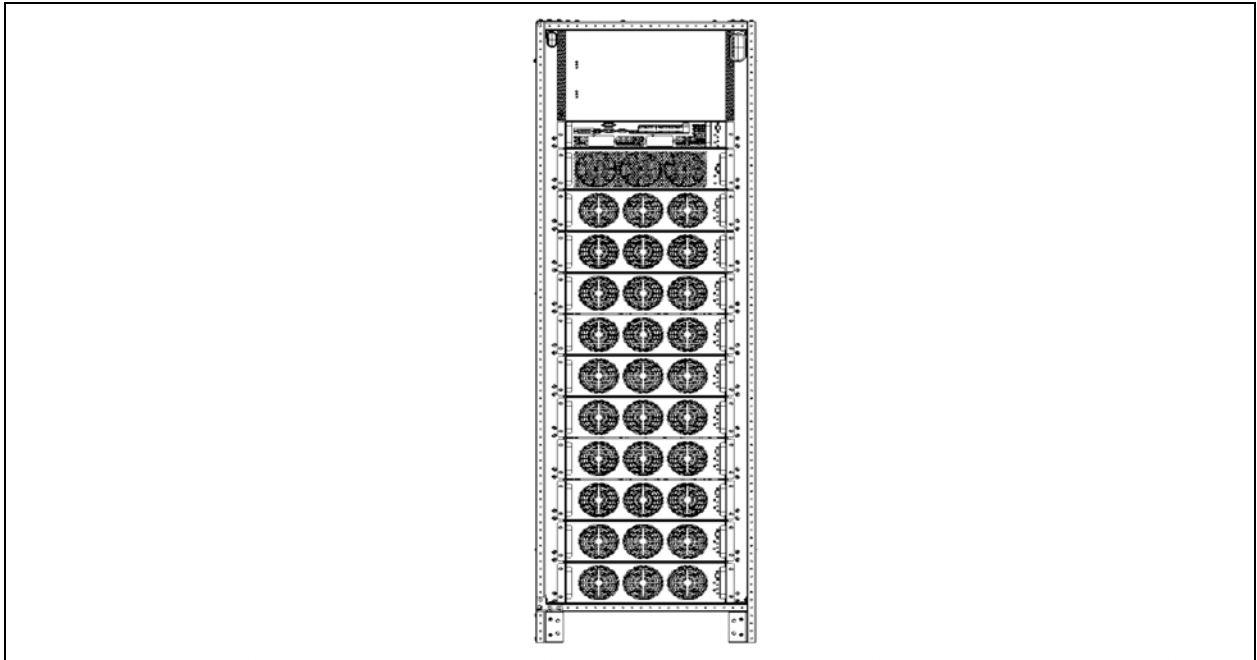
NOTE: Q1, Q2, and Q5 are available for four switches model while Q3 is available for single switch.

NOTE: For UPS maintenance and dust removal, please install all other switches (including external maintenance bypass switch) when using Q3 or the UPS without switch only.

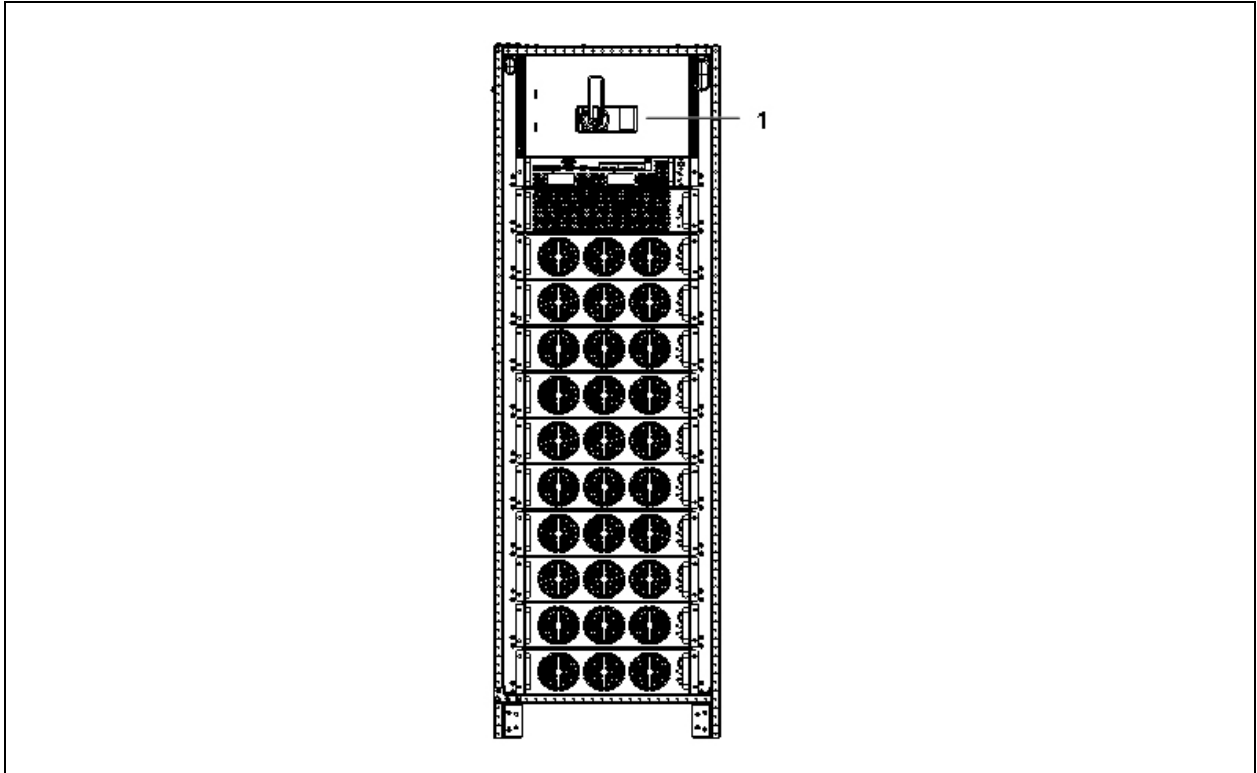
NOTE: The input-output N line inside the UPS is inter-operable. If the external N line is not disconnected during maintenance, please pay attention to safety.

Figure 6.1 500 kVA UPS power switch

(a) Without switch

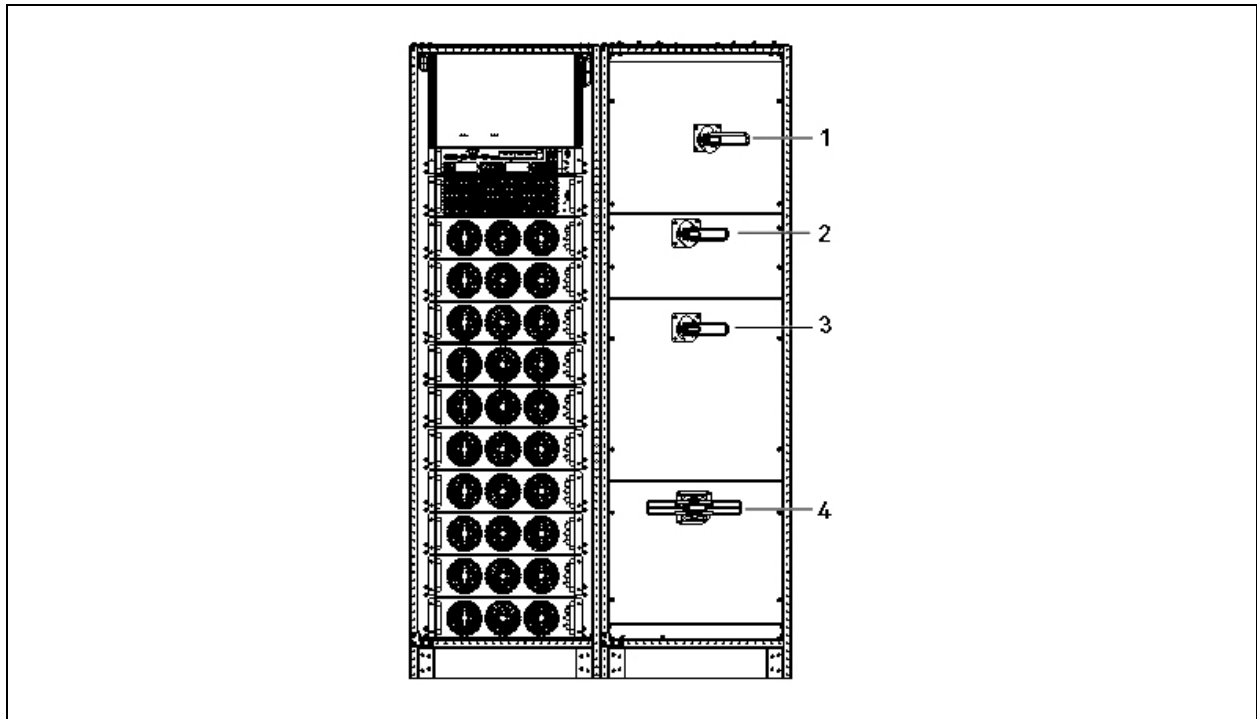


(b) Single switch (Applicable for APAC Region)



No.	Description
1	Q3 (Maintenance Bypass Switch)

(c) Four switches



No.	Description
1	Q5 (Output switch)
2	Q3 (Maintenance bypass switch)
3	Q2 (Bypass input switch)
4	Q1 (Rectifier input switch)

6.2 UPS Startup Procedures

The UPS must be completely installed and tested by authorized engineer, and external power supply switch is closed, then you can start the UPS.

6.2.1 Startup Procedures in Normal Mode



WARNING! These procedures result in mains voltage being applied to the UPS output terminals.



WARNING! If any load equipment is connected to the UPS output terminals, check with the user that it is safe to apply power. If the load is not ready to receive power, please disconnect the downstream load switch, and stick a warning label on the connection point of the load.

Use the following procedures to turn on the UPS from a fully powered down condition:

1. Open the front door of the UPS, ensure that the internal maintenance bypass switch Q3 is disconnected, while the input cables and copper bars are reliably connected.
2. Close the external input switch, ensure that the UPS input voltage, frequency, and phase are normal.



WARNING! In parallel UPS configuration, all operations related to disconnection or connection of the maintenance bypass switch shall be executed within three seconds to avoid overload situations & damage to the maintenance bypass switch.

3. Close the output switch Q5, bypass input switch Q2, rectifier input switch Q1, and all external output isolating switches (if any) of the UPS in turn.

At the moment, the system is powered on, and the startup screen pops up.



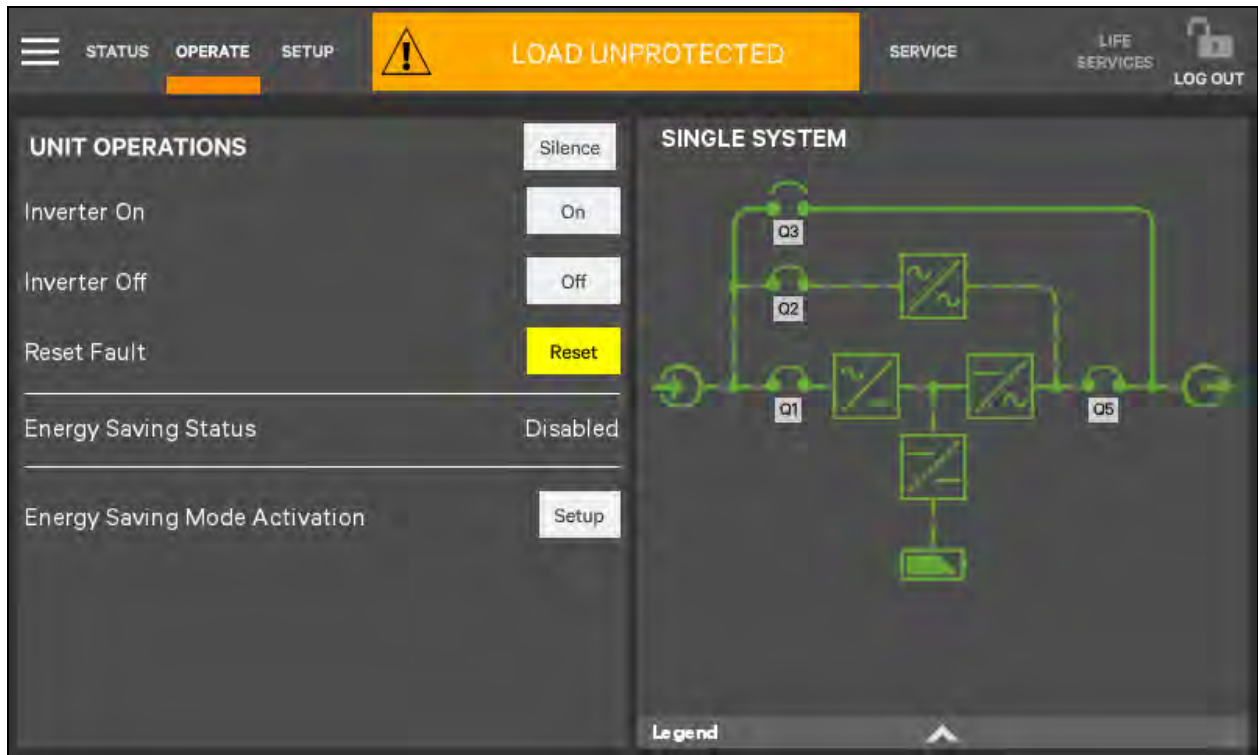
About 25 seconds later, click the LOG IN icon to enter the system by inputting correct password.

Figure 6.2 Inputting password



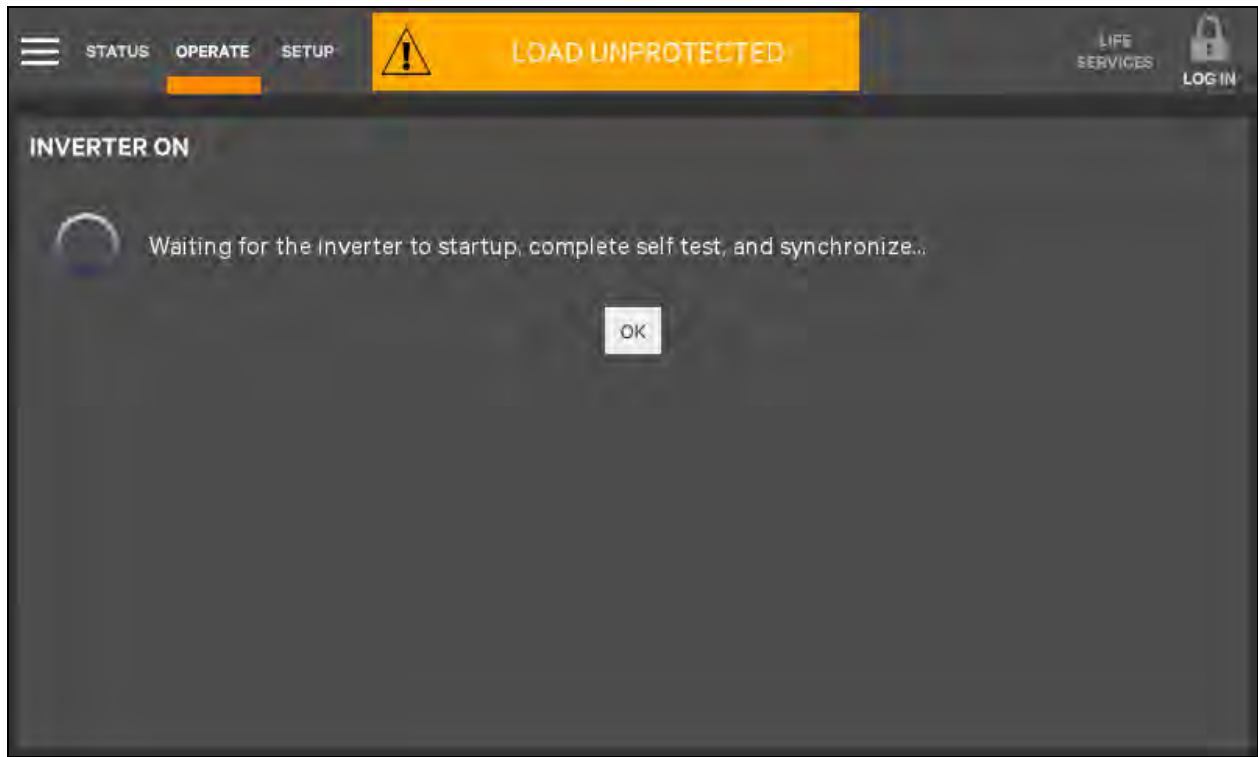
4. When the rectifier start process is finished, close the battery circuit breaker, and the system will run in Bypass mode (Power flow shown in **Figure 6.3** on the facing page). Click the **On** key (Refer to Operator Controls).

Figure 6.3 Clicking INVERTER ON key



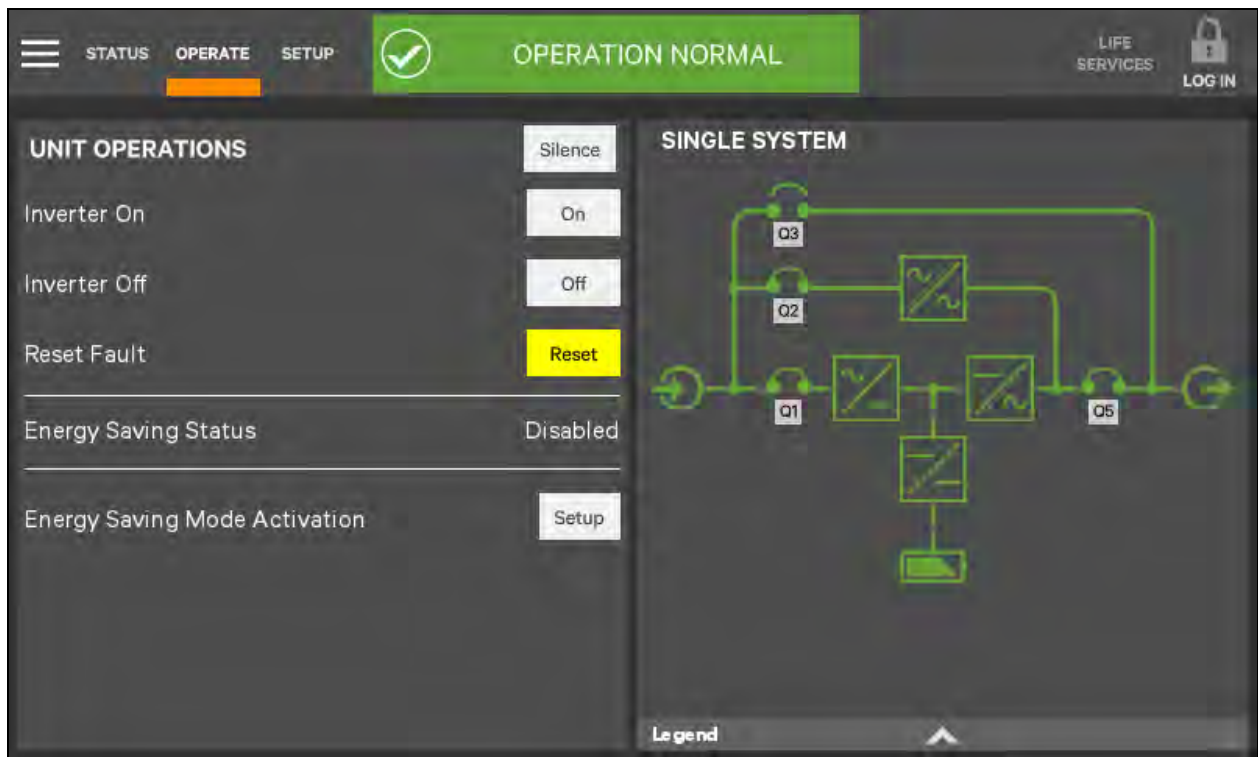
5. The inverter starts self-test and sync.

Figure 6.4 Inverter self-test and sync



6. Start-up is finished.

Figure 6.5 Start-up finished



6.2.2 Startup Procedures in ECO Mode

1. Open the front door of the UPS, ensure that the internal maintenance bypass switch Q3 is disconnected, and that the input cables and copper bars are reliably connected.



WARNING! In parallel UPS configuration, all operations related to disconnection or connection of the maintenance bypass switch shall be executed within three seconds to avoid overload situations & damage to the maintenance bypass switch.

2. Close the output switch Q5, bypass input switch Q2, rectifier input switch Q1, and all external output isolating switches (if any) of the UPS in turn.

At the moment, the system is powered on, and the startup screen pops up.

3. If ECO mode is required, contact Vertiv service engineer to set it through the setting software. If you wish to set it by yourself, you can enable it through the sub-menu under 'SETUP' on the TOUCHSCREEN screen. For details, refer to Operator Controls.

Figure 6.6 Setting ECO mode



4. When the rectifier start process is finished, start the system according to Startup Procedures in Normal Mode. After the inverter runs normally, if the bypass voltage is within the range of ECO power supply, then the system works in ECO mode; otherwise the system will transfer to inverter. The system will automatically work in ECO mode after the bypass voltage is within the range of ECO power supply and lasts for five minutes.

UPS operated in ECO mode

6.2.3 Startup Procedures in Battery Mode (Battery Cold Start)

1. Please wait for 30 sec after battery path switch is closed, press the battery cold start button (see **Figure 6.7** below for its position) of any module.
2. When the rectifier starts, start the system according to steps 4 to 6 in Startup Procedures in Normal Mode.



WARNING! Start the UPS by strictly following the above procedures.

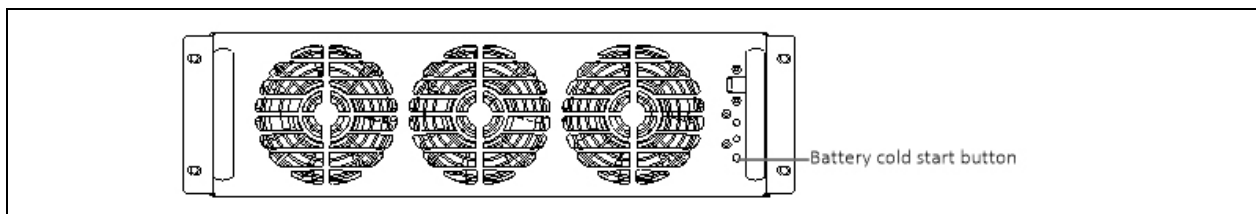


WARNING! Press and hold the battery cold start button for 1s to perform the above procedures.



WARNING! Do not press the battery cold start button before switching on the BCB.

Figure 6.7 Battery cold start button



No.	Description
1	Battery cold start button

6.3 Procedures for Transfer Between Operation Modes

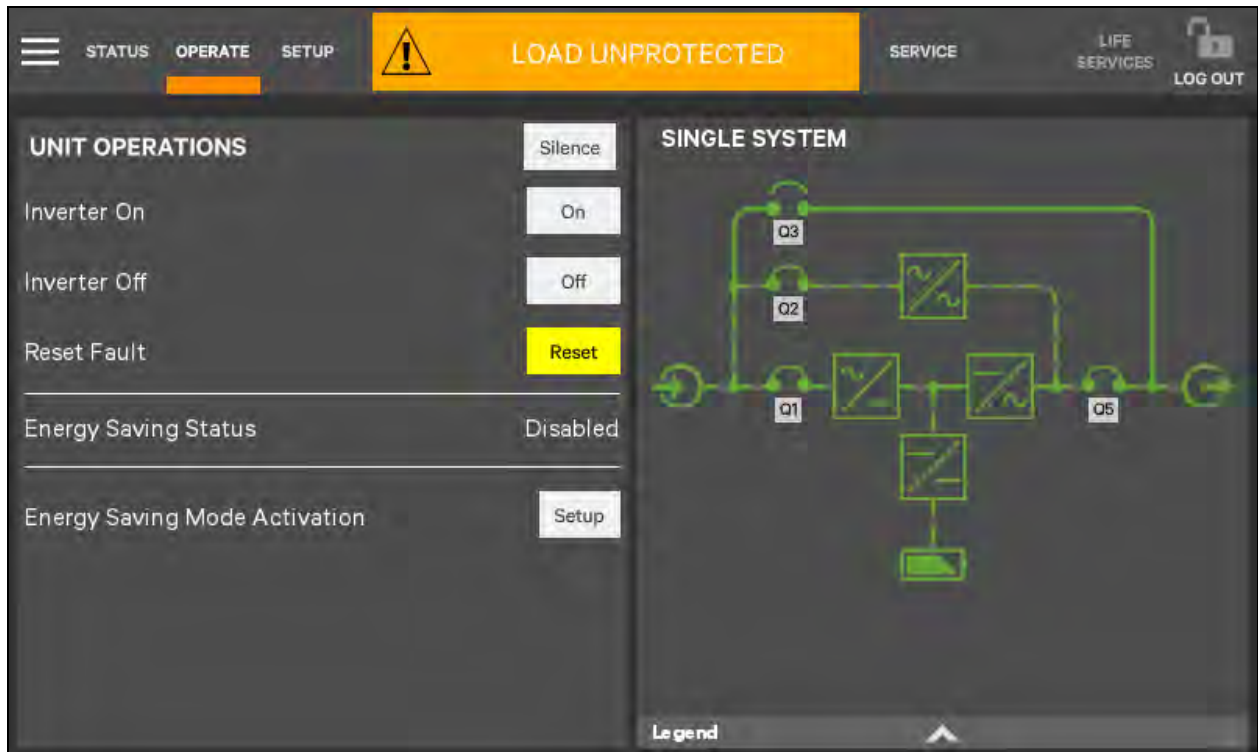
6.3.1 Transfer from Normal Mode to Battery Mode

Open the external power switch to isolate the mains power and initiate the UPS on battery mode. To transfer the UPS back to normal mode, close the external power switch to re-connect the mains power to the UPS. 10 seconds later, the rectifier restarts automatically, and the UPS works in normal mode.

6.3.2 Transfer from Normal Mode to Bypass Mode

Click the **Off** key as shown in **Figure 6.8** below, and the UPS will transfer to bypass mode.

Figure 6.8 Transfer UPS to Bypass mode

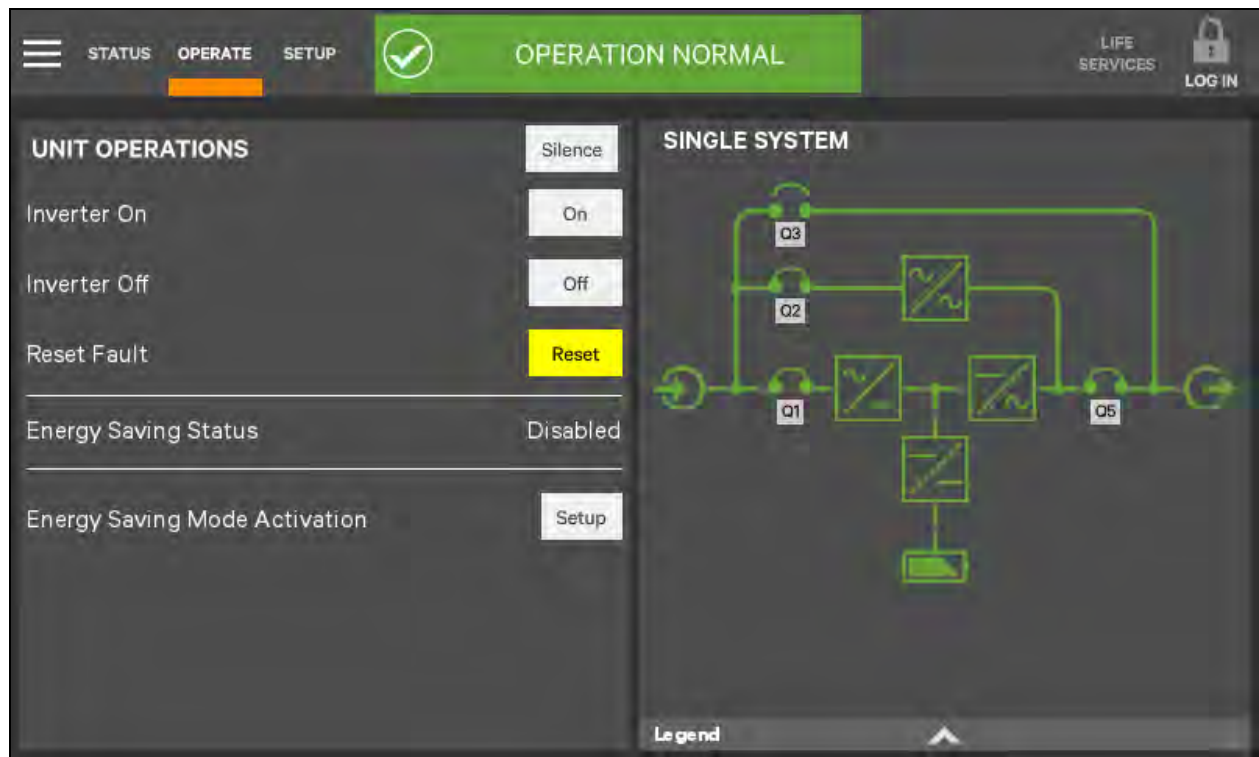


NOTE: In bypass mode, the load is directly fed by the mains power instead of the pure AC power from the inverter.

6.3.3 Transfer from Bypass Mode to Normal Mode

When the UPS is in bypass mode, click the **On** key as shown in **Figure 6.9** on the facing page, and the inverter starts up. Then the UPS is transferred from bypass mode to normal mode.

Figure 6.9 Transfer UPS to Normal mode



6.3.4 Transfer from Normal Mode to Maintenance Mode

The following procedures will transfer the UPS from inverter output mode to the maintenance bypass mode.



CAUTION: Power supply interruption danger of the load. Before making this operation, read the information on the TOUCHSCREEN to make sure that the bypass supply is normal and that the inverter is synchronous with the bypass supply, so as to not risk a short interruption in power to the load.

1. Shut down the inverter according to Transfer from Normal Mode to Bypass Mode.

NOTE: The alarm can be silenced but leaves the alarm message displayed until the alarm condition is rectified.

2. Close the maintenance bypass switch Q3.
3. At the moment, the maintenance bypass and UPS static bypass are in parallel.
4. The TOUCH SCREEN displays 'Maint. Switch Closed'.



CAUTION: When the UPS is in maintenance mode, the load is not protected against abnormal mains supply.

5. Pressing the EPO button stops the operation of rectifier, inverter, static switch, and battery but this action will not affect the maintenance bypass power the load normally.

NOTE: Under maintenance mode, the load is directly fed by the mains power instead of the pure AC power from the inverter.

6. Disconnect the rectifier input switch Q1, bypass input switch Q2, and output switch Q5.

At the moment, all the internal power supply is off, and the TOUCH SCREEN does not display any more.



WARNING! If the maintenance is required, wait 10 minutes for the internal DC bus capacitance to discharge.



WARNING! The parts of UPS circuits also have hazardous voltage, though the rectifier input switch, bypass input switch and battery switch are disconnected. Therefore, the UPS maintenance is applicable to qualified personnel only.



WARNING! For models without Q1, Q2 and Q5, when the external input switch is not disconnected, there is a hazardous voltage inside the UPS. For UPS maintenance and dust removal, other switches (including external maintenance bypass switches) must be installed when using Q3 or the UPS without switch only.

6.3.5 Transfer from Maintenance Mode to Normal Mode

The following procedures will transfer the maintenance bypass supply mode of the UPS to the normal mode.

1. Close the output switch Q5, external power bypass switch, bypass input switch Q2, external power main switch and rectifier input switch Q1 in turn.

Confirm that the TOUCHSCREEN is on and the UPS runs in Bypass mode.

2. Disconnect the maintenance bypass switch Q3.
3. Start the system according to steps 4 to 6 in Startup Procedures in Normal Mode.

Now the UPS runs in Normal mode.



WARNING! You must start the bypass first, and then disconnect the maintenance bypass switch; or it may cause output load power failure.

At the moment, the load has transferred to UPS normal mode.

6.4 Battery Test Procedures

The battery test function is disabled by default. If you need this function, please contact the customer service engineer of Vertiv.

The battery self-test includes periodical self-test and manual maintenance self-test. When the load factor is 0 to 20%, the system only supports manual maintenance self-test; when the load factor is 20% to 100%, the system supports periodical self-test and manual maintenance self-test. The battery discharges 20% of total battery energy.

Periodical self-test is to test the battery activity. The periodical self-test is regular, and the self-test period can be configured via the Vertiv software setting. During the periodical self-test, if the battery maintenance requirement is met, the system will generate audible/visual alarm and corresponding records. The periodical self-test does not update the battery curve table.

The mode of the manual maintenance self-test is similar to that of the periodical self-test, except for the maintenance self-test mode is started manually, and this operation is valid only one time, that is the system will not automatically start up the self-test once you exit. During the maintenance self-test, if the battery maintenance requirement is satisfied, the system will generate audible/visual alarm and corresponding records. The maintenance self-test does not update the battery curve table.

NOTE: The periodical self-test should satisfy the conditions of battery float charge at least 5 h, and generator not connected, while the manual maintenance self-test just satisfies the conditions of battery fully charged.

Method

1. Manual maintenance self-test: via the TOUCH SCREEN.
2. Periodical self-test: self-test period can be configured via the Vertiv software setting. The range of battery self-test period is 30 days to 360 days (default: 60 days).

Self-test startup conditions

1. System load rate is within 0 to 20% (manual maintenance self-test) or 20% to 100% (periodical self-test), stable output.
2. Battery in fully charged state, battery float charge at least 5 h, and generator not connected.
3. Current system is in float charge state.

Self-test exit conditions

1. Confirm that the system is not in self-test state at least 10 seconds, and satisfies the following conditions: in battery mode or rectifier is closed, and then the system will shift to battery supply state.
2. During the self-test, the system will shift to float charge state if the load fluctuation, UPS module overload, or no battery occurs.
3. During the self-test, if the battery voltage is lower than the calculated pre-alarm voltage, or the battery discharge exceeds the protection time, then the system will shift to float charge state.
4. The user can manually stop the maintenance test via the TOUCH SCREEN.
5. During the manual maintenance self-test, when the load rate ranges from 0 to 20%, the system will shift to float charge state after the battery discharge for 5 min.

NOTE: After the self-test is successful, the system will fully clear the self-test interval counter. If the self-test fails this time, then exits the system; when self-test conditions are satisfied again, enters self-test once more.

Procedures for battery self-test

1. Enter the level of OPERATE.



2. Click the icon  .
3. Click the menu icon  on the upper left corner.
4. Click the 'Battery Operations' to display the interface shown in **Figure 6.10** below.

Figure 6.10 Battery management interface



5. Respectively click 'Automatic Battery Test', 'Manual Battery Test', 'Calibrated Battery Test' and 'Battery Equalize', then you can execute corresponding settings and operation..

6.5 UPS Shutdown Procedures

6.5.1 Procedures for Completely Powering Down UPS

Complete UPS shutdown and load power-off should follow this procedure. All power switches, isolating switches, and breakers are disconnected and then UPS no longer supplies power to load.



CAUTION: The following procedures will cut off the load power, making the load completely power off.

1. Click the INVERTER OFF key to stop the operation of the inverter (Refer to Operator Controls), then press the EPO button to stop the operation of the rectifier, static switch, and battery.
2. Disconnect the external battery switch.
3. Disconnect the rectifier input switch Q1, bypass input switch Q2, and output switch Q5. At the moment, all the internal power supply is off, and the TOUCHSCREEN does not display any more.



WARNING! Post a label at the AC input distribution (generally far away from the UPS) to alert that the UPS maintenance is being operated.



WARNING! Wait 10 minutes for the internal DC bus capacitance to discharge. Then the UPS is completely shut down.



WARNING! Hazardous battery voltage: The battery terminals still have hazardous voltage after the UPS is completely shut down.

6.5.2 Procedures for Completely Powering Down UPS while Maintaining Power to Load

The following procedures are suitable for completely powering down the UPS and keeping the power supply to the load. Refer to the procedures in Transfer from Normal Mode to Maintenance Mode.

6.6 EPO Procedures

The EPO is designed to switch off the UPS in emergency conditions (that is, fire, flood, etc.). To carry out EPO, you just need to press the EPO button (press the button at least 1 s), then the system will turn off the rectifier, inverter and stop powering the load immediately (including the inverter and bypass), and the battery stops charging or discharging.

After EPO, if the input mains is present, the UPS's control circuit will remain active; however, the output will be turned off. To remove all power from the UPS, first disconnect the external power switch of the UPS.

6.7 UPS Reset Procedures after EPO

After shutting down the UPS through EPO or reasons of UPS fault, clear the fault according to the alarm message displayed on TOUCHSCREEN. Then carry out the following reset procedures to make UPS resume normal operation.

After confirming the fault has been cleared and no remote EPO signal is received, the user can carry out the following procedures:

1. Click the Reset FAULT button (Refer to Operator Controls), the system will exit the EPO/abnormal OFF state, and the alarm indicator flashes in red color.
2. After the rectifier start-up is finished, normally start the UPS according to Transfer from Bypass Mode to Normal Mode.

NOTE: The rectifier will start automatically when the overtemperature fault disappears five minutes after the disappearance of overtemperature signal.

3. After pressing the EPO button, if the mains input is switched off, the UPS will shut down completely. When the mains input returns, the UPS will start up on bypass. There will be power at the output terminals of the UPS.



WARNING! If the maintenance bypass switch Q3 is closed, and UPS has input power, it means UPS has outputs.

6.8 Automatic Restart

In the case of a mains failure, the UPS draws power from the battery system to supply the load until the batteries are depleted. When the UPS reaches its EOD threshold, it will shut down.

The UPS will automatically restart and enable output power only when the following conditions are met:

1. If Auto Recovery after EOD is enabled.
2. After the Auto Recovery after EOD Delay Time expires (the default delay is 10 minutes), the UPS restarts bypass, then inverter. During the automatic recovery delay, the UPS will charge its batteries to provide a safety margin for equipment shutdown if input power fails again.

NOTE: During the automatic restart process, manual startup is disabled. Automatic restart must be set by Vertiv's authorized service engineer through Vertiv setting software.

3. If the UPS disables Automatic Restart function, the user can first execute 'Reset Fault'. After the rectifier start-up is finished, start the UPS following normal procedures.

6.9 Selecting Language

Use the following procedures to select the language:

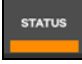

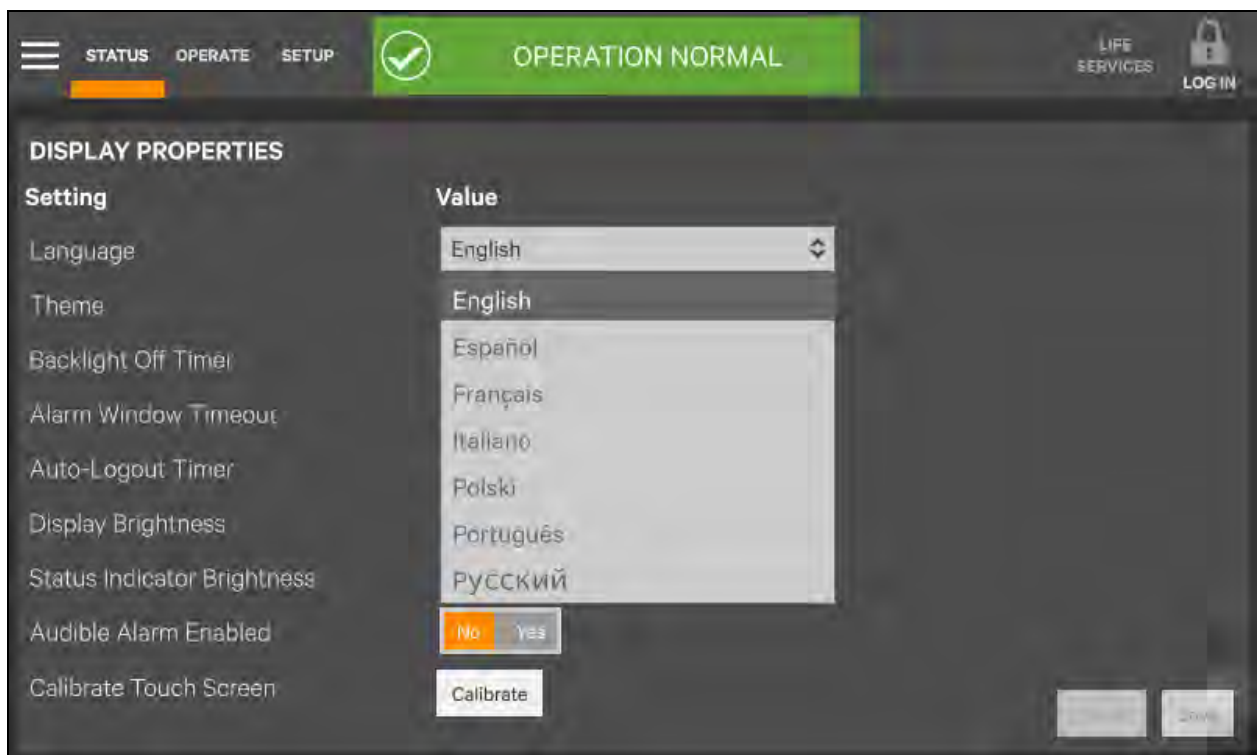
1. Click on the  icon.
2. Click on the  icon.
3. Click the item of Display.
4. Click 'Display Properties'.
5. As shown in **Figure 6.11** below, click 'Language' to set the language you need.

Figure 6.11 Setting language



6.10 Changing Current Date and Time

Use the following procedures to change the system date and time:

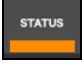

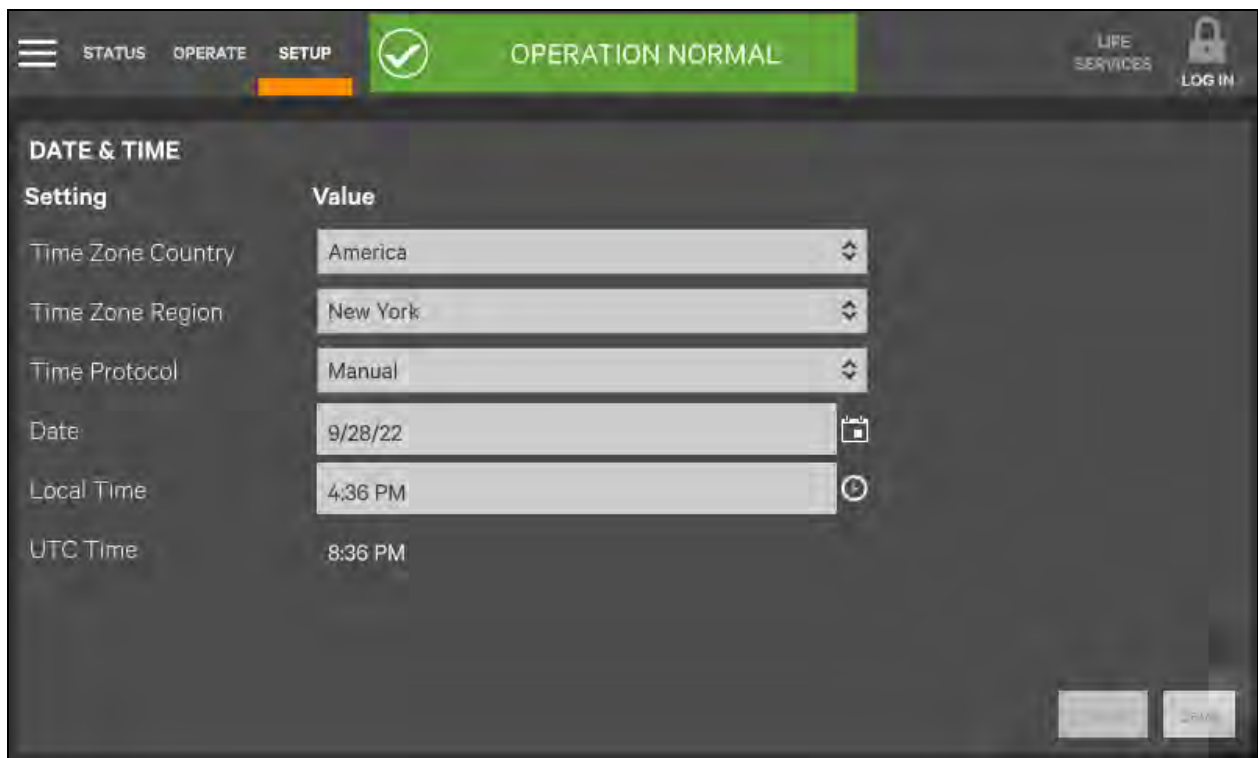
1. Click on the  icon.
2. Click on the  icon.
3. Click the item of Display.
4. Click 'Date & Time'.
5. Refer to **Figure 6.12** below, set the actual date and time.

Figure 6.12 Setting date and time



6.11 Control Password

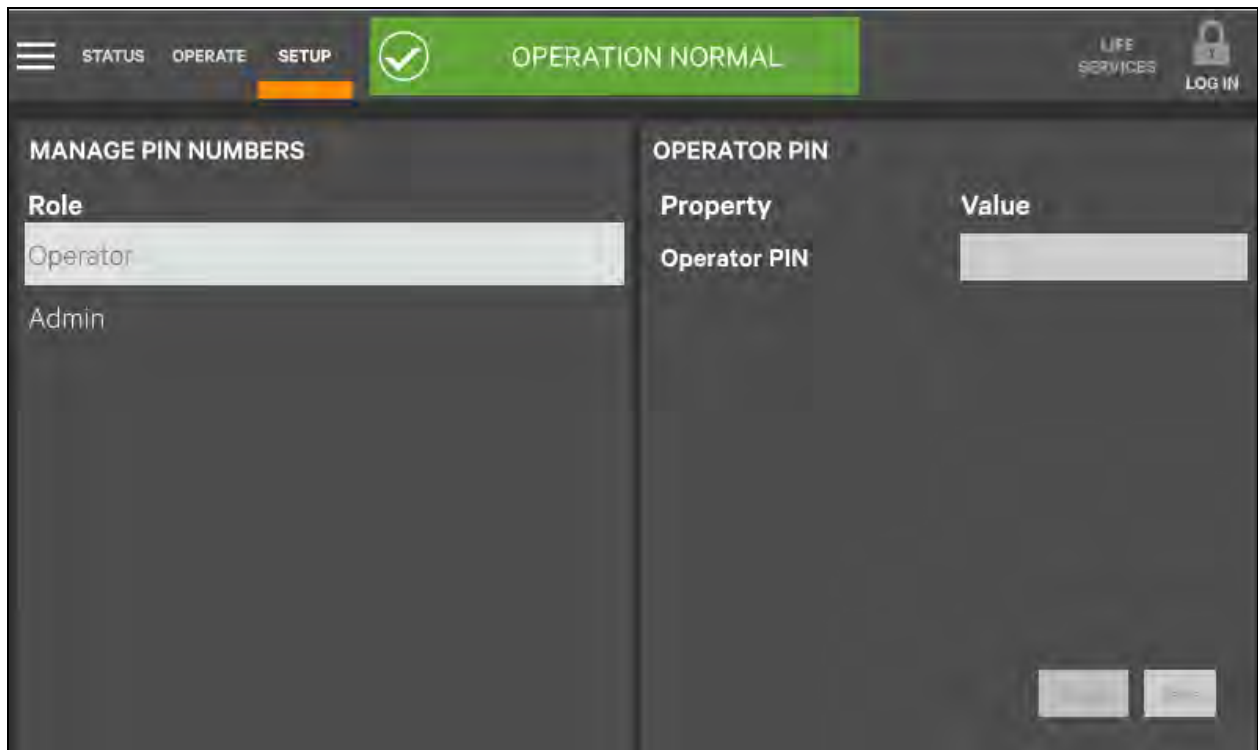
To change password, carry out the following procedures:

1. Enter SETUP level.

2. Click on the  icon.

3. Refer to **Figure 6.13** below, set password changing.

Figure 6.13 Setting password



This page intentionally left blank

7 Battery

This chapter introduces the battery, including the battery safety, installation and maintenance information, battery protection function, as well as the connection of BCB cabinet (option), battery temperature sensor (option), and battery ground fault detector.

7.1 Introduction

The UPS battery string is composed of several batteries in series connection and provides rated DC input voltage for the UPS inverter. The required battery backup time (i.e. the time for battery to supply load upon mains failure) is subject to the ampere-hour value of the battery. Sometimes, it is necessary to connect several strings of battery in parallel.

To facilitate the UPS installation, the battery is installed on the specially designed battery rack or in the battery room.




During the maintenance or repair, the battery must be disconnected from the UPS. This operation should be conducted by the battery circuit breaker of proper capacity. This circuit breaker will be located as close as possible to the battery connecting terminal, and the wiring distance of the power and signal cables connected to the UPS shall be minimized.

When several strings of battery are paralleled to increase the battery backup time, disconnecting device will be equipped, so that the maintenance operation on a certain battery string will not affect the normal operation of other battery strings.

7.2 Safety

Take special care when working with the batteries associated with the UPS. When all the blocks are connected, the battery string voltage can be up to 540 Vdc. This is potentially lethal. Please follow the precautions for high voltage operation. Only qualified personnel are allowed to install and maintain the battery. To ensure safety, the external batteries are to be installed inside a lockable cabinet or in a purpose-designed, dedicated battery room, so that they are only accessible to qualified service personnel.

Confirm that the battery switch has been disconnected before battery maintenance.

Hazardous battery voltage present behind covers		
<ol style="list-style-type: none"> No user-serviceable parts are located behind covers that require a tool for their removal. Only qualified service personnel are authorized to remove such covers. Before working on the copper bars connected to the external battery, please ensure they are disconnected from all power supplies. 		
Proper connection mode		Improper connection mode
Tighten the terminal bolt of the battery with specified torque		Too large or too small torque may cause poor connection of the terminal. Under certain conditions, the terminal may have electric arcing or heat accumulation, which finally will cause fire.
		

Hazardous battery voltage present behind covers

3. Observe the following safety precautions when working on the batteries:
 - a. The battery shall be firmly and reliably connected. After the connection is completed, the screw connections between all the terminals and the batteries shall be calibrated. The requirements on torque specified in the specifications or user manual provided by the battery manufacturer shall be satisfied. The connections between all the wiring terminals and the batteries shall be inspected and tightened at least once a year. Otherwise it may cause fire!
 - b. The battery appearance must be inspected before accepting and using the battery. If there exists any package damage, dirty battery terminal, terminal erosion, rust, or enclosure crack, deformation or liquid leakage, replace it with a new battery. Otherwise, battery capacity reduction, electric leakage or fire may be caused.

Battery damaged during handling or transportation**After a week of normal charge/discharge experiment**

- c. The battery is very heavy. Please use proper method to move and lift the battery, so as to prevent any damage to human being or the battery terminal. Severe damage to the battery may cause fire.
- d. The battery connecting terminal shall not be subject to any force, such as the pulling force or twisting force of the cable, otherwise, the internal connection of the battery may be damaged. Severe damage to the battery may cause fire.
- e. The battery shall be installed and stored in a clean, cool and dry environment. Do not install the battery in a sealed battery chamber or a sealed room. The battery room ventilation shall at least meet the requirement of EN50272-2001. Otherwise, battery bulging, fire or even human injury may be caused.
- f. The battery shall be installed far away from the heating products (e.g. transformer), used or stored far away from any fire source, and shall not be burnt or put into fire for heating. Otherwise, battery leakage, bulging, fire or explosion may be caused.
- g. Do not directly connect any conductor between the positive and negative terminals of the battery. Remove the finger rings, watch, necklace, bracelet and other metal items before operating the battery, and ensure that the tools (e.g., wrench) are covered with insulating material. Otherwise, battery burning, human death/injury or explosion may be caused.
- h. Do not disassemble, modify or demolish the battery. Otherwise, battery short circuit, liquid leakage or even human injury may be caused.
- i. Clean the battery enclosure with the wrung wet cloth. To avoid any static or arcing, do not use dry cloth or duster to clean the battery. Do not use the organic solvent (such as thinner, gasoline, volatile oil) to clean the battery. Otherwise, the battery enclosure may be cracked. In worst case, fire may be caused.
- j. The battery has diluted sulfuric acid. In normal use, the diluted sulfuric acid will be absorbed to the baffle and polar plate of the battery. However, if the battery is damaged, the acid may leak from the battery. Therefore, personal protective equipment (e.g., protective glasses, rubber gloves and apron) must be used when operating the battery. Otherwise, if the diluted sulfuric acid enters the eyes, blindness may be caused; if it contacts the skin, the skin may be burnt.
- k. The battery may have short circuit, electrolyte dry-up or positive pole erosion failure at the end of its life. If it is still used under this state, the battery may have thermorunaway, bulging or liquid leakage. Please replace the battery before it comes to this state.
- l. Before connecting or disconnecting the battery connection cables, please isolate the charging power.
- m. Check if the battery has been unexpectedly earthed. In this case, remove the earth connection. Contact with any part of the earthed battery may result in an electric shock.

7.3 UPS Battery

The UPS adopts valve-regulated battery. At present, 'valve-regulated' means the 'sealed type' or 'maintenance free' mentioned in the past.

The valve-regulated battery is not completely sealed, especially when it is over-charged, there will be gas escape. The volume of the gas escape in the valve-regulated battery is less than flooded battery (water injection battery). However, during the installation design of the battery, temperature rise shall be taken into account, and enough room shall be reserved to ensure good ventilation.

Besides, the valve-regulated battery is not maintenance free. The valve-regulated battery must be kept clean, and it shall be inspected regularly to check if the connection is reliable, and if it is corroded. For details, please refer to Battery Maintenance.

It is recommended to connect no more than 4 strings of batteries in parallel. Batteries of different types, names, or newness shall not be used together. Otherwise, the battery inconsistency will cause frequent over-discharge or under-charge of certain battery. At last, the battery will have premature failure, and the entire string of battery will have insufficient backup time.

The battery must be stored in a fully charged state. The battery will lose certain capacity because of self discharge during the transportation or storage. Charge the battery before use. During the storage, ensure that the ambient temperature shall not exceed the range of -15 °C to +45 °C, and the optimal temperature is 20 °C to 25 °C. To compensate for the self discharge of the battery during the storage, the battery shall be charged every 3 months during the storage. The specific time may differ for different batteries. For details, refer to the requirement of the battery manufacturer.

It is very important to fully charge the battery before carrying out onsite test on the battery backup time. The test may take several days. Therefore, it should be conducted after the battery has been subject to uninterrupted float charging for at least one week.

When the battery has been running for several weeks or subject to two to three charge and discharge cycles, the battery performance will be increased.

To avoid the battery over-charge or under-charge, please set the battery management parameters according to the equalizing/float charge voltage and temperature compensation factor specified in the manuals provided by the battery manufacturer. Please charge the battery immediately after discharge.

7.4 Precautions for Installation Design

NOTE: Precautions for installation, use, and maintenance of the battery are described in the relevant battery manual provided by the battery manufacturer. The safety precautions described in this section include the important matters that must be considered during the installation design. The design results may be changed according to the local situations.

7.5 Battery Installation Environment and Number of Batteries

7.5.1 Installation Environment

Fresh air volume (EN50272-2001)

The operating environment of the battery must be ventilated. During the operation of the battery, the following requirement for the fresh air ventilation shall be satisfied:

$$Q=0.05 \times n \times I_{gas} \times C_{rt} \times 10^{-3}[m^3/h]$$

Where:

Q- The fresh air ventilation volume per hour, the unit is m³/h

n- Number of cells

I_{gas}- The current producing gas under battery float charging or boost charge conditions, the unit is mA/Ah

I_{gas}=1, under the float charging condition of 2.27 V/cell

I_{gas}=8, under the boost charge condition of 2.35 V/cell

C_{rt}- 20 hr battery rated capacity

Temperature

Table 7.1 Range of ambient temperature

Type	Temperature value	Remark
Recommended optimal temperature	20 °C to 25 °C	The ambient temperature for the battery operation shall not be too high or too low. If the average operating temperature of the battery rises from 25 °C to 35 °C, the service life of the battery will be reduced by 50%. If the operating temperature of the battery is over 40 °C, the service life of the battery will be reduced exponentially each day.
Short time allowable temperature	-15 °C to 45 °C	

The higher the temperature is, the shorter the battery service life will be. At low temperature, the charge/discharge performance of the battery will be significantly reduced.

The battery must be installed in cool and dry environment with the humidity of less than 90%, and be protected from the heat source and direct sunshine.

The ambient temperature, ventilation, space, float/boost charge voltage, and ripple current will affect the battery temperature. Uneven temperature among the battery strings will cause uneven voltage distribution and thus result in problem. Therefore, it is very important to maintain balanced temperature in the battery string, and the temperature difference between batteries of different layers shall be kept within 3 °C. Valve-regulated battery is very sensitive to the temperature, therefore the valve-regulated battery shall be used in 15 °C to 25 °C. If the battery cabinet is installed near the UPS, the maximum design ambient temperature shall be determined according to the battery rather than the UPS. That is, if valve-regulated battery is used, the indoor ambient temperature shall be 15 °C to 25 °C rather than the operating temperature range of the main equipment. Under the precondition that the average temperature will not exceed 25 °C, it is allowed to have short time temperature deviation.

7.5.2 Number of Batteries

The number of batteries, EOD voltage, and float charging voltage under the 380 V/400 V/415 V voltage system are consistent, as shown in **Table 7.2** below.

Table 7.2 Number of batteries

Parameter	380 V/400 V/415 V
Number of cells (standard)	168 to 264 (For derating factors refer to Electrical Characteristics (Intermediate DC Circuit))
EOD voltage	1.60 Vdc/Cell to 1.90 Vdc/Cell, 1.67 V/cell recommended
Float charging voltage	2.2 Vdc/Cell to 2.3 Vdc/Cell, 2.27 V/cell recommended

7.6 Battery Protection

IMPORTANT! Users must choose appropriate switching devices to protect the battery from short circuit and overload, etc. We recommend using the Vertiv BCB to provide a more perfect solution.

The battery is connected to the UPS through the BCB. The BCB is manually closed and has an electronic tripping device controlled by the UPS control circuit. If the battery adopts rack mounting (or is far away from the UPS cabinet), the BCB will be installed close to the battery, and the wiring distance of the power and signal cables connected to the UPS shall be minimized.

The BCB has the following features:

- Isolation
- Short circuit protection
- In case the inverter is locked by battery under-voltage the switch automatically disconnects to avoid the damage of battery over-discharge
- If equipped with a remote EPO button, can use the EPO button to remotely disconnect the BCB
- Protection of mis-operation

To obtain the required backup time, the batteries may be connected in parallel. In this case, each battery string must be connected to a separate BCB.

NOTE: Only trained personnel shall operate and maintain the battery circuit breaker.

7.7 Battery Installation and Connection



WARNING! Only qualified engineer shall install and connect the batteries. The battery has hazardous high voltage, and requires reliable insulated tools for safety protection.

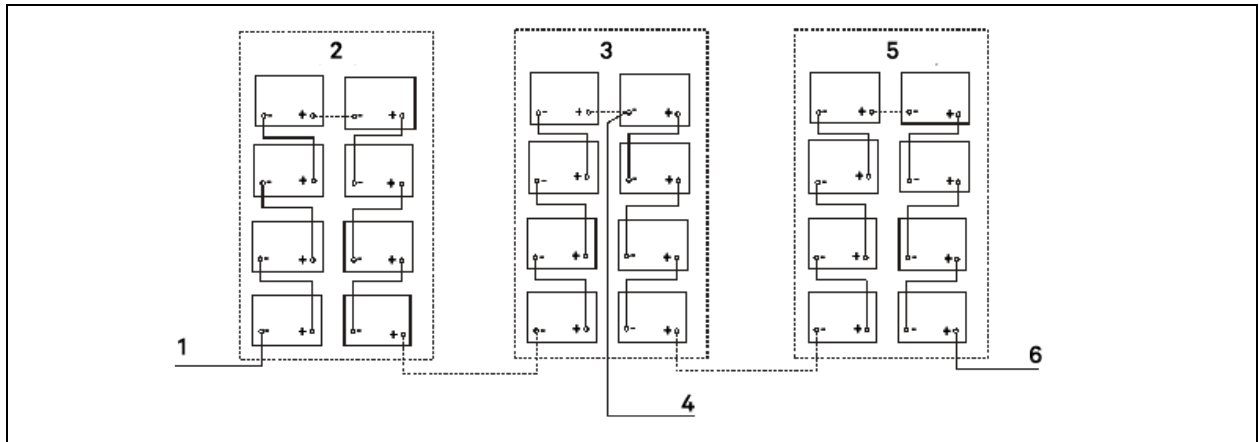
7.7.1 Battery Installation

1. Before installation, check the battery appearance to ensure that there is no damage, inspect and count the accessories, and carefully read this manual and the user manual or installation instruction provided by the battery manufacturer.
2. There shall be at least 10 mm gap between the batteries in vertical direction, to ensure the free circulation of the ambient air of the batteries.
3. Certain clearance shall be maintained between the battery top and the upper layer to facilitate the monitoring and maintenance of the battery.
4. The batteries shall be installed from the bottom layer to top layer, so as to avoid a too high gravity center. The battery shall be properly installed and protected from vibration or shock.

7.7.2 Battery Connection

1. All the battery cabinets or battery racks must be connected and properly grounded.
2. When multiple batteries are used, they shall be connected in series and then in parallel. Before loading and power-up, it must be detected that the total voltage of the batteries is as specified. The negative and positive poles of the batteries must be connected to the negative and positive battery terminals of the UPS according to the labels on the battery and UPS. If the battery is reversely connected, explosion and fire may be caused, it may result in battery and UPS damage or even human injury.
3. When the battery cable connection is finished, install insulating shield for the terminals.
4. When connecting the cable between the battery terminal and the BCB, the BCB terminal shall be connected first.
5. The bending radius of the cable shall be larger than 10D, wherein D is the outer diameter of the cable.
6. When the battery cable is connected, it is prohibited to pull the battery cable or the cable terminal.
7. Do not cross the battery cables during the connection, and do not tie the battery cables together.
8. See **Figure 7.1** on the facing page for battery connection.

Figure 7.1 Connection of batteries

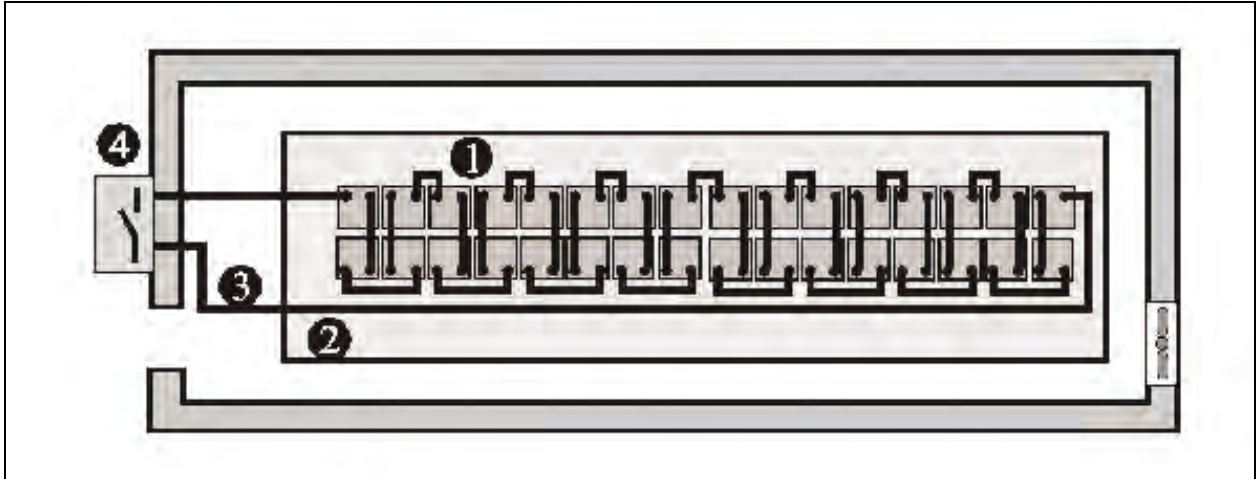


No.	Description
1	BCB-
2	Top layer
3	Middle layer
4	BCB N
5	Bottom layer
6	BCB+

7.8 Design of Battery Room

No matter which type of installation system is adopted, the following items shall be paid special attention to (refer to **Figure 7.2** below).

Figure 7.2 Design of battery room



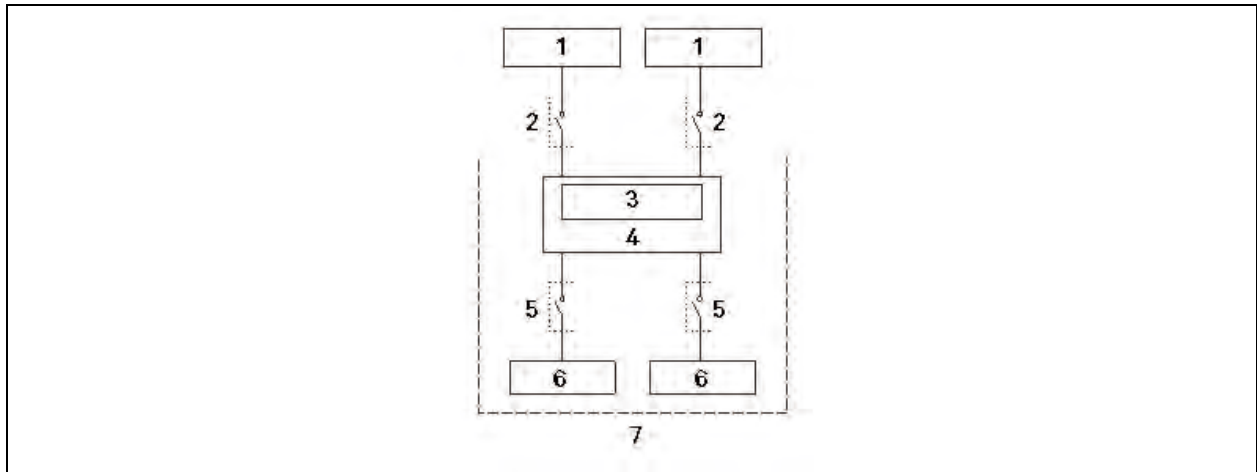
No.	Description
1	Layout of cells No matter which battery installation system is used, the battery shall be located in a matter that it will not contact two naked live parts with the potential difference over 150 V at the same time. If it is unavoidable, insulated terminal shield and insulated cable shall be used for the connection.
2	Workbench The workbench (or pedal) must be skid-proof and insulated, and at least 1 m wide.
3	Wiring All the wiring distances shall be minimized.
4	BCB The BCB is generally installed in the wall-mounted box near the battery.

7.9 Common Battery String

The UPS supports common battery string function, which indicates that each unit in the parallel system shares the same battery string to achieve the purpose of energy saving, space saving, and improving efficiency. The cables connection for common battery string is shown in **Figure 7.3** below. Note the following points when applying the common battery string:

1. All the units in parallel system share the same battery string, and do not intermix the common battery string with independent battery.
2. Each unit should use the common battery string.
3. Each UPS has its own BCB box.

Figure 7.3 Connection of common battery string



No.	Description
1	UPS
2	BCB
3	Bus
4	Junction box
5	Internal switch of the common battery system
6	Battery
7	Battery system

7.10 BCB Cabinet (Option 1)-Applicable for APAC Region

The UPS has three kinds of BCB matching cabinets, and the user can choose the cabinet you need according to actual requirement. The BCB cabinet can also electrically isolate the UPS from the battery to minimize the danger of the service personnel at work.

The BCB provides the following functions:

- Short circuit protection and EOD protection. The BCB opens automatically when the battery voltage drops to the EOD voltage point.
- Support the UPS EPO function. The BCB opens automatically when the EPO switch on the touchscreen of the UPS is pressed.

Three kinds of BCB cabinets:

Overall BCB cabinet

One 1600 A switch included for single battery string use or bus switch of several battery strings.

Divided BCB cabinet (three independent switches included)

Three 800 A switches included for three groups of battery string use, and each switch can independently control the connection of each battery string.

Divided BCB cabinet (four independent switches included)

Four 630 A switches included for the four groups of battery string use, and each switch can independently control the connection of each battery string.

Mechanical specifications of the BCB cabinet is provided in **Table 7.3** below.

Table 7.3 Parameters of BCB cabinet

Dimensions (H × W × D) (mm)	Weight (kg)	Recommended screw
2000 × 600 × 987	250	M16

The BCB cabinet should be installed as close as possible to the battery. It can be installed on a horizontal surface.

Besides the local regulations, to enable routine operation of switches in the BCB cabinet within the BCB cabinet, it is recommended that clearance around the front of the UPS should be larger than 1200 mm and enough to enable free passage of personnel with the door fully open. Meanwhile, maintain a clearance of at least 500 mm at the back of the cabinet to permit adequate circulation of air coming out of the UPS.

To install and connect the BCB cabinet refer to **Figure 7.4** on the facing page to **Figure 7.8** on page 140. There are connection terminals in the BCB cabinet for connecting the power cables from the UPS and battery. Before powering on the UPS, lead out the internal signal cables from the BCB cabinet to connect the left port of J22 on the bypass control module.

NOTE: The BCB cabinet can use top and bottom cable entry. It provides two big and one small cable entry holes on both the top plate and bottom plate. The big ones are for power cable entry, and the small one is for signal cable entry. After connection, take appropriate measures to seal the cable entry holes.

NOTE: The signal cable W812 must run separate from the battery power cables. W812 is a shield cable, both ends of its shield layer must be connected to the enclosure. The UPS and BCB cabinet must be earthed separately.

NOTE: Make sure that the UPS rectifier has started before closing the BCB.

NOTE: Mark the battery string when configuring the divided BCB cabinet, and note that the marked number must correspond to the battery terminals in the BCB cabinet when connecting the power cables.

Figure 7.4 Front dimension of BCB cabinet (unit: mm)

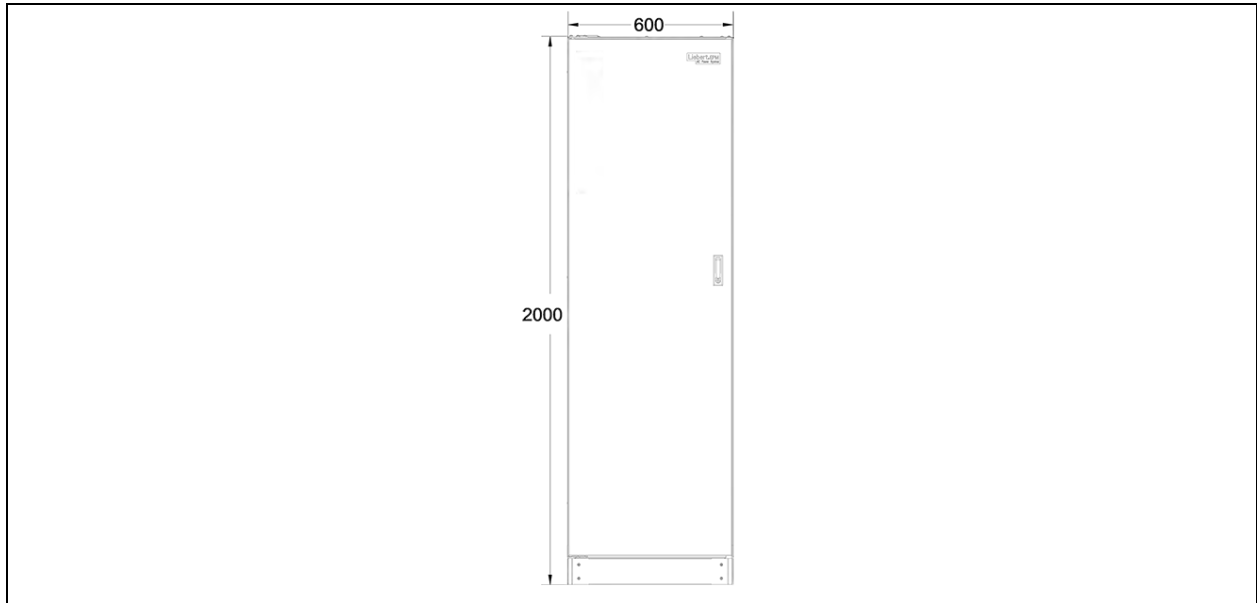


Figure 7.5 Dimensions of BCB cabinet

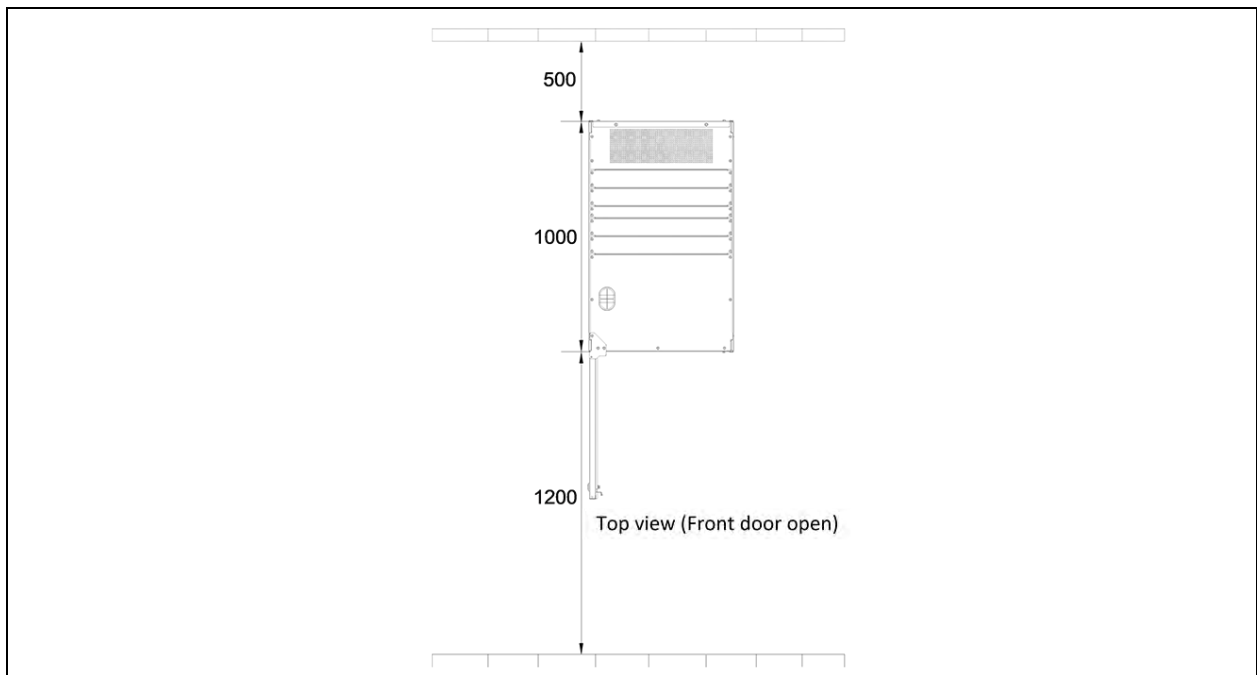
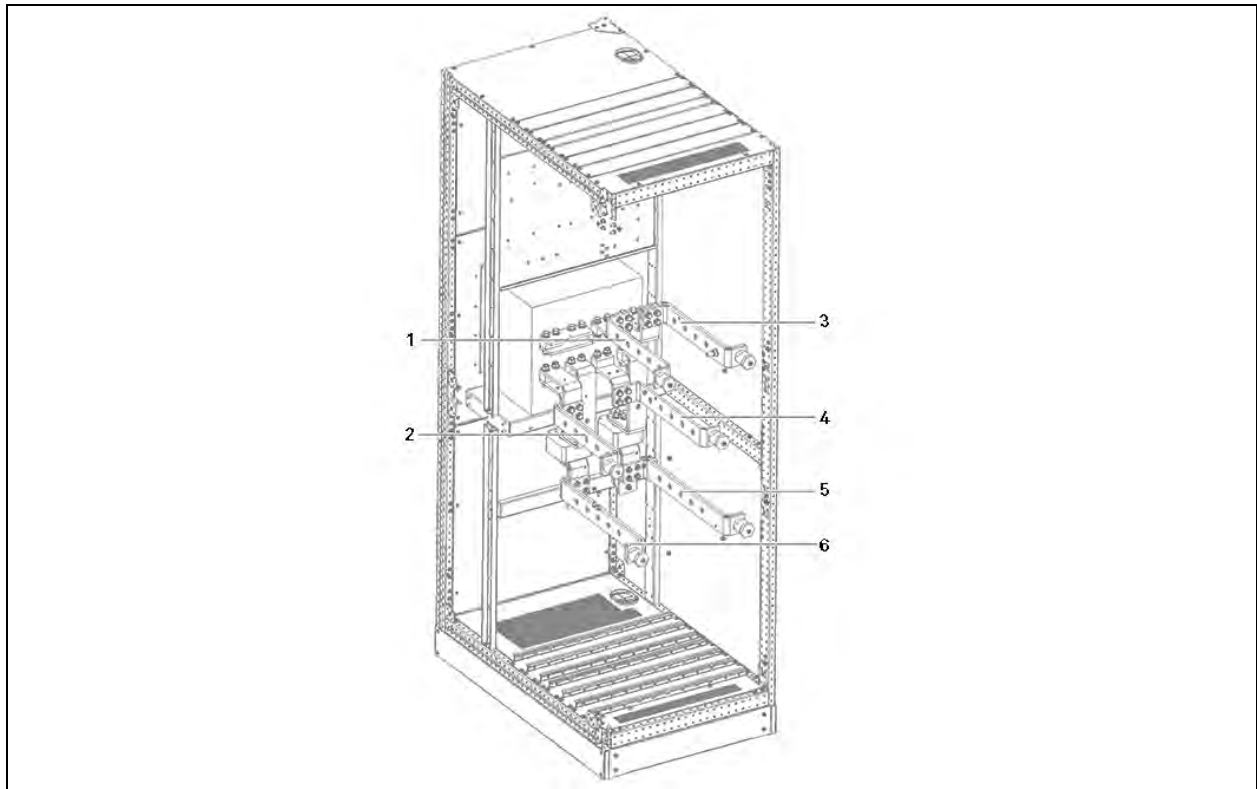
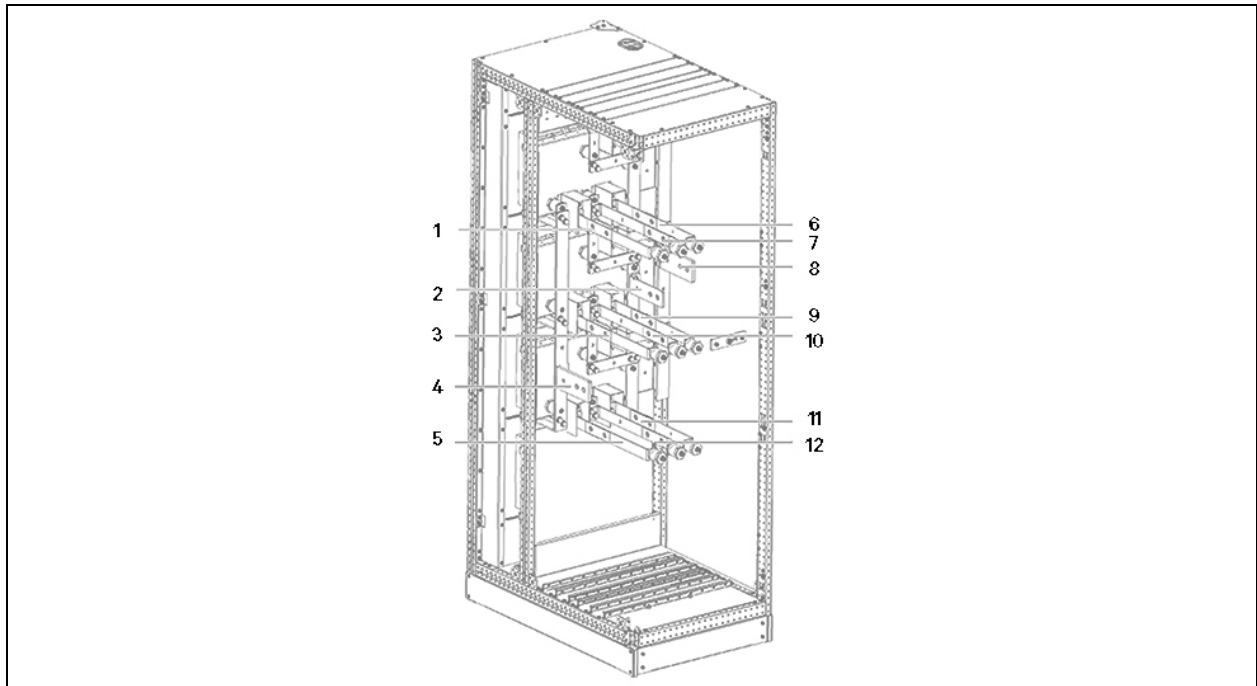


Figure 7.6 Connection diagram of overall BCB cabinet



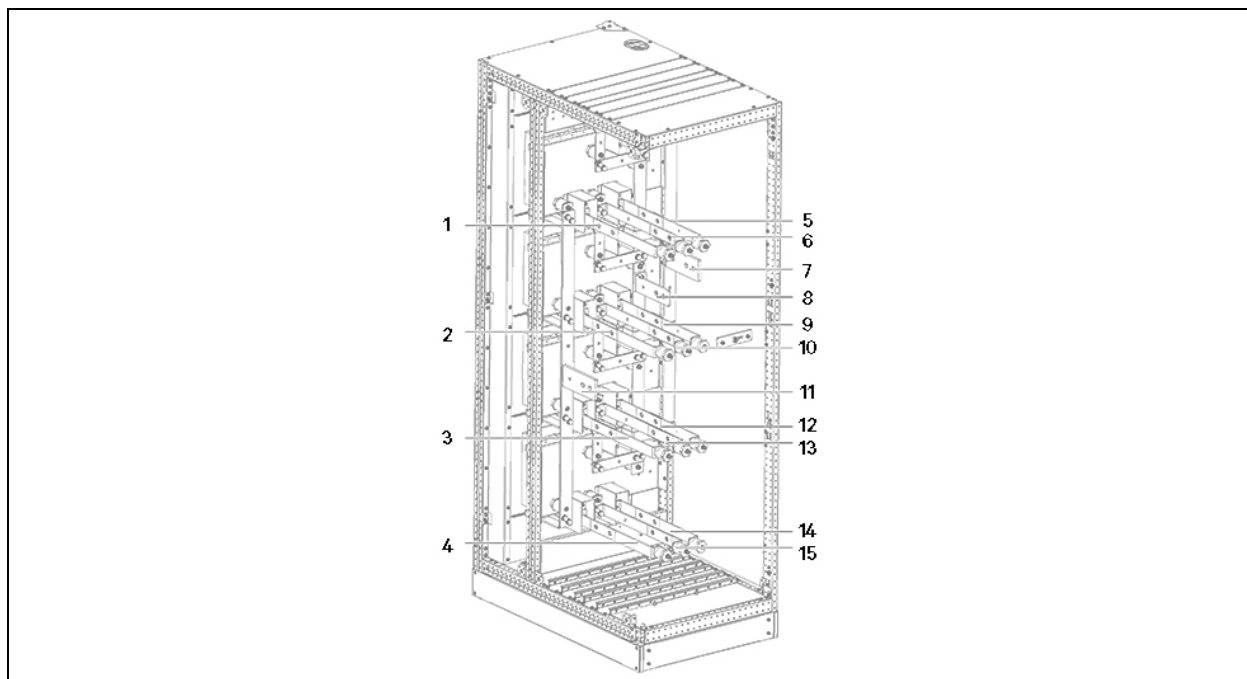
No.	Description
1	UPS terminal (N)
2	UPS terminal (+)
3	UPS terminal (-)
4	Battery terminal (N)
5	Battery terminal (-)
6	Battery terminal (+)

Figure 7.7 Connection diagram of three groups of divided BCB cabinet



No.	Description
1	Battery string 1 terminal (-)
2	UPS terminal (N)
3	Battery string 2 terminal (-)
4	UPS terminal (-)
5	Battery string 3 terminal (-)
6	Battery string 1 terminal (+)
7	Battery string 1 terminal (N)
8	UPS terminal (+)
9	Battery string 2 terminal (+)
10	Battery string 2 terminal (N)
11	Battery string 3 terminal (+)
12	Battery string 3 terminal (N)

Figure 7.8 Connection diagram of four groups of divided BCB cabinet



No.	Description
1	Battery string 1 terminal (-)
2	Battery string 2 terminal (-)
3	Battery string 3 terminal (-)
4	Battery string 4 terminal (-)
5	Battery string 1 terminal (+)
6	Battery string 1 terminal (N)
7	UPS terminal (+)
8	UPS terminal (N)
9	Battery string 2 terminal (+)
10	Battery string 2 terminal (N)
11	UPS terminal (-)
12	Battery string 3 terminal (+)
13	Battery string 3 terminal (N)
14	Battery string 4 terminal (+)
15	Battery string 4 terminal (N)

7.11 BCB Cabinet (Option 2)-Applicable for APAC Region

The BCB box can electrically isolate the UPS from the battery to minimize the danger of the service personnel at work.

The BCB provides the following functions:

- Short circuit protection and EOD protection. The BCB opens automatically when the battery voltage drops to the EOD voltage point.
- Support the UPS EPO function. The BCB opens automatically when the EPO switch on the touch screen of the UPS is pressed.

Table 7.4 below provides the mechanical specifications of the BCB box.

Table 7.4 Parameters of BCB box

Dimensions (H × W × D) (mm)	Weight (kg)	Recommended screw
650 × 1000 × 285	64	M8

The BCB box should be installed as close as possible to the battery. It can be installed on a wall or a horizontal surface through the installation holes shown in **Figure 7.9** on the next page.

Refer to **Figure 7.9** on the next page ~ **Figure 7.11** on page 144 to install and connect the BCB box. There are connection terminals in the BCB box for connecting the power cables from the UPS and battery. For signal cable connection, connect the accessory cable W812 shown in **Figure 7.11** on page 144.

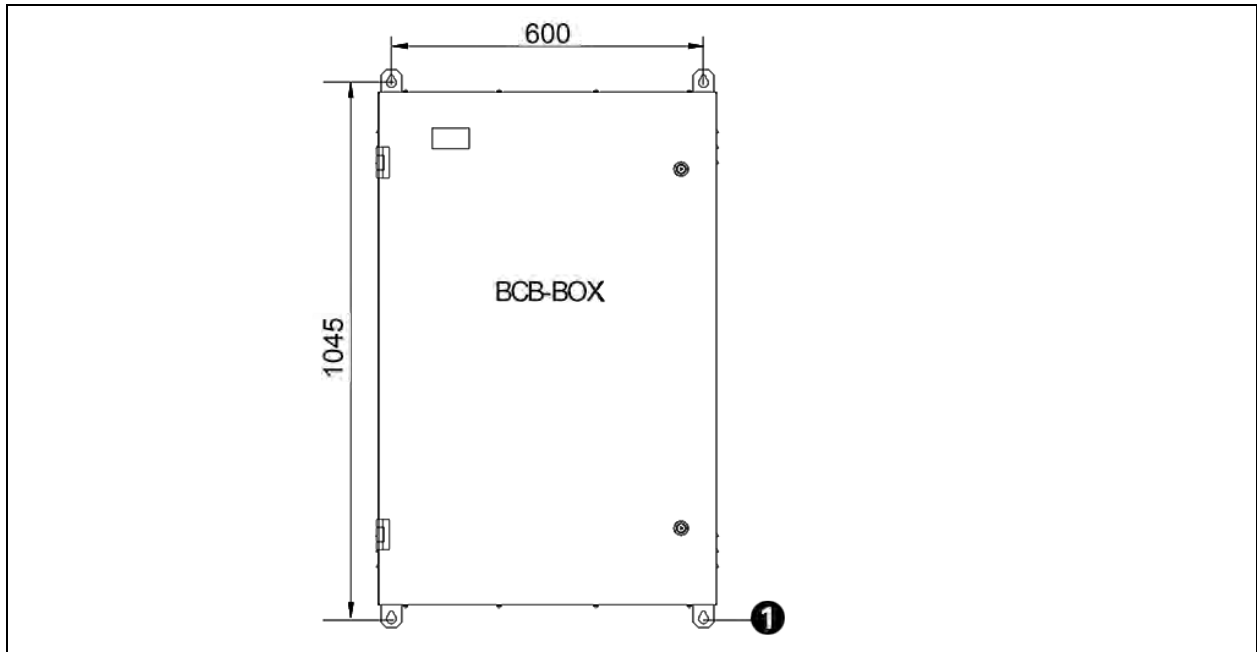
NOTE: The BCB cabinet can use top and bottom cable entry. It provides two big and one small cable entry holes on both the top plate and bottom plate. The big ones are for power cable entry, and the small one is for signal cable entry. After connection, take appropriate measures to seal the cable entry holes.

NOTE: The signal cable W812 must run separate from the battery power cables. W812 is a shield cable, both ends of its shield layer must be connected to the enclosure. The UPS and BCB cabinet must be earthed separately.

NOTE: Make sure that the UPS rectifier has started before closing the BCB.

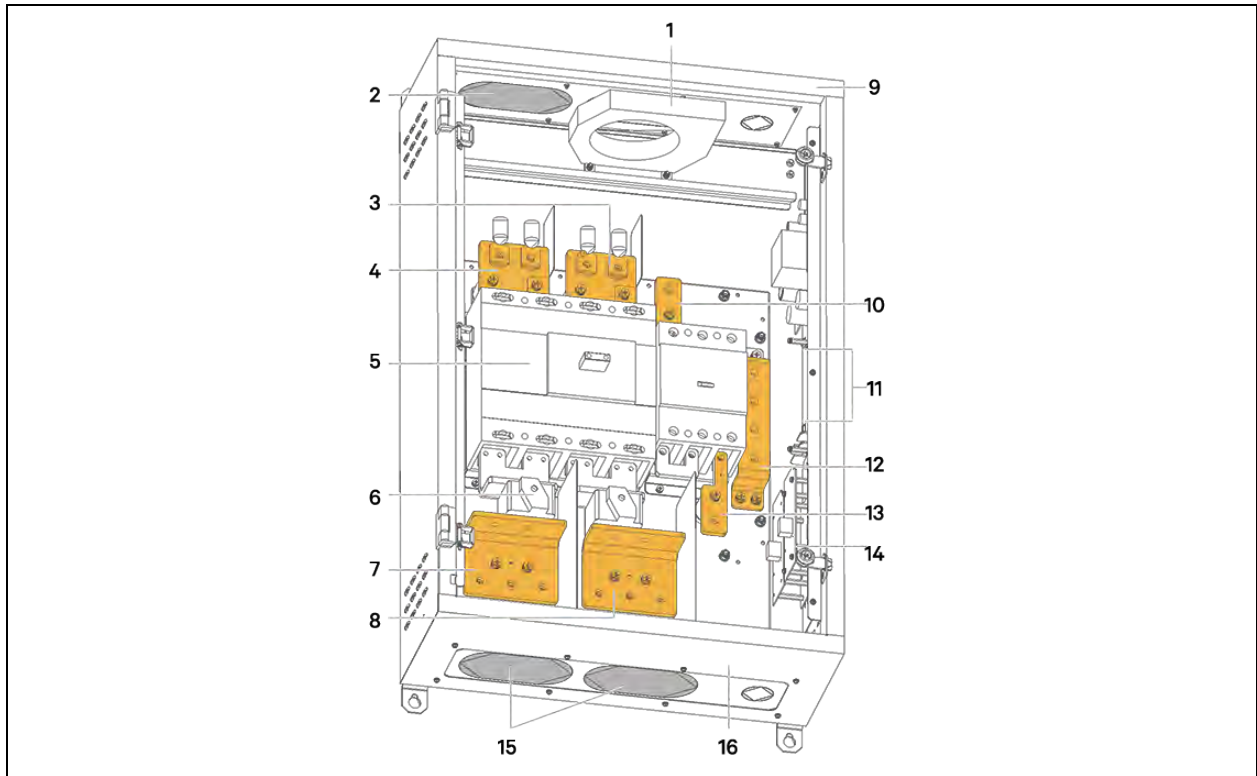
NOTE: When there are two and more BCB boxes are in parallel, please note the connection cables are of the same length so as to make a good load sharing between the BCB boxes and then avoid the malfunction. Note that the number of BCB boxes in parallel should not be more than four.

Figure 7.9 Installation hole dimension of BCB box (unit: mm)



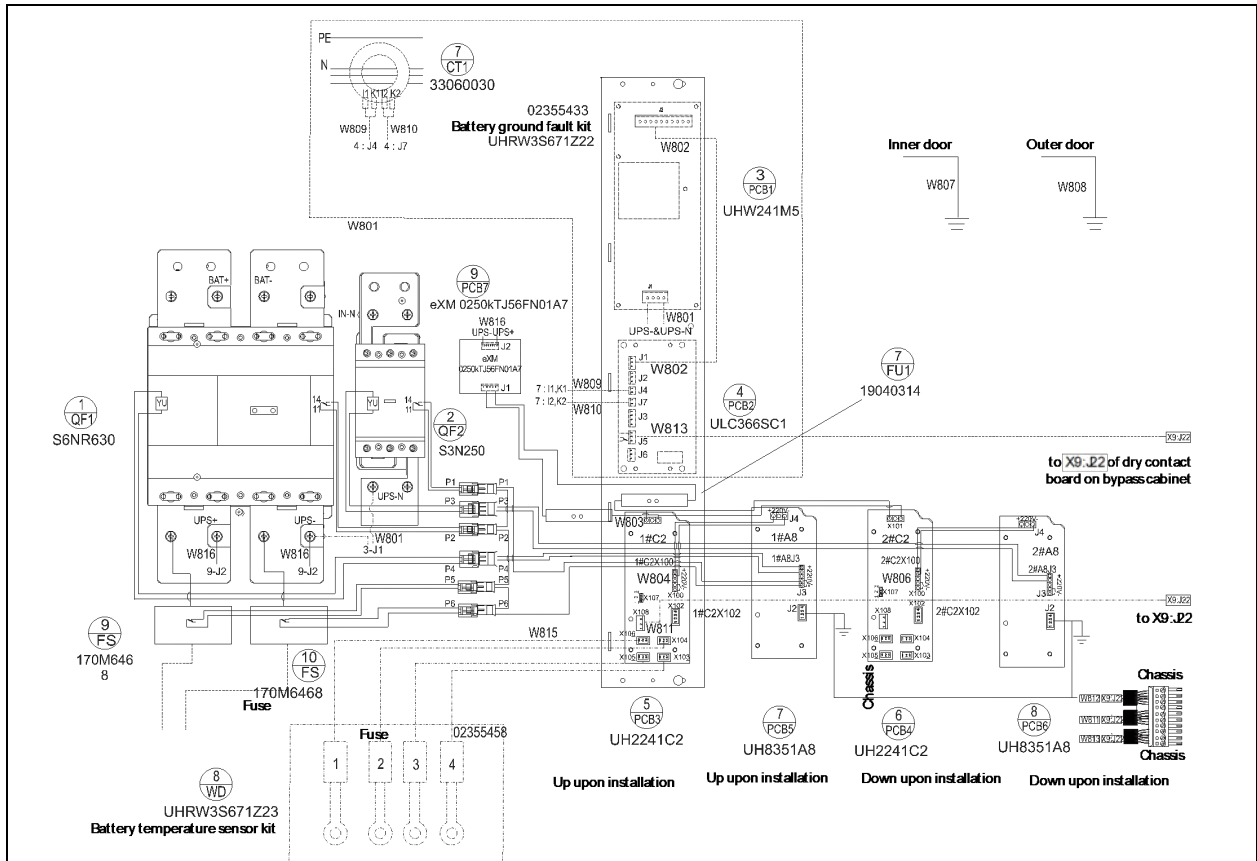
No.	Description
1	Installation Hole

Figure 7.10 Internal structure of BCB box



No.	Description
1	Current transformer of battery ground fault detector
2	Top cable entry hole
3	Battery terminal (-)
4	Battery terminal (+)
5	BCB
6	Battery fuse
7	UPS terminal (+)
8	UPS terminal (-)
9	Top plate
10	Battery terminal (N)
11	Control board of battery ground fault detector
12	Earth bar
13	UPS terminal (N)
14	BCB control board
15	Bottom cable entry hole
16	Bottom plate

Figure 7.11 Connection diagram of BCB box



NOTE: Current leakage protective device is optional. The +, N, and - of the battery cable should be routed through the sensors, but the PE cable should not be routed through the sensor.

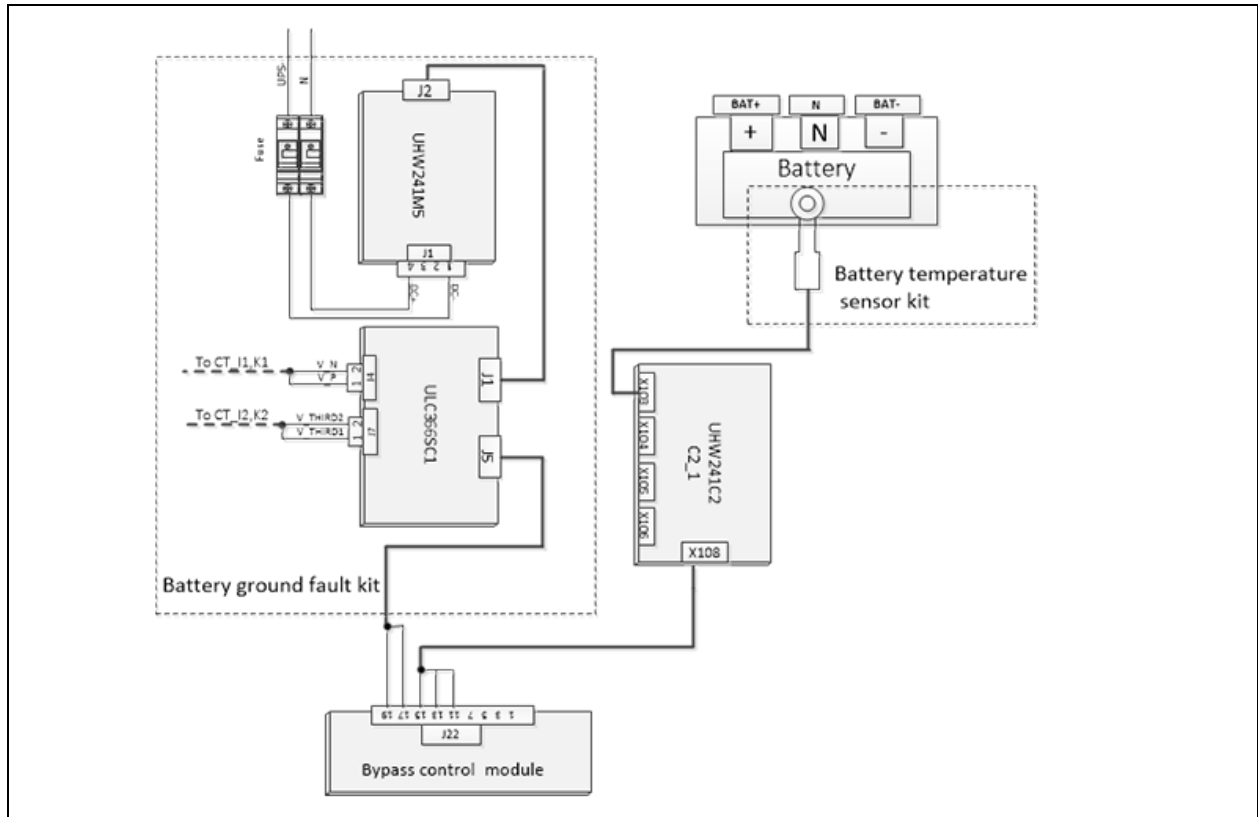
NOTE: Temperature sensor is optional from 0 to 4. If you select one sensor, then connect X106 on C2 board; if two sensors, then connect X106 and X104, and by such analogy.

NOTE: Battery ground fault kit includes the mutual inductor 33060030, auxiliary power board UHW241M5, battery current leakage detection board ULC366SC1, and ground fault set cable 04117867.

7.12 Battery Temperature Sensor (Optional)

Vertiv provides an optional battery temperature sensor which can measure the temperature about four positions. When using multiple battery temperature sensors, the monitor selects the highest temperature detected among them for display. The battery temperature measuring probe should be transferred by the measured points box and be connected to the X103 to X106 ports on UHW241C2 board in the battery switch cabinet, and the X108 should be connected to PIN number of J2 of the UPS bypass control module. Follow **Figure 7.12** below to route the cables.

Figure 7.12 Connection diagram of internal options of overall BCB switch cabinet

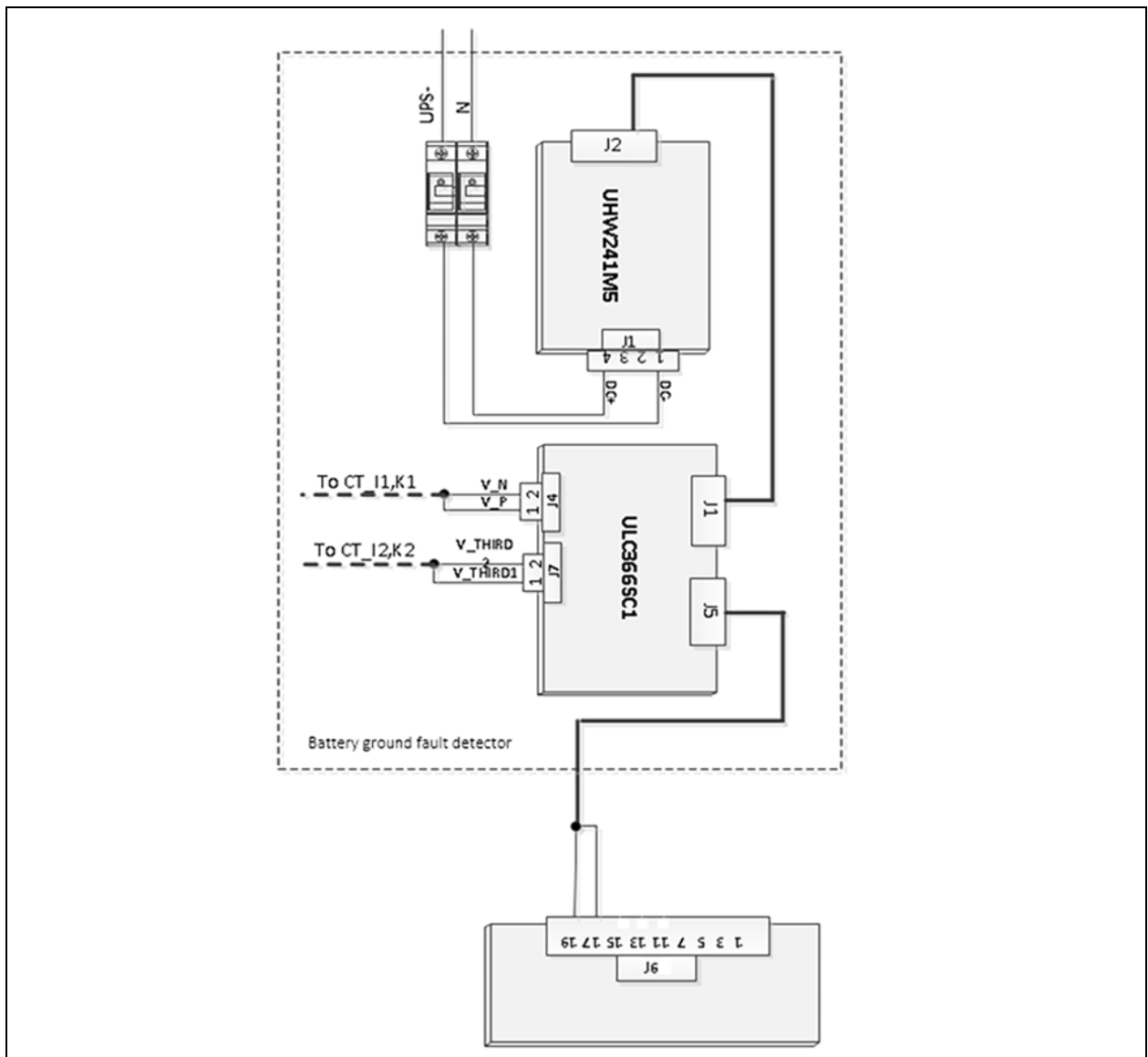


7.13 Battery Ground Fault Detector (Optional)- Applicable for APAC Region

Vertiv provides an optional battery ground fault detector. It includes a mutual inductor and a PCB, which should be installed in the BCB cabinet. If the BCB cabinet uses top cable entry, the mutual inductor should be installed on the inside of the top plate of the BCB cabinet; if the BCB cabinet uses bottom cable entry, the mutual inductor should be installed on the inside of the bottom plate of the BCB cabinet. Connect the PCB as shown in **Figure 7.13** below (Contents inside the dashed box are options).

NOTE: If a battery ground fault detector is installed the positive, negative, and neutral battery cables from the battery into the BCB cabinet must be routed through the hole of the mutual inductor of the battery ground fault detector, while other cables must bypass the mutual inductor for connection.

Figure 7.13 Connection of battery ground fault detector



7.14 BCB Reference Current and Connection

Table 7.5 below provides recommended BCB rated current and battery maximum discharge current at full load. Refer to Table 3B in IEC60950-1, and select appropriate cable CSA according to local electrical codes and standards.

Table 7.5 BCB rated current and battery max. discharge current at full load (recommended)

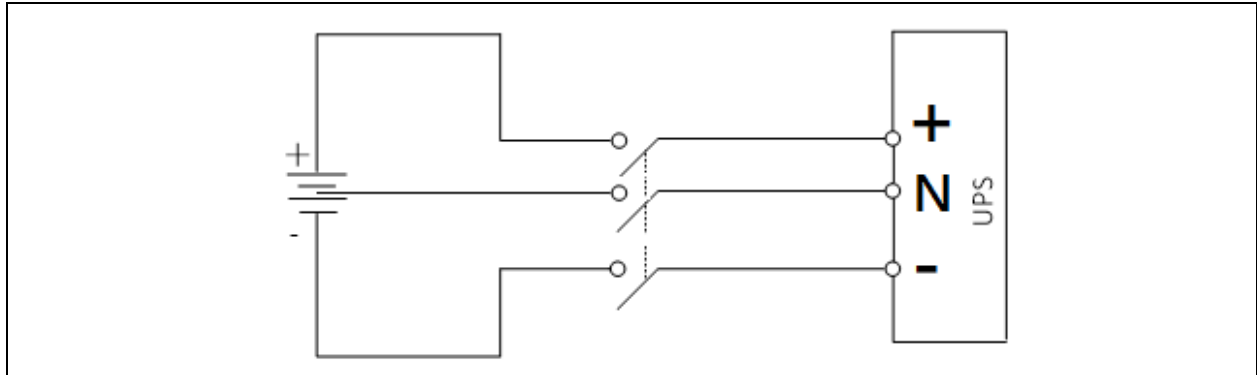
Items		Unit	UPS rated power (kVA)	
			400	500
28-block battery	Rated battery discharge current at full load	A	1353	1316
	Reference rated current of BCB	A	1600	1600
	CSA of connection cable	mm ²	2×240	3×185
30-block battery	Rated battery discharge current at full load	A	1315	1316
	Reference rated current of BCB	A	1600	1600
	CSA of connection cable	mm ²	2×240	3×185
32-block battery	Rated battery discharge current at full load	A	1315	1316
	Reference rated current of BCB	A	1600	1600
	CSA of connection cable	mm ²	2×240	3×185
34-block battery	Rated battery discharge current at full load	A	1238	1316
	Reference rated current of BCB	A	1600	1600
	CSA of connection cable	mm ²	2×240	3×185
36-block battery	Rated battery discharge current at full load	A	1170	1316
	Reference rated current of BCB	A	1600	1600
	CSA of connection cable	mm ²	2×240	3×185
38-block battery	Rated battery discharge current at full load	A	1108	1316
	Reference rated current of BCB	A	1600	1600
	CSA of connection cable	mm ²	2×240	3×185
40-block battery	Rated battery discharge current at full load	A	1052	1316
	Reference rated current of BCB	A	1600	1600
	CSA of connection cable	mm ²	2×240	3×185
42-block battery	Rated battery discharge current at full load	A	1003	1253
	Reference rated current of BCB	A	1600	1600
	CSA of connection cable	mm ²	2×240	3×185
44-block battery	Rated battery discharge current at full load	A	957	1196
	Reference rated current of BCB	A	1600	1600
	CSA of connection cable	mm ²	2×240	3×185

NOTE: Current calculation is according to the DC/AC efficiency of 0.95 and EOD voltage of 1.6 V/cell.

NOTE: It is recommend using a DC breaker, with DC rated voltage of the breaker no less than the total voltage at the battery end. Refer to **Figure 7.14** below for the connections between the battery, BCB, and UPS.

NOTE: Load deration is applicable when 30-38 no of batteries are configured.

Figure 7.14 Connections between battery, BCB and UPS (3-wire at battery side, battery consisting of 30 to 44-block)



7.15 Battery Maintenance

For the battery maintenance and maintenance precautions, refer to IEEE-Std-1188-2005 and the relevant manuals provided by the battery manufacturer.

NOTE: Periodically check the screws of the battery connection parts and confirm that they are firmly tightened. If there is any loosened screw, tighten it immediately.

NOTE: Ensure that all safety devices operate normally, and that the battery management parameters are set properly.

NOTE: Measure and record the air temperature inside the battery room.

NOTE: Check to ensure that the battery terminals have no damage or heat generating trace, and the battery enclosure and terminal shields are intact.

7.16 Disposal of Used Battery

If the battery has liquid leakage or is damaged, place the battery into the container that can withstand sulphuric acid and discard it according to the local regulations.

Used lead acid storage battery belongs to dangerous waste, and it is a key item for used battery pollution control. The storage, transportation, use, and disposal of the battery shall comply with the national and local laws and regulations on dangerous waste and used battery pollution prevention and other standards.

According to the relevant national regulations, the used lead acid storage battery must be recycled and shall not be disposed of with other methods. Random discard or any other improper disposal of the used lead acid storage battery may cause severe environment pollution and the relevant person will be investigated of corresponding legal responsibilities.

8 Parallel System and LBS System

This chapter gives details on the installation of the parallel system and LBS system.

8.1 General

The parallel system can comprise of up to four UPS units of the same power rating and connected in parallel without the need for a centralized mains static bypass. Instead the bypass static switches of each UPS share the load when the system transfers to the mains bypass supply.

From a 'power' viewpoint, each module is internally identical to the 'single module' configuration. A parallel system requires inter-module control signals to manage the load sharing, synchronizing and bypass switching. The control signals are connected through the parallel cables, which are multi-way ribbon cables connected between the units of the system to form a ring.

8.2 System Installation Procedures

The basic installation procedure of a parallel system is the same as that of single module system. This section only introduces the installation procedures specific to the parallel system. The installation of a parallel UPS should follow the installation procedure for a single UPS module with the additional requirements detailed in this section.

8.2.1 Preliminary Checks

Be sure that the options of the parallel cables are correct, and that the modules are of the same rating, model, and with the same software and hardware release.

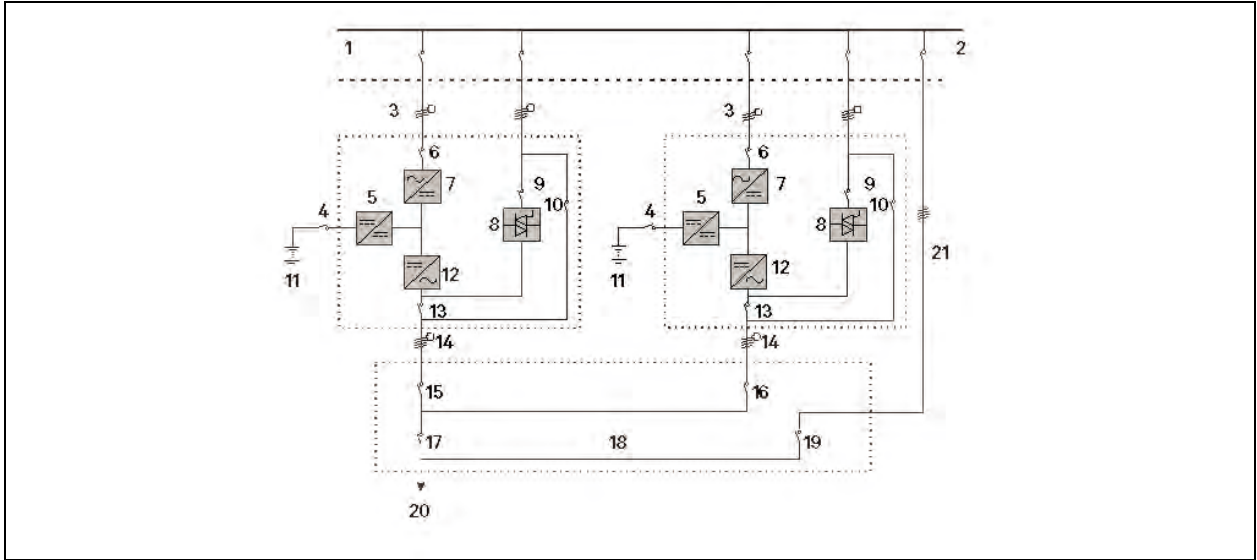


WARNING! To achieve coordinated operation of the modules in the parallel system, it is required to configure each module separately using Vertiv software setting. This must be done by Vertiv service personnel.

8.2.2 Cabinet Installation

Place the UPS modules side by side and interconnect as shown in **Figure 8.1** on the next page. The output distribution mode (Q1EXT, Q2EXT must be configured) shown in **Figure 8.1** on the next page is recommended to facilitate maintenance and system testing.

Figure 8.1 Schematic of typical parallel system (with common input, separate batteries and output)



No.	Description
1	Input power supply
2	External bypass switch
3	Mains input L1, L2, L3, N
4	BCB
5	Charger
6	Q1
7	Rectified
8	Static switch
9	Q2
10	Q3
11	Battery 1
12	Inverter
13	Q5
14	L1, L2, L3, N
15	Q1EXT
16	Q2EXT
17	QBP
18	Output distribution
19	QBP
20	To load
21	External maintenance bypass

NOTE: Q1, Q2, and Q5 are optional while Q3 is standard.

8.2.3 External Protective Device



WARNING! High earth leakage current: Earth connection is critical before connecting the input supply (including both mains supply and battery).



WARNING! The equipment must be earthed in accordance with the local electrical code of practice.

Refer to External Protective Device.

8.2.4 Power Cable

The power cable wiring is similar to that of the UPS module. Refer to Wiring of Power Cable.

The bypass and rectifier input supplies must use the same neutral line input terminal. If the input has a current leakage protective device, the current leakage protective device must be fitted upstream of the neutral line input terminal.

NOTE: The power cables (including the bypass input cables and UPS output cables) of each UPS module should be of the same length and specifications to facilitate load sharing.

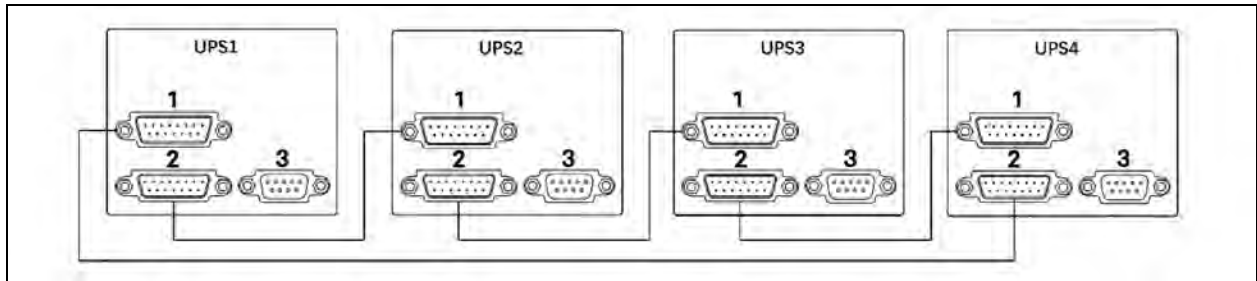
8.2.5 Parallel Cable

Shielded and double-insulated parallel cables available in lengths 5 m, 10 m and 15 m must be interconnected in a ring configuration between the UPS modules, as shown in **Figure 8.2** below. Method: Connect a module parallel cable from its PARA1 port to the PARA2 port of another module. Follow this method to connect other parallel cables.

The parallel port J3 is provided on the front panel of the bypass control module, as shown in **Figure 8.3** below.

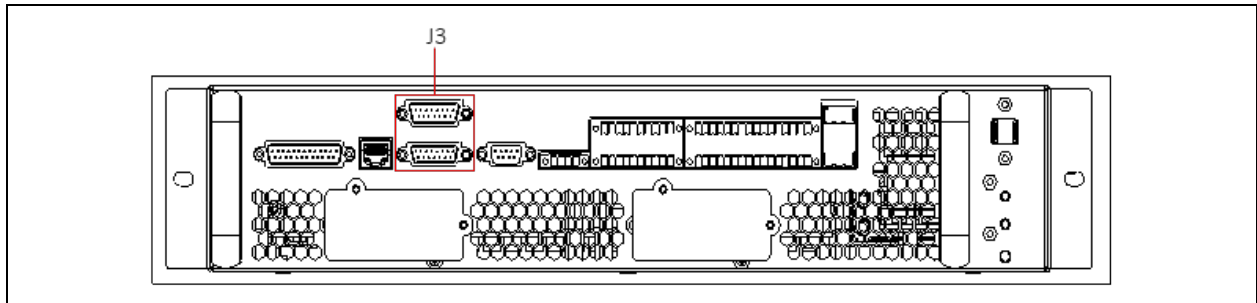
The ring connection ensures the reliability of the control of the parallel system. Be sure to verify the reliable cable connection before starting up the system!

Figure 8.2 Parallel signal cables connection (Parallel system)



No.	Description
1	PARA1
2	PARA2
3	LBS

Figure 8.3 Location of parallel port J3 on bypass control module



8.2.6 Remote EPO

In addition to the EPO switch provided on the operator control and display panel of each UPS module for controlling the EPO of each module respectively, the parallel system also provides remote EPO function for controlling all UPS modules to shut down simultaneously from a remote terminal, as shown in **Figure 8.4** below.

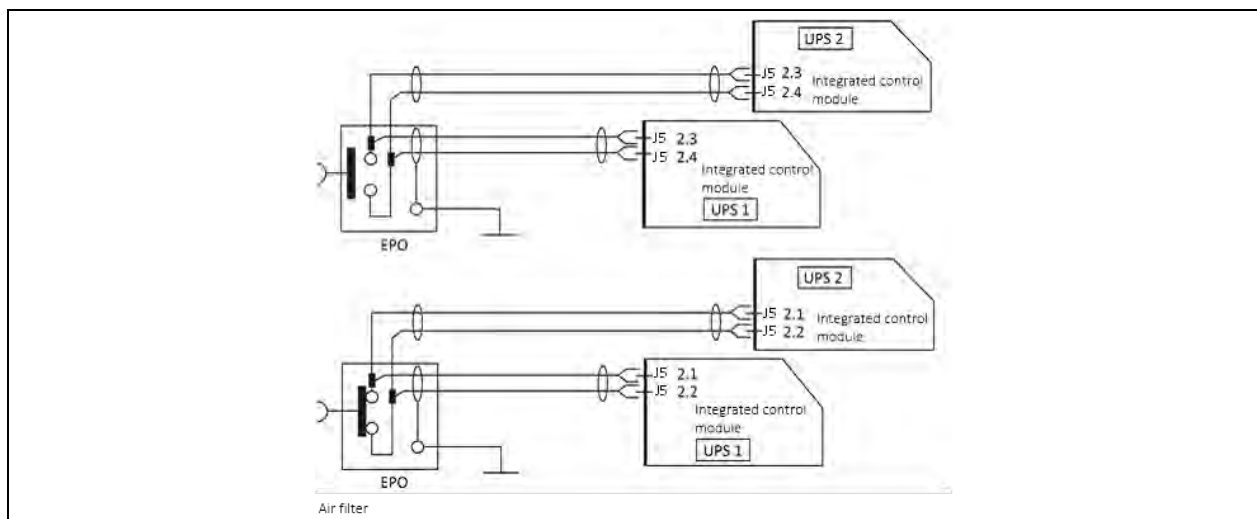
NOTE: The remote EPO switch must provide dry contact signal, which is normally open or normally closed.

NOTE: The open circuit voltage provided is 12 Vdc, < 20 mA.

NOTE: The external EPO device is composed to configure another control system which can disconnect UPS mains supply or bypass input.

NOTE: Pins 1 and 2 of the normally closed EPO-J5 port on the integrated control module have been linked in factory.

Figure 8.4 EPO circuit diagram



NOTE: In **Figure 8.4** above, the upper one is Normally Open type, and the lower one is Normally Closed type.

8.3 Operation Procedures for Parallel System

Only one step should be carried out at time, and only after finishing this operation step of each UPS module, the next step can be carried out.

8.3.1 Startup Procedures in Normal Mode

These procedures are applicable to start the UPS under total power-down state, which means the UPS or the maintenance bypass switch has not supplied the load before. Make sure UPS has been completely installed and commissioned by the engineer, and external power supply switch has been turned off.



WARNING! These procedures result in mains voltage being applied to the UPS output terminals.



WARNING! If any load equipment is connected to the UPS output terminals, check with the user that it is safe to apply power. If the load is not ready to receive power, disconnect the downstream load switch, and stick a warning label on the connection point of the load.

Use the following procedures to turn on the UPS from a fully powered down condition.

1. Confirm that the total external maintenance bypass switches are disconnected. Open the front door of each UPS in turn, ensure that the internal maintenance bypass switch Q3 is disconnected, while the input cables and copper bars are reliably connected, and the parallel cables are firmly connected.



WARNING! In parallel UPS configuration, all operations related to disconnection or connection of the maintenance bypass switch shall be executed within three seconds to avoid overload situations & damage to the maintenance bypass switch.

2. Close the total bypass input switches.
3. Close the output switch Q5, bypass input switch Q2, rectifier input switch Q1, and all external output isolating switches (if any) of each UPS in turn.

At the moment, the system is powered on, and the startup screen pops up.

About 25 seconds later, confirm that the TOUCHSCREEN shows the rectifier power supply and the bypass power supply are normal; if not, check whether the switches Q1 and Q2 are closed. Then the rectifier starts up, about 30 seconds after the rectifier enters normal operation, the bypass static switch is closed.

4. When the rectifier start process is finished and the rectifier indicator goes solid green, close the external BCB.
5. For each UPS, manually turn on the inverter. As the inverter starts up, the whole UPS system will power the load.

8.3.2 Maintenance Bypass Procedures



WARNING! If the UPS system is composed of more than 2 parallel UPS modules, and the load capacity exceeds the single module capacity, do not use the internal maintenance bypass switch.

This operation will make the load transfer from UPS power supply protection state to direct connection with AC input bypass state.



CAUTION: Power supply interruption can cause danger of the load. Before performing this procedure, check the LCD information first, and make sure the bypass is normal and inverter synchronized. Otherwise, it may result in the load power interruption for a while.

1. Manually turn off the inverter of each UPS in turn. The power flow diagram shows INVERTER OFF, and the buzzer alarms. The load transfers to the static bypass, and the inverter shuts down. At last, all UPSs are transferred to Bypass mode.

NOTE: Pressing the SILENCE OFF button can silence the alarm, but the alarm message on the touchscreen does not disappear until the alarm status is cleared.

2. Close the UPS external total maintenance bypass switches, and do not close the internal maintenance bypass switch Q3 of each UPS.
3. At this moment, the external total maintenance bypass should be parallel connected with each UPS's static bypass.
4. At this moment, the touchscreen of each UPS displays ' Maint. Switch Closed'.
5. Disconnect the output switch Q5 of each UPS in turn, and the maintenance bypass can supply power to the load.



CAUTION: Load is not secured on the maintenance bypass anymore unless there is power generator running instead of normal grid utility.

6. Pressing the EPO button of each UPS stops the operation of rectifier, inverter, static switch and battery, but this action will not affect the maintenance bypass to power the load normally.

NOTE: In maintenance mode, the load is directly fed by the mains power instead of the pure AC power from the inverter.

7. Disconnect the rectifier input switch Q1 and bypass input switch Q2 of each UPS in turn.

At the moment, all the internal power supply is off and the touchscreen does not display any more.



WARNING! If the maintenance is required, wait 10 minutes for the internal DC bus capacitance discharging.



WARNING! The parts of UPS circuits also have hazardous voltage, though the rectifier input switch, bypass input switch and battery switch are disconnected. Therefore, the UPS maintenance is applicable to qualified personnel only.

8.3.3 Procedures for Isolating One UPS module from Parallel System

IMPORTANT! These procedures shall only be carried out by service personnel of Vertiv or under their guidance.



WARNING! After isolating one UPS module, when the parallel system is not overload, then proceed with steps below.

The following procedures apply when one UPS module must be isolated from the parallel system for repair due to serious fault:

1. Pressing the EPO button on the GHMI stops the operation of rectifier, inverter, static switch and battery, but this action will not affect other UPSs in parallel system to power the load normally.
2. Disconnect the external power mains switch, rectifier input switch Q1, external power bypass switch, bypass input switch Q2, output switch Q5, BCB and single module external output switch.



WARNING! Post a label at the AC input distribution (generally far away from the UPS) to alert that the UPS is under maintenance.



WARNING! Wait 10 minutes for the internal DC bus capacitance discharging. Then the UPS is completely shut down.

8.3.4 Procedures for Inserting One Isolated UPS module in Parallel System

IMPORTANT! These procedures shall only be carried out by service personnel of Vertiv or under their guidance.

The following procedures are used to reintegrate a UPS module that has been previously isolated from the parallel system:

1. Confirm that the I/O cable, battery cable, and parallel cable of the single module are correctly connected.
2. Confirm that the maintenance bypass switch Q3 or the single module external maintenance switch is disconnected. Close the output switch Q5, external output switch, external power bypass switch, bypass input switch Q2, rectifier input switch Q1, and external power mains switch of each UPS in turn.
3. When the single module starts, close the BCB and then manually turn on the inverter.

Wait a few seconds after starting the inverter of inserted UPS system, it connects with existing systems for parallel operation automatically.

8.3.5 Procedures for Completely Powering Down UPS

Complete UPS shutdown and load power-off should follow this procedure. All power switches, isolating switches and breakers are disconnected, and then UPS no longer supplies power to the load.



CAUTION: The following procedures will cut off the load power making the load completely power off.

1. Pressing the EPO button of each UPS stops the operation of rectifier, inverter, static switch, and battery.
2. Disconnect the rectifier input switch Q1 and bypass input switch Q2 of each UPS. At the moment, all the internal power supply is closed and the touchscreen does not display any more.
3. Disconnect the output switch Q5 of each UPS.



WARNING! Post a label at the AC input distribution (generally far away from the UPS) to alert that the UPS maintenance is being operated.



WARNING! Wait 10 minutes for the internal DC bus capacitance discharging. Then the UPS is completely shut down.



WARNING! Hazardous battery voltage: The battery terminals still have hazardous voltage after the UPS is completely shutdown.

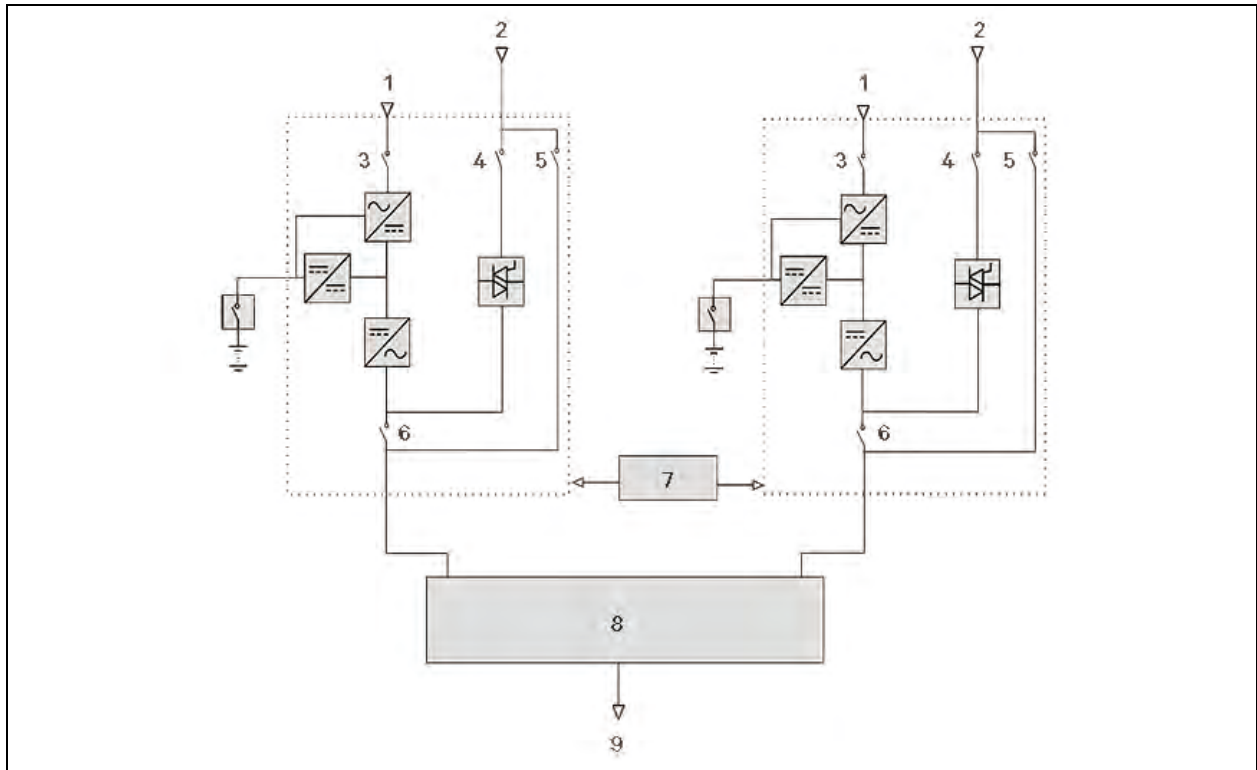
8.4 LBS System

8.4.1 Cabinet Installation

LBS system consists of two independent UPS systems, each containing one or more parallel UPS modules, as shown in **Figure 8.5** on the next page and **Figure 8.6** on page 159. The LBS system has high reliability and is applicable to the load with multiple inputs. For single-input load, an STS can be installed to feed power to the load.

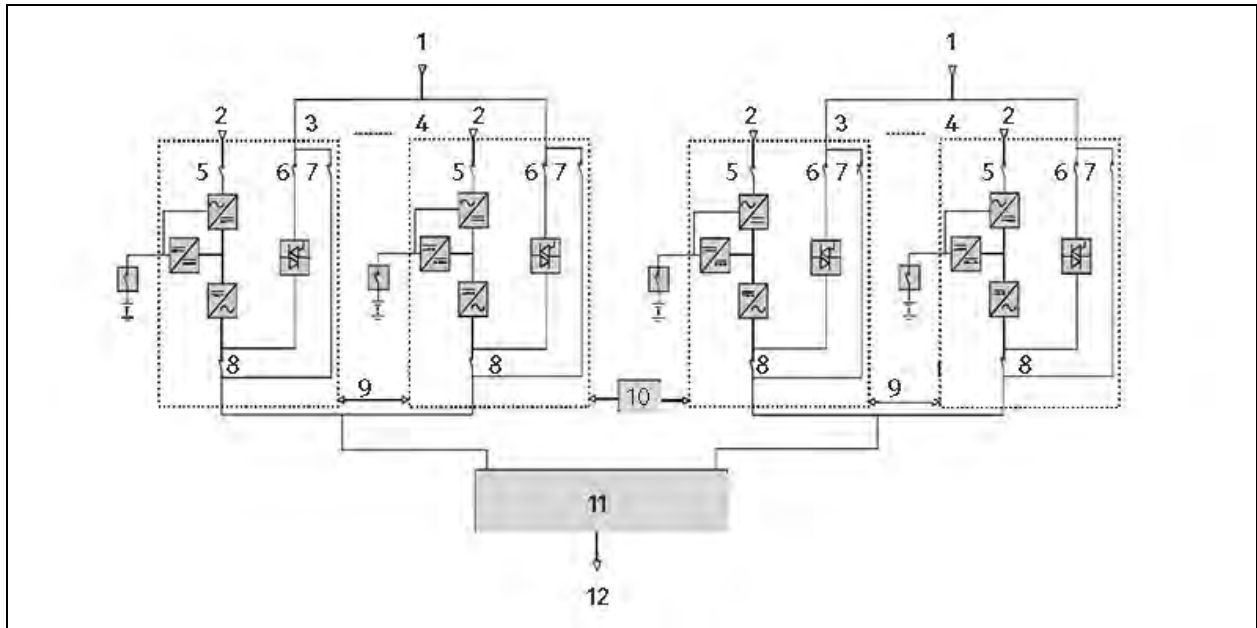
The system uses the LBS cables to keep the output of two independent UPS systems in synchronization. One set of UPS system (single/parallel) is designated as the master, the other set of UPS system (single/parallel) is designated as the slave for the operation in LBS mode.

Figure 8.5 LBS system (UPS module)



No.	Description
1	Rectifier
2	Bypass
3	Q1
4	Q2
5	Q3
6	Q5
7	LBS
8	STS
9	To load

Figure 8.6 LBS system (parallel system)



No.	Description
1	Bypass
2	Rectifier
3	UPS1
4	UPS4
5	Q1
6	Q2
7	Q3
8	Q5
9	Parallel cable
10	LBS
11	STS
12	To load

NOTE: In a dual-bus system, the two UPS systems must have the same voltage and frequency, and the load should not exceed the power rating of a UPS module system.

8.4.2 External Protective Device

Refer to External Protective Device.

8.4.3 Power Cable

The power cable of dual-bus power system is similar to that of single system. Refer to Wiring of Power Cable.

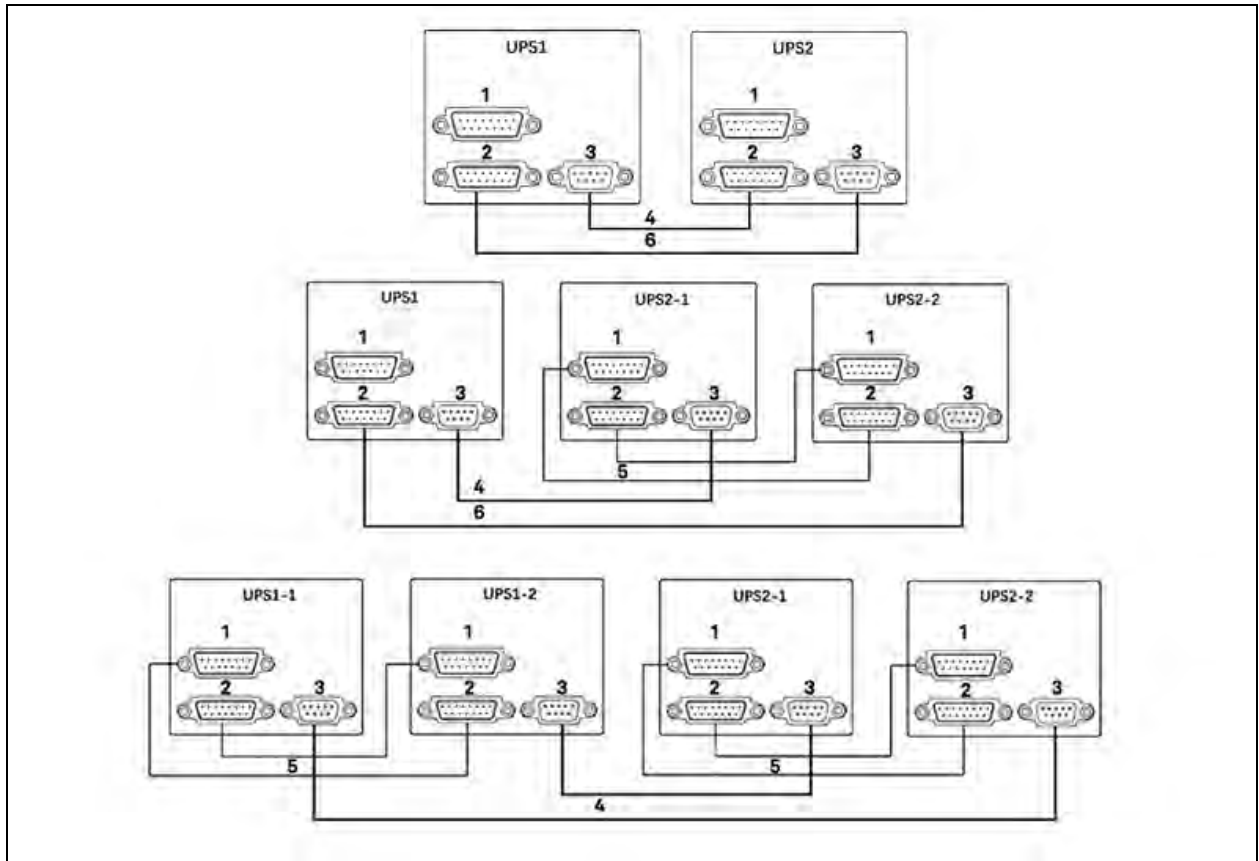
The bypass and rectifier input supplies must use the same neutral line input terminal. If the input has a current leakage protective device, the current leakage protective device must be fitted upstream of the neutral line input terminal.

8.4.4 LBS Cable

For 500 kVA dual bus system, connect the optional LBS cables (10 m, 15 m, 20 m) between the LBS ports (J4) or PARA2 and LBS port of the two UPS systems shown in **Figure 8.7** below. The J4 port and PARA port are provided on the front panel of the bypass control module, as shown in **Figure 8.8** on the facing page.

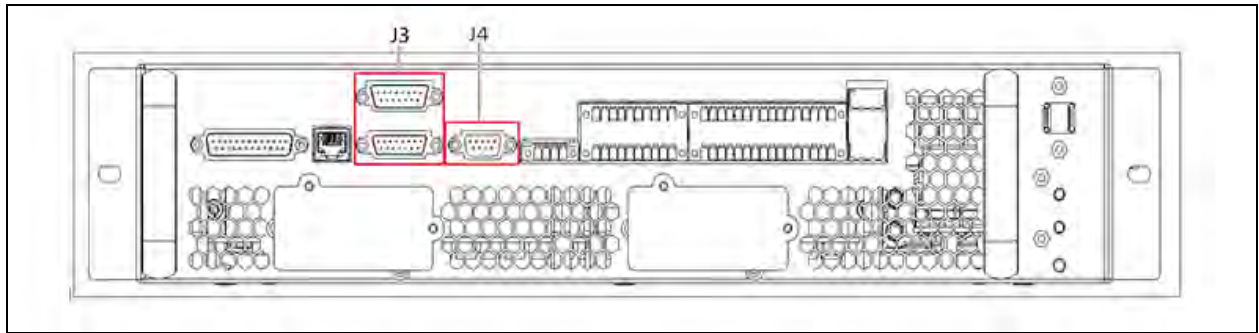
NOTE: You must use the shortest LBS cable to suit the application and must not coil excess. Meanwhile, separate the LBS cable from the power cables to prevent electrical interferences.

Figure 8.7 Connection of typical LBS system (single UPS, parallel system)



No.	Description
1	PARA 1
2	PARA 2
3	LBS
4	LBS 1 Cable
5	Parallel cable
6	LBS 2 cable

Figure 8.8 LBS port (J4) and PARA port (J3) on bypass control module



This page intentionally left blank

9 Options

This chapter provides the UPS option list, and introduces the functions, installation and configuration of each option.

9.1 Option List

Table 9.1 Option list

No.	Option name	Remark
1	Battery temperature sensor kit	/
2	Battery ground fault kit	/
3	Seismic anchor kit	/
4	IS-UNITY-DP card	Intellislot ports 1 to 2
5	IS-UNITY-LIFE card	Intellislot ports 1 to 2
6	SIC card	Intellislot ports 1 to 2
7	485 card	Intellislot port 1
8	IS-RELAY card	Intellislot ports 1 to 2
9	BCB cabinet	/
10	Parallel cable	Available in 5 m, 10 m, 15 m
11	LBS cable	Available in 10 m, 15 m, 20 m
12	Common source copper bar	/
13	LBS Adapter	/

NOTE: The RS232 of Intellislot 2 shares communication resources with the RS485 of the HMI RJ45 interface. To avoid conflicts, when using the HMI interface to communicate with BMS, the Intellislot interface 2 can only connect to the IS-Relay card.

9.2 Option Introduction

9.2.1 Battery Temperature Sensor Kit

The battery temperature sensor is used to detect the battery temperature. With this function, we can adjust the float charging voltage of the battery to make it inversely proportional to the ambient temperature of the battery, so as to prevent the over-charge of the battery at high ambient temperature.

Preparation

1. Tool: One cross head screwdriver.
2. Check whether the installation materials are all set, including: One battery temperature sensor.

Procedures



WARNING! Install the battery temperature sensor strictly in accordance with the following steps, or else, the UPS and battery may be damaged.



WARNING! When installing the battery temperature sensor, turn off the UPS. During installation, be sure not to touch the battery terminals, exposed copper bars and components.

1. Power down the UPS completely.
 - a. Turn off the load.
 - b. All UPS indication goes off, wait five minutes for the internal DC bus capacitors of the UPS to discharge completely.
2. Connect one end of the network cable with shielded RJ45 port to the battery temperature sensor and plug the other end into the J2 dry contact port on the UPS bypass. The temperature sensor can be connected in series with a maximum of 20 sensors and a maximum distance of 50 m.
3. Route and pack the cables in order. Note that the cables should be routed separately from the power cables, to avoid EMI.

9.2.2 Battery Ground Fault Kit- Applicable for APAC Region

The UPS provides a battery ground fault detector to detect and remove battery ground fault so as to ensure reliable system operation.

When a battery ground fault is detected, an alarm will appear on the UPS display panel.

The battery ground fault detector includes a mutual inductor and a PCB, which should be installed in the BCB box. For the installation and connection of the battery ground fault detector, refer to Battery Ground Fault Detector (Optional)- Applicable for APAC Region

9.2.3 Seismic Anchor Kit

The UPS provides seismic anchor kits to avoid and reduce the damage to UPS caused by earthquake or vibration.

See **Table 9.2** below for dimensions of the seismic anchor kit.

Table 9.2 Dimensions of the seismic anchor kits

Seismic anchor	Width (mm)	Length (mm)	Torque value (N.m)
Seismic anchor	60	585	13

Fix the UPS onto the concrete floor.



WARNING! Only Vertiv authorized engineers shall carry out the installation.



WARNING! Carry out the installation strictly following the instructions. Failure to observe this could cause personnel injury or damage to the UPS and seismic anchor kits.

Preparation

1. Prepare the installation tools, including a cross head screwdriver, a torque spanner and an adjustable spanner.
2. Check that all installation materials are present and complete, including:

Without switch, single switch: two seismic anchors, eight M8 × 25 tapping screws, six M12 expansion bolts.

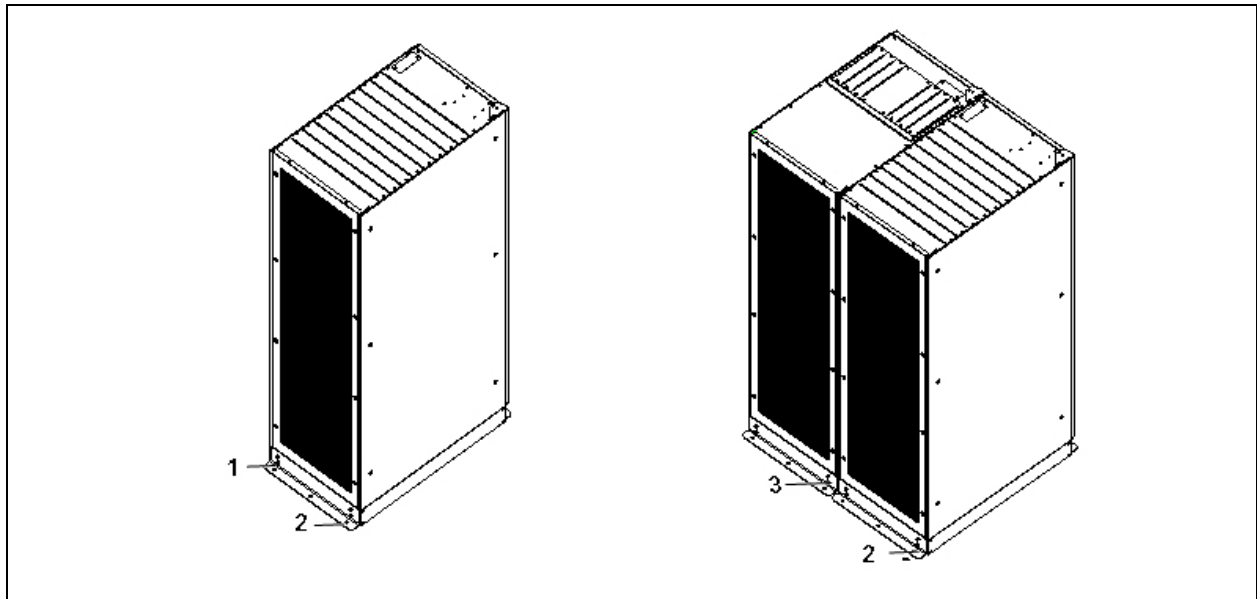
Four switches: four seismic anchors, 16 M8 × 25 tapping screws, 12 M12 expansion bolts.

Procedures

The installation procedures are as follows:

1. Use M8 × 25 tapping screws (4 pcs) to install seismic anchor on the rear bottom of the UPS cabinet, and use M12 expansion bolts (3 pcs) to fix seismic anchor on the ground, as shown in **Figure 9.1** on the next page.

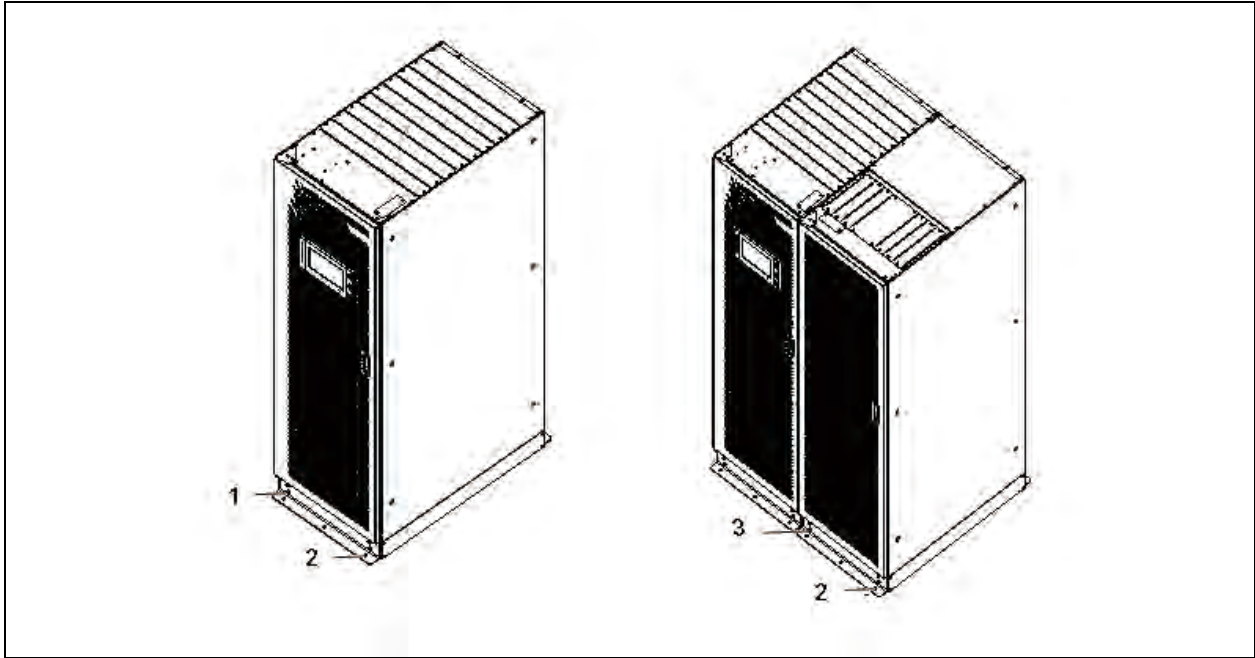
Figure 9.1 Installing seismic anchor (rear installation)



	Description
1	M8 x 25 Tapping screws (4PCS)
2	M12 Expansion bolts (3PCS)
3	M8 x 25 Tapping screws (8PCS)

2. Use M8 × 25 tapping screws (4 pcs) to install seismic anchor on the front bottom of the UPS cabinet, and use M12 expansion bolts (3 pcs) to fix seismic anchor on the ground, as shown in **Figure 9.2** below.

Figure 9.2 Installing seismic anchor (front installation)



No.	Description
1	M8 x 25 Tapping screws (4PCS)
2	M12 Expansion bolts (3PCS)
3	M8 x 25 Tapping screws (8PCS)

9.2.4 SIC Card- Applicable for APAC Region

The SIC card is a network management card. It brings the network communication capability for the Liebert® UPS. It can also support IRM series sensor to monitor environment. When the intelligent equipment generates an alarm, the SIC card can notify the user by recording the log, sending trap information, and sending a mail. SIC card also supports Modbus RTU protocol.

Preparation

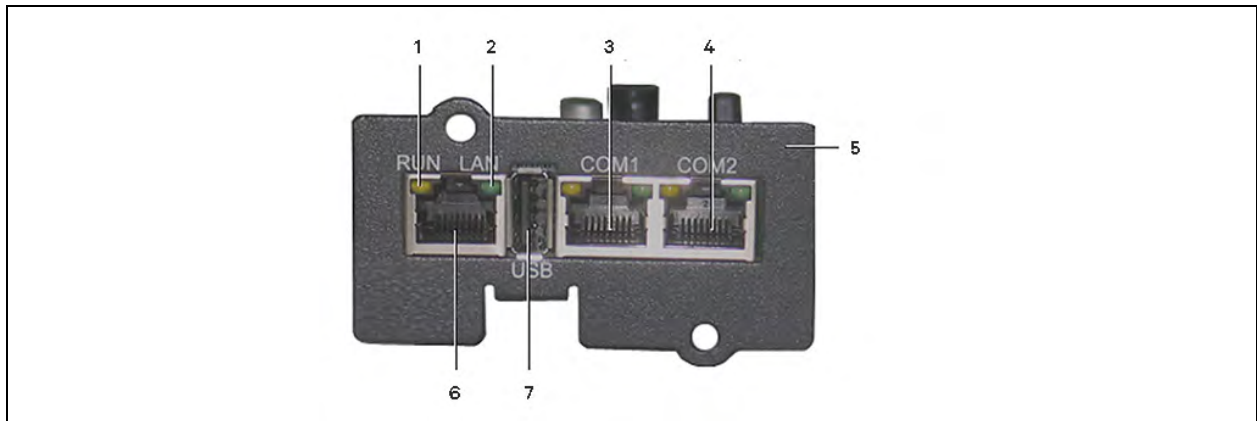
1. Prepare the installation tools, including a cross head screwdriver.
2. Check that all installation materials are present and complete, including one SIC card.

Procedures

NOTE: There is no need to shut down the UPS during SIC card installation, because the SIC card is hot pluggable.

! **WARNING!** Some electronic components in SIC card are sensitive to static electricity, therefore, do not touch the electronic components or circuit in SIC card by hand or other conductive materials, so as to protect the SIC card against static electricity. When removing or installing the SIC card, hold the card side edge to operate it.

Figure 9.3 Appearance of SIC card



No.	Description
1	RUN indicator
2	LAN indicator
3	COM1 port
4	COM2 port
5	Front panel
6	RJ45 port
7	USB port

The SIC card should be installed in the Intellislot port (see **Figure 4.4** on page 49) in the UPS. See **Table 4.10** on page 56 for installation positions of optional cards.

Method for installation:

1. Remove the cover of Intellislot port. Note to reserve the removed screws and take care of the cover for future use.
2. Insert the SIC card (along two sides of the Intellislot port) into the port position recommended in **Table 4.10** on page 56, and then fasten the screws.

For more information of the SIC card, refer to Site Interface Web/SNMP Agent Card User Manual in accessory.

Refer to Signal Cable Connection Steps for routing of the signal cables.

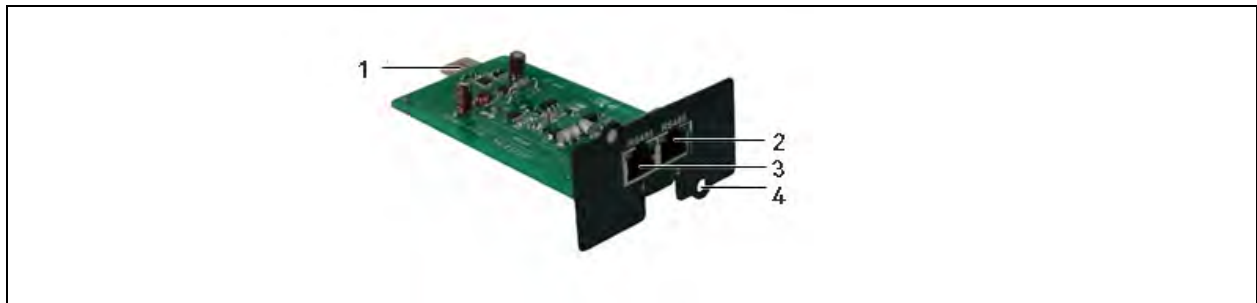
9.2.5 UF-RS485 Card- Applicable for APAC Region

The UF-RS485 card converts RS232 signal to RS485 signal to realize UPS networking and communication. It should be installed in an Intellislot port (see **Table 9.1** on page 163) of the UPS. It is hot pluggable for easy installation.

Appearance

The appearance of the UF-RS485 card is shown in **Figure 9.4** below.

Figure 9.4 Appearance of UF-RS485 card



No.	Description
1	Goldfinger
2	RJ45 port 2
3	RJ45 port 1
4	Installation hole (2 pcs)

The gold finger is used for insertion into the Intellislot port of the UPS. It provides RS232 input signal. The RJ45 port 1 and RJ45 port 2 are in parallel connection. They provide RS485 output signal.

Installation

NOTE: The UF-RS485 card is hot-pluggable, so you can install it without shutting down the UPS.

NOTE: Some electronic components on the UF-RS485 card are quite sensitive to static electricity. To prevent static electricity from damaging the card, do not touch its electronic components or circuits with hands or other live objects. Please hold the side edges of the UF-RS485 card when moving or installing it.

1. Insert the UF-RS485 card into the UPS.
 - a. Remove the Intellislot port cover on the front panel of the bypass module. Save the screws.
 - b. Align the UF-RS485 card with the Intellislot port, insert the card into the port along the grooves on both sides of the port.
 - c. Fix the UF-RS485 card through the fixing holes on the UF-RS485 card panel with the screws obtained when removing the Intellislot port cover previously.
2. Connect the cable. Users can select a standard network cable in proper length as the connecting cable according to needs.
 - a. Insert one end of the standard network cable into the RJ45 port 1 or RJ45 port 2 of the UF-RS485 card.
 - b. Insert the other end of the standard network cable to the corresponding port of the user equipment.



WARNING! The RJ45 ports of the UF-RS485 card must connect to SELV circuit. Failure to observe this could cause damage to the card and even result in safety accidents.



WARNING! The connecting cable of the UF-RS485 card and the external equipment must be a double-end shielded cable.

Troubleshooting

Fault: The UF-RS485 output signal does not change with the UPS status.

Action to take: Ensure that the UF-RS485 card is properly inserted into the Intellislot port and the cable is properly connected.

9.2.6 IS-Relay Card

The appearance of the IS-Relay card is shown in **Figure 9.5** below.

Figure 9.5 Appearance of IS-Relay card



The UPS provides IS-Relay card for the user to use the dry contact signal to monitor the UPS.

The functions of the IS-Relay card are listed in **Table 9.3** below.

Table 9.3 Function of UPS IS-Relay card

Pin	Function	Operation
1	Common-Low Battery	
2	Low Battery	Closed if low battery point occurs
3	Low Battery	Closed if battery is OK
4	Common-UPS Fault	
5	UPS Fault	Closed if UPS fault occurs
6	UPS Fault	Closed if no UPS failure
7	Common-On Battery	
8	On Battery	Closed if On Battery power (Utility failure)
9	On Battery	Closed if not On Battery power (Utility OK)
10	Signal Ground	Future release
11	Signal Ground	Future release
12	UPS Any-Mode Shutdown	Future release
13	Summary Alarm	Closed if no alarm conditions are present
14	Summary Alarm	Closed if summary alarm occurs

Table 9.3 Function of UPS IS-Relay card (continued)

Pin	Function	Operation
15	Common-Summary Alarm	
16	On UPS	Closed if On UPS (inverter) power
17	On Bypass	Closed if On Bypass
18	Common-On Bypass	

For more information of the IS-Relay card, refer to the Liebert® IntelliSlot IS-Relay Card User Manual in accessory.

The installation method of the IS-Relay card is the same as that of the SIC card. Refer to Signal Cable Connection Steps for the cabling and routing of the signal cables.

9.2.7 BCB Cabinet- Applicable for APAC Region

For details, refer to BCB Cabinet (Option 1)-Applicable for APAC Region .

9.2.8 Parallel Cable

Shielded and double-insulated parallel cables available in lengths of 5 m, 10 m and 15 m must be interconnected in a ring configuration between the UPS modules, as shown in **Figure 8.2** on page 152. Method: Connect a module parallel cable from its PARA1 port to the PARA2 port of another module. Follow this method to connect other parallel cables.

The ring connection ensures the reliability of the control of the parallel system. Be sure to verify the reliable cable connection before starting up the system!

9.2.9 LBS Cable

Shielded and double-insulated parallel control cables (LBS1 and LBS2) available in lengths of 10m, 15m and 20m. The LBS cable must be interconnected in a branch configuration between LBS1 and LBS2 of any UPS modules, as shown in, as shown in **Figure 8.7** on page 160.

9.2.10 Shorting Copper Bar Kit

For the UPS with shorting copper bar of common input configuration, the user should select the shorting copper bar kit to short the mains input and bypass input.

10 Communication

The UPS supports SNMP communication, Modbus protocol communication, dry contact communication and Velocity protocol communication. This chapter provides information relevant to these types of communication.

Selecting 'Velocity' means the system supports the Velocity protocol communication.

10.1 SNMP Protocol Communication

If you need to monitor the UPS through network, you may select the UNITY card or SIC card provided by Vertiv. These two cards support SNMP protocol. Both the UNITY card and SIC card are network management cards which make the UPS an IOT device. IRM series sensor can also be connected to these cards to provide environmental monitoring function. When the intelligent equipment generates an alarm, the UNITY card and SIC card can notify the user by recording the log, sending trap information, and sending a mail.

The UNITY card and SIC card provide three approaches for you to monitor your intelligent equipment and equipment room environment:

- Web browser: You can use Web browser to monitor your intelligent equipment and equipment room environment through the Web server function provided by the UNITY card or SIC card.
- Network management system (NMS): You can use NMS to monitor your intelligent equipment and equipment room environment through the SNMP function provided by the UNITY card or SIC card.
- RDU-A: The network management software for equipment room power and environment. You can use RDU-A to monitor your intelligent equipment and equipment room environment through the TCP/IP interface provided by the SIC card.

The SIC card can also work with the Network Shutdown software developed by Vertiv to provide automatic safe shutdown function for your computer installed with Network Shutdown, so as to avoid data loss.

The communication card should be installed in the Intellislot port (see **Figure 4.4** on page 49) in the UPS.

For further description of the IS-UNITY card, refer to Liebert® IntelliSlot Unity Card User Manual–Web, SNMP, Modbus, BACnet, YDN23 in accessory.

For the installation and setting information of the SIC card, refer to Site Interface Web/SNMP Agent Card User Manual for details.

10.2 Modbus Protocol Communication

The Modbus protocol communication is supported by UNITY card and SIC card.

10.3 Dry Contact Communication

The UPS provides the following two dry contact communication approaches:

- IS-Relay card
- Dry contact port of central control module

10.3.1 Communication through IS-Relay Card

The UPS provides an IS-Relay card (optional) for the user to use dry contact signals to monitor the UPS. For the installation and use of the IS-Relay card, refer to Liebert® IntelliSlot IS-Relay Card User Manual.

10.3.2 Communication through Dry Contact Port of Central Control Module

For on-site specific needs, the UPS may need auxiliary connection to achieve functions like acquiring external equipment status information, providing alarm signals to external devices, and remote EPO. These functions are carried out through the following interfaces on the bypass control module:

- Input dry contact port
- Output dry contact ports
- EPO input port

For the functions and detailed information of these ports, refer to Wiring of Signal Cable.

11 Service and Maintenance

The UPS system (including battery) needs regular service and maintenance in long-term operation. This chapter elaborates and advice on the service life, regular inspection, maintenance, and replacement of the UPS key components. Effective maintenance of the UPS system can reduce the risk of UPS failure and prolong the UPS service life.

11.1 Safety



WARNING! Inspection of UPS system can only be executed by people who have received relevant training, and the inspection and replacement of the devices should only be undertaken by authorized professionals.



WARNING! The components that can only be accessed by opening the protective cover with tools cannot be operated by the user. Only qualified service personnel are authorized to remove such covers.



WARNING! Note that the neutral line has hazardous voltage when servicing the UPS.



WARNING! For the UPS without switch or single switch, switch off and disconnect device before maintenance, and check whether the UPS is powered on.

11.2 Service Procedures of Power Module and Bypass Power Module

11.2.1 Notes

1. Only customer service engineers shall service the power modules and bypass power module.
2. Remove the power modules and bypass power module from top to bottom, to prevent cabinet toppling due to high center of gravity.
3. The power module, bypass power module and central control module may have high-voltage inside. For your own safety, do not disassemble them.
4. The power modules and bypass power modules should be serviced 5 minutes after they are removed, and re-plug them into the cabinet after 5 minutes.
5. Modules of different types cannot be pulled out of the cabinet at the same time.

11.2.2 Service Procedures of Power Module

1. Place the ready switch on the front panel of the power module to unready state, at this time, the green indicator beside the ready switch is off and the red indicator is on.
2. Ensure that the red indicator on the power module is solid on, remove the fixing screws on both sides of the front panel of the module, and pull the module out of the cabinet.

NOTE: The module will be blocked by a spring piece on the left side of the module when the module is pulled out of the cabinet halfway. At this point, you must press the spring piece before you continue to pull the module out.

3. After servicing the module, check that the ready switch is in unready state.
4. Push the module (at least 10s after another) into the cabinet, and tighten the screws on both sides.
5. Place the ready switch of the module to the left position, and the module will connect to the system automatically.

11.2.3 Replacement Procedures of Bypass Power Module

Service procedures in bypass mode

1. Make the UPS work in Normal mode or Maintenance bypass mode, refer to Procedures for Transfer Between Operation Modes or Operation Procedures for Parallel System.
2. Place the ready switch on the front panel of the power module to unready state, at this time, the red indicator beside the ready switch is on.
3. Remove the fixing screws on both sides of the front panel of the bypass power module, and pull the module out of the cabinet, then maintain the module.
4. After servicing the module, push the module into the cabinet, and tighten the screws on both sides.

NOTE: When pulling the bypass power module out of the cabinet, move it around and pull outward many times. When inserting the bypass power module, you should insert it forcibly, otherwise the bypass power module may have poor contact with the system, thus affect the normal operation of the bypass power module and the overall unit. The standard for the bypass power module normal insertion position is that the brackets on both sides of the bypass power module can be close to the cabinet column.

5. Place the ready switch to ready state, at this time, the red indicator beside the ready switch is off.
6. Transfer the UPS to Bypass mode, refer to Procedures for Transfer Between Operation Modes or Operation Procedures for Parallel System.

Service procedures of single UPS in normal mode

1. Place the ready switch on the front panel of the power module to unready state, at this time, the red indicator beside the ready switch is on.
2. Remove the fixing screws on both sides of the front panel of the bypass power module, and pull the module out of the cabinet.
3. After servicing the module, push the module into the cabinet, and tighten the screws on both sides.
4. Place the ready switch to ready state, at this time, the red indicator beside the ready switch is off while the green indicator is on.

Service procedures of parallel system in normal mode

1. Confirm that there is power redundancy after disconnecting the UPS to be maintained, to avoid output overload.
2. Press the EPO button for the UPS to be serviced, and open the mains input switch, bypass input switch, and output switch.
3. Place the ready switch on the front panel of the power module to unready state.
4. Remove the fixing screws on both sides of the front panel of the bypass power module, unplug the signal cables and pull the module out of the cabinet, then maintain the module.
5. After servicing the module, push the module into the cabinet, and tighten the screws on both sides.
6. Close the mains input switch, bypass input switch, output switch, and BCB. Place the ready switch to ready state. Then start the system following the procedures in Procedures for Inserting One Isolated UPS module in Parallel System.

11.3 Key Components and Service Life of UPS

When in use, some devices of UPS system will have shorter service life than UPS itself due to abrasion in work. For the safety of UPS supply system, it is necessary to have regular inspection and replacement of these devices. This section introduces the key components of UPS and the reference years of service life. For systems under different conditions (environment, load rate, and etc.), assessment and advice by professionals on whether to replace the device are required with reference to the information provided in this section.

11.3.1 Life Parameters and the Proposed Replacement Time of Key Components

Key components in **Table 11.1** below are used in the UPS system. To prevent system failures due to some of the devices' failure by wear, it is proposed to carry out regular inspection and replacement during its estimated life.

Table 11.1 Life parameters and the proposed replacement time of key components

Key components	Estimated life	Proposed replacement time	Proposed inspection period
Fan	Not less than 7 years	6 years	1 year
Air filter	1 year to 3 years	1 year to 2 years	2 months
VRLA battery (5-year life)	5 years	3 years to 4 years	6 months
VRLA battery (10-year life)	10 years	6 years to 8 years	6 months

11.3.2 Replacement of Air Filter

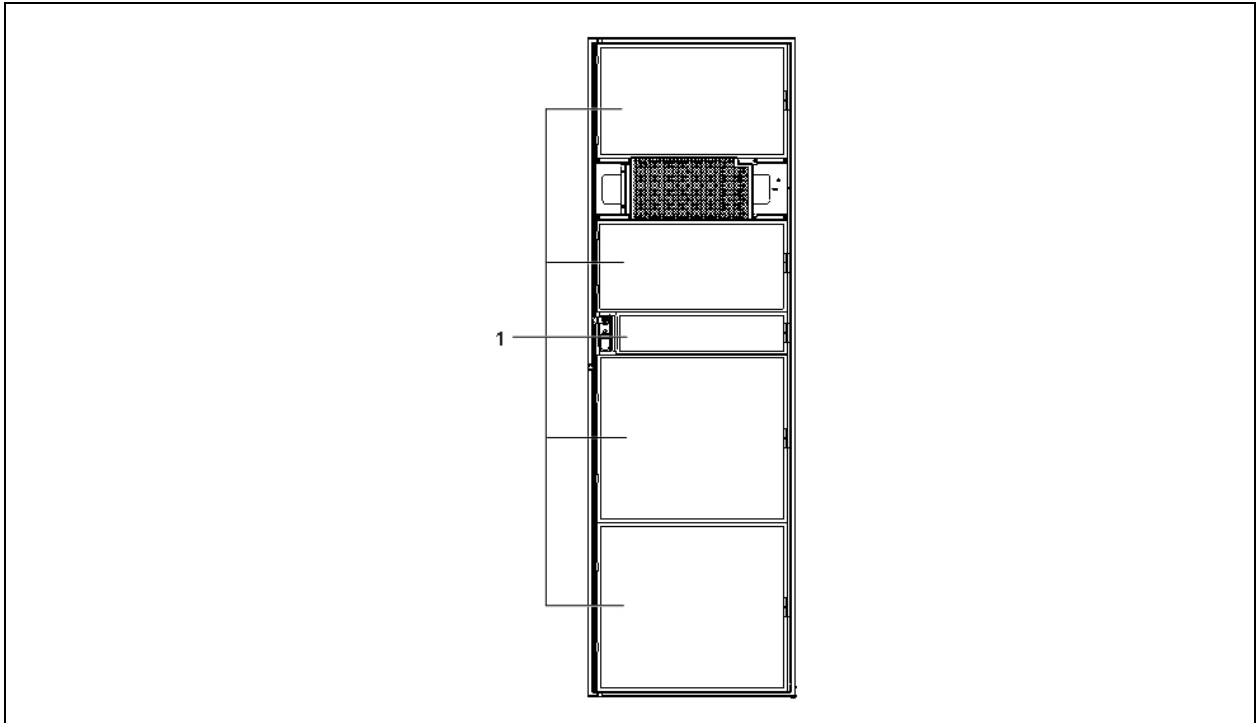
The air filters need regular inspection and replacement. The inspection and replacement intervals are related to the environmental conditions of the UPS. Under normal environmental conditions, the air filters should be cleaned or replaced once every two months and need more frequent cleaning and replacement in dusty or other harsh environments. Frequent inspection or replacement should also be made in new buildings.

The UPS provides air filters on the back of the front door of the cabinet, and the user can replace the air filter during the UPS operation.

Each air filter is fixed by a fixing bar on both sides. Refer to **Figure 11.1** below, the following is the air filter replacement procedures:

1. Open the front door of the UPS to reveal the air filter on the back of the front door.
2. Remove a fixing bar on one side and loosen the fixing screws of the fixing bar on the other side, with no need to remove this fixing bar.
3. Remove the air filter to be replaced, insert a clean one.
4. Re-install the removed fixing bar in the original place and tighten the fixing screws.
5. Tighten the fixing screws of the fixing bar on the other side.

Figure 11.1 Replacing air filter



No.	Description
1	Air filter

11.4 Maintenance of UPS and Options

UPS and the options need common maintenance:

1. Keep good maintenance record. Keeping good maintenance record facilitates failure treatment.
2. Keep clean, so as to prevent UPS from the invasion of dust and moisture.
3. Maintain appropriate ambient temperature. The most appropriate temperature for battery is 20 °C to 25 °C. Too low temperature will reduce the battery capacity and too high temperature will reduce the battery life.
4. Check the wiring. Check the tightening of all connected screws, and there should be routine tightening at least once a year.
5. Check regularly if there is any abnormality in the superior or subordinate switch to ensure cutting off the import or export when the current is too large. Maintenance staff should be familiar with the typical ambient conditions where UPS is working in order to rapidly position which ambient conditions are unusual; the setting of UPS operation control panel should be known as well.
6. Regularly check the status of the LED indicator of the UPS built-in lightning protection board, if the indicator is abnormal, the lightning protection board needs to be replaced.

For information of the UPS battery maintenance, refer to Battery Maintenance.

This page intentionally left blank

12 Specifications

This chapter lists the UPS specifications.

12.1 Conformance and Standards

The UPS has been designed to comply with the European and international standards listed in **Table 12.1** below.

Table 12.1 European and international standards

Item	Normative reference
General safety requirements for UPS	EN62040-1/IEC62040-1/BS62040-1
EMC requirements for UPS	EN62040-2/IEC62040-2/BS62040-2 (Class C3)
Method of specifying the performance and test requirements of UPS	EN62040-3/IEC62040-3/BS62040-3 (VFI SS 111)
Environmental aspects - requirements and reporting	EN62040-4/IEC62040-4/AS62040-4 (VFI SS 111)

NOTE: The product standards in this table incorporate relevant compliance clauses with generic IEC and EN standards for safety (IEC/EN/BS60950), electromagnetic emission and immunity (IEC/EN/BS61000 series) and construction (IEC/EN/BS60146 series and 60529).

12.2 Environmental Characteristics

Table 12.2 Environmental characteristics

Item	Normative reference	Rated power (kVA)
		500
Noise within 1 m (in the front)	dB (A)	<70
Altitude	m	≤ 1500; derate power by 1% per 100 m between 1500 m and 3000 m
Relative humidity	%RH	0 to 95%, non condensing
Operating temperature	°C	0 ~ 50. 0~40, at full load; 40~50, 80% load
Storage and transportation temperature for UPS	°C	Storage: -25 °C to +55 °C; transportation: -40 °C to +70 °C
Over-voltage level		Level 3
Pollution level		Level 2
Grid system		TN, TT, IT

12.3 Mechanical Characteristics

Table 12.3 Mechanical Characteristics

Item		Unit	Rated power (kVA)		
			Without switch	Single switch	Four switches
			500 kVA	500 kVA	500 kVA
Dimensions (W × D × H)	Packing excluded	mm	600 × 1000 × 2000	1000 × 600 × 2000	1000 × 1200 × 2000
	Packing included	mm	710 × 1120 × 2200	710 × 1120 × 2200	1310 × 1120 × 2200
Net weight		kg	600	608	824
Gross weight		kg	610	618	847
Color			Black ZP7021		
Protection degree, IEC (60529)			IP20 (front door open or closed)		

12.4 Electrical Characteristics (Input Rectifier)

Table 12.4 Rectifier AC Input (mains)

Item	Unit	Rated power (kVA)
		500
Rated AC input voltage ¹	Vac	380/400/415, 3-phase 4-wire (+PE) TN/TT/IT power distribution system
Input voltage range ²	Vac	176 to 276 (full load) 132 to 176 (derated to 70% load)
Frequency ²	Hz	50/60 (range: 40 to 70)
Power factor	kW/kVA, full load (half load)	0.99 (0.99)
Input current	A, rated ³	796
Total current harmonic distortion ⁴	%	3

1. Rectifiers operate at any of the rated supply voltages and frequencies without further adjustment.
2. At 305 V input mains the UPS maintains the specified output voltage at rated load without discharging a battery.
3. IEC62040-3/EN50091-3: at rated load, input voltage is 400 V, battery remains fully charged.
4. With input voltage at nominal value and voltage distortion THD_v ≤1.

12.5 Electrical Characteristics (Intermediate DC Circuit)

Table 12.5 Battery

Item	Unit	Rated power (kVA)
		500
Max. charging current ¹	A	150
Quantity of lead-acid cells (nominal)	Block	28 ~ 44 (12 Vdc) 500kVA: (40-44 full load, 38 derated to 95%, 36 derated to 90%, 34 derated to 85%, 32 derated to 80%, 30 derated to 75%, 28 derated to 70%)
Float voltage	V/cell (VRLA)	2.25 (selectable from 2.20 V/cell to 2.30 V/cell) Constant current and constant voltage charge mode
Temperature compensation	mV/°C/cell	-3.0 (selectable from 0 to -5.0 around 25 °C or 30 °C, or inhibit)
Ripple current	% C ₁₀	≤ 0.05 C ₁₀
Boost voltage	V/cell (VRLA)	2.35 (selectable from 2.30 to 2.35) Constant current and constant voltage charge mode Equalize Charge voltage should be settable, 2.3Vpc-2.4Vpc, 2.35Vpc default, for lead acid battery
Boost control		Float-boost current trigger 0.050C ₁₀ (selectable from 0.001 to 0.070) Boost-float current trigger 0.010C ₁₀ (selectable from 0.001 to 0.025) 8hr safety time timeout (selectable from 8hr to 30hr) Boost mode inhibit also selectable
EOD voltage	V/cell (VRLA)	1.67

1. Nominal input voltage and input frequency.

12.6 Electrical Characteristics (Inverter Output)

Table 12.6 Inverter output (to critical load)

Item	Unit	Rated power (kVA)
		500
Rated AC voltage ¹	Vac	380/400/415 (3-phase 4-wire, with neutral reference to the bypass neutral)
Frequency ²	Hz	50/60
Power factor		1
Overload	%	<105, long time; <110, 1hr; <125, ≤10 min; <150, ≤1 min; >150, ≤200 ms
Max. short circuit current of inverter	A	240% (rated output current), 200ms
Non-linear load capability	kVA	100
Steady state voltage stability	%	±1
Transient voltage response	%	±5
Total voltage harmonic distortion	%	< 2 (linear load), < 4 (non-linear load ³)
Synchronisation window	Hz	Upper limit: 0.5 Hz, 1 Hz, 2 Hz, 3 Hz, +10%; Default: +10%. Lower limit: -0.5 Hz, -1 Hz, -2 Hz, -3 Hz, -10%; Default: -10%
Slew rate (max. change rate of synchronisation frequency)	Hz/s	0.6; setting range: 0.1 to 3
Transfer time	ms	Frequency converter mode: transfer without interruption 0ms; transfer with interruption < =5ms; ECO mode: 4ms; Dynamic online mode: 0ms.

1. Factory set to 380 V, 400 V or 415 V can be selected by service engineer at site.
2. Factory set to 50 Hz or 60 Hz can be selected by service engineer at site. Note that the system frequency can be changed only when the UPS is on bypass. It is strictly prohibited to change the system frequency when the UPS is on inverter.
3. EN 50091-3 (14.58) crest factor 3:1, non-linear load.

12.7 Electrical Characteristics (Bypass Input)

Table 12.7 Bypass input

Item		Unit	Rated power (kVA)
			500
Rated AC voltage ¹		Vac	380/400/415, 3-phase 4-wire, sharing neutral with the rectifier input and providing common reference to the output
Rated current	380 V	A	760
	400 V	A	722
	415 V	A	696
Frequency ²		Hz	50/60
Bypass voltage tolerance		%Vac	Upper limit: +10, +15 or +20, default: +15 Lower limit: -10, -20, -30 or -40, default: -20
Bypass frequency tolerance		%	±10

1. Factory set to 380 V, 400 V or 415 V can be selected by service engineer at site.
2. Factory set to 50 Hz or 60 Hz can be selected by service engineer at site.

12.8 Efficiency and Loss

Table 12.8 Efficiency and loss

Item	Unit	Rated power (kVA)
		500
Rated normal mode (full load) loss	kW	22.5
Rated normal mode (no load) loss	kW	2
ECO mode (full load) loss	kW	5
Dual-conversion mode efficiency	Up to 96.8%	
ECO mode efficiency	Up to 99%	
Dynamic online mode efficiency*	Up to 98.8%	
Max. Flow	m ³ /h	5100
*Conditions Apply		

This page intentionally left blank

Appendices

Appendix A: Glossary

AC	Alternating current
BCB	Battery circuit breaker
CSA	Cross sectional area
DC	Direct current
EIB	External interface board
EMC	Electromagnetic compatibility
EMI	Electromagnetic interference
EOD	End-of-discharge
EPO	Emergency power off
GHMI	Ground Human Machine Interface
I/O	Input/output
IGBT	Integrated gate bipolar transistor
LBS	Load bus synchronizer
LCD	Liquid crystal display
LED	Light-emitting diode
PC	Personal computer
PE	Protective earth
RCCB	Residual current circuit breaker
RCD	Residual current detector
REPO	Remote emergency power off
SCR	Silicon-controlled rectifier
SNMP	Simple network monitoring protocol
STS	Static transfer switch
SVPWM	Space vector pulse width modulation
UPS	Uninterruptible power system
VRLA	Valve-regulated lead-acid

Appendix B: Hazardous Substances and Content

Parts	Hazardous substances					
	Plumbum	Hydrargyru	Cadmium	Chrome ⁶⁺	PBB	PBDE
	Pb	Hg	Cd	Cr (VI)	PBB	PBDE
Hex copper stud	x	○	○	○	○	○
PCBA	x	○	○	○	○	○
AC capacitor	x	○	○	○	○	○
DC capacitor	x	○	○	○	○	○
Fan	x	○	○	○	○	○
Cables	x	○	○	○	○	○
LCD	x	x	○	○	○	○
Sensors	x	○	○	○	○	○
Large-medium power magnetic components	x	○	○	○	○	○
Circuit breaker/rotating switch	x	○	○	○	○	○
Semiconductors	x	○	○	○	○	○
Battery (when applicable)	x	○	○	○	○	○
Insulation monitoring device (when applicable)	x	○	○	○	○	○
This table is made following the regulation of SJ/T 11364.						
○ : Means the content of the hazardous substances in all the average quality materials of the parts is within the limits specified in GB/T 26572						
x: Means the content of the hazardous substances in at least one of the average quality materials of the parts is outside the limits specified in GB/T 26572.						
About battery: Generally follow the environmental protection use period of the battery, otherwise five years.						
Applicable scope: Liebert® APM Plus 500 kVA UPS						

Appendix C: Disposal After End of Product (Applicable for India)

Battery waste:

Disposal of battery waste as per local regulations. In India, dispose to authorized recyclers as mentioned under current Battery waste management act/rules of the relevant state pollution control board. List of authorized recyclers are available on the relevant website of state pollution control.

E-waste:

Disposal of battery waste as per local regulations. In India, dispose to authorized recyclers as mentioned under current E-waste act/rules of the relevant state pollution control board. List of authorized recyclers are available on the relevant website of state pollution. Vertiv has list of collection centre for e-waste available at below mentioned site:

<https://www.vertiv.com/en-in/about/e-waste-management/>

Packing waste:

Disposal of battery waste as per local regulations.

Plastic waste:

Disposal of battery waste as per local regulations.

This page intentionally left blank

Connect with Vertiv on Social Media



<https://www.facebook.com/vertiv/>



<https://www.instagram.com/vertiv/>



<https://www.linkedin.com/company/vertiv/>



<https://www.twitter.com/Vertiv/>



Vertiv.com | Vertiv Headquarters, 505 N Cleveland Ave, Westerville, OH 43082 USA

©2023 Vertiv Group Corp. All rights reserved. Vertiv™ and the Vertiv logo are trademarks or registered trademarks of Vertiv Group Corp. All other names and logos referred to are trade names, trademarks or registered trademarks of their respective owners. While every precaution has been taken to ensure accuracy and completeness here, Vertiv Group Corp. assumes no responsibility, and disclaims all liability, for damages resulting from use of this information or for any errors or omissions.

SL-71071_REVC_12-23/BOM: 31014395