

UPS Technology Comparison

Fact Sheet



Benefits

The Vertiv™ Liebert® GXT5 is an online double conversion UPS solution which offers premium power outage protection and continuous power conditioning in a compact and flexible rack/tower design.



The Vertiv™ Liebert® PSI5 Lithium-Ion UPS is a line interactive UPS that delivers up to 50% lower total cost of ownership vs. comparable VRLA battery models, lighter package. This UPS offers faster charge times and up to 10x more charge/discharge cycle as well.



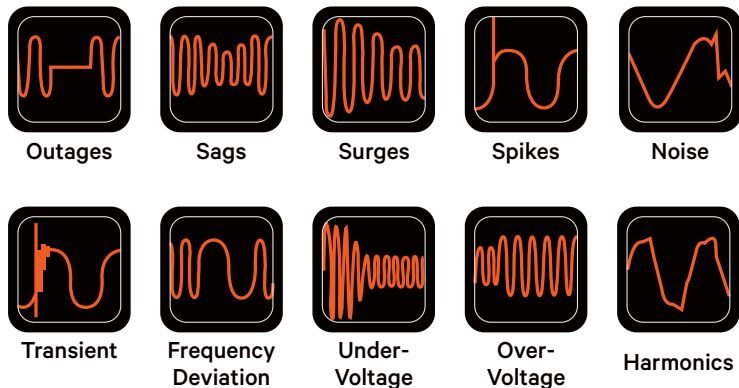
UPS Technology Comparison

Feature	Standby	Line Interactive	On-line Conversion
Zero Transfer Time	No	No	Yes
Frequency Regulation	No	No	Yes
Voltage Regulation	No	Some	Yes
Eliminates Noise and Transients	Some	Some	Yes
Generates New Sine Wave Continuously	No	No	Yes
Power Outage Protection	Yes	Yes	Yes
Internal Filtered Dynamic By-Pass	No	No	Yes
Power Factor Correction	No	No	Yes
Harmonic Distortion Correction	No	No	Yes

On-line Double Conversion

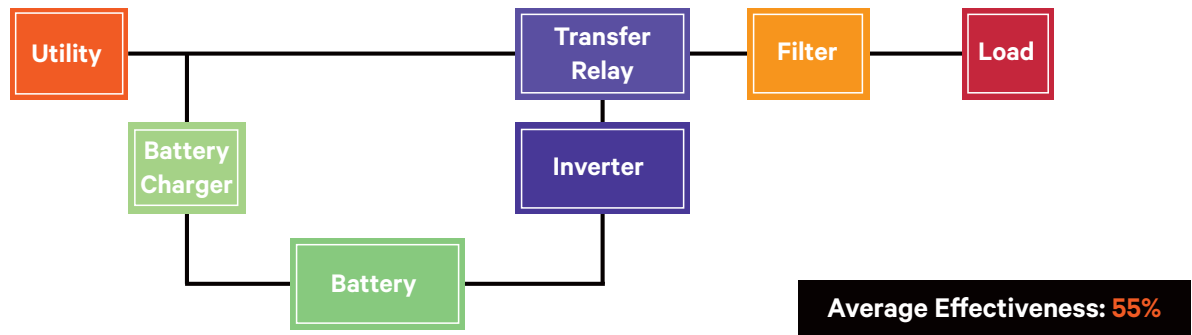
Features	Benefits
Zero Transfer Time	Eliminates Power Interruption
Frequency Regulation	Output Frequency is Stable No Transfer to Battery
Voltage Regulation	No Transient Causing Boost Improved Battery Life
Eliminates Noise and Transients	Eliminates No Fault Founds Reduces Hardware Failure Reduces Data Corruption
Generates New Sine Wave Continuously	Reduces Distortion from Input Power Source
Power Outage Protection	Allows Shutdown of Critical Files Protects Loss of Data
Internal Filtered Dynamic By-Pass	Alternate Power Path Increased System Output Voltage
Power Factor Correction	Uses Input Power More Efficiently
Harmonic Distortion Correction	Reduces Waveform Distortion

Damaging Power Problems

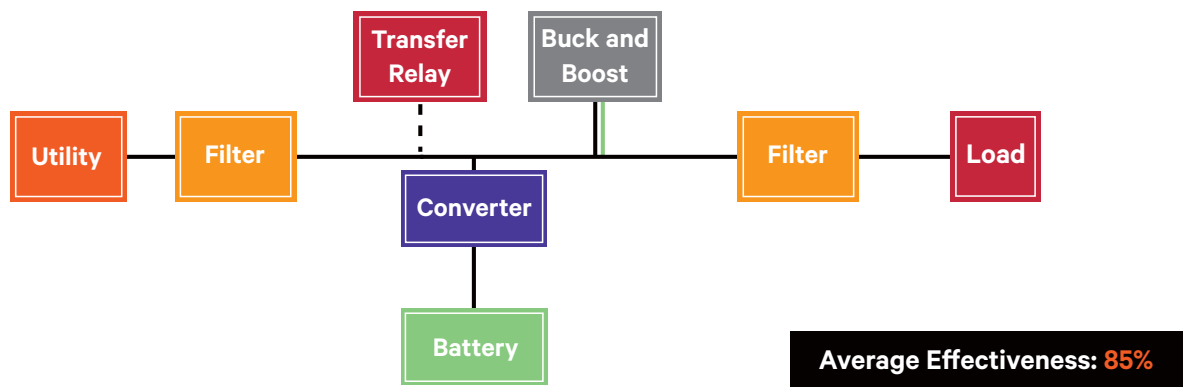


Technology Comparison: UPS Power Flow and Effectiveness

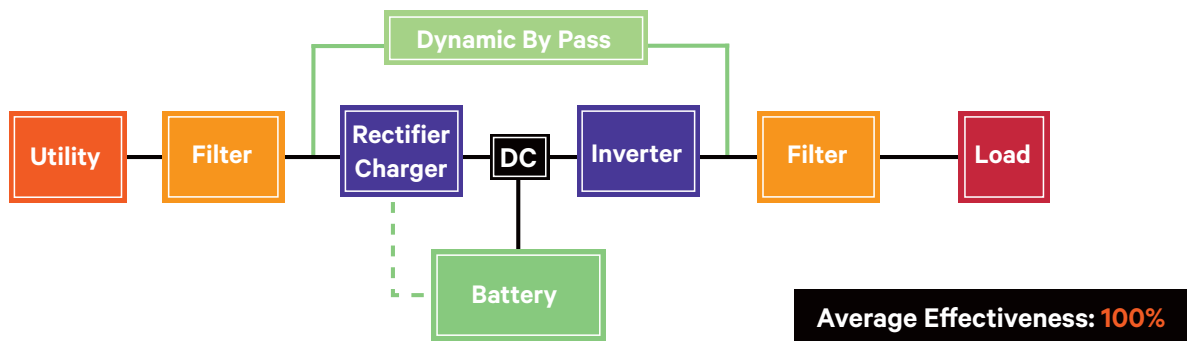
STANDBY TECHNOLOGY | GOOD



LINE INTERACTIVE TECHNOLOGY | BETTER



ON-LINE DOUBLE CONVERSION TECHNOLOGY | BEST



To access the product warranty process, optimize your after-sales experience, and obtain more information, please register your Vertiv products at [Vertiv.com/ProductRegistrationLATAM](https://www.vertiv.com/ProductRegistrationLATAM)