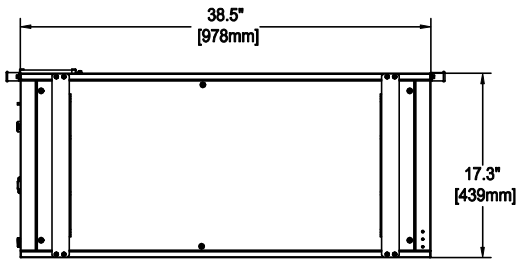
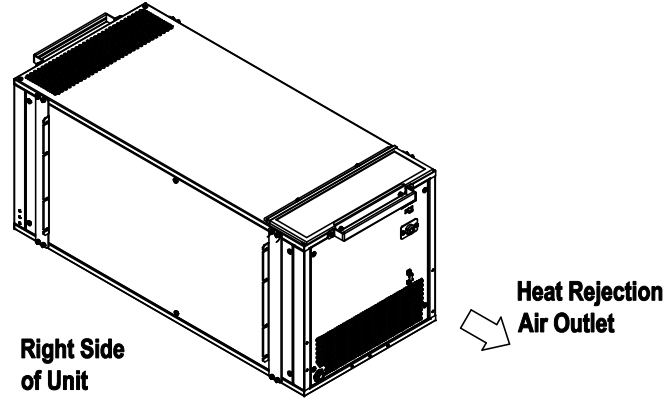
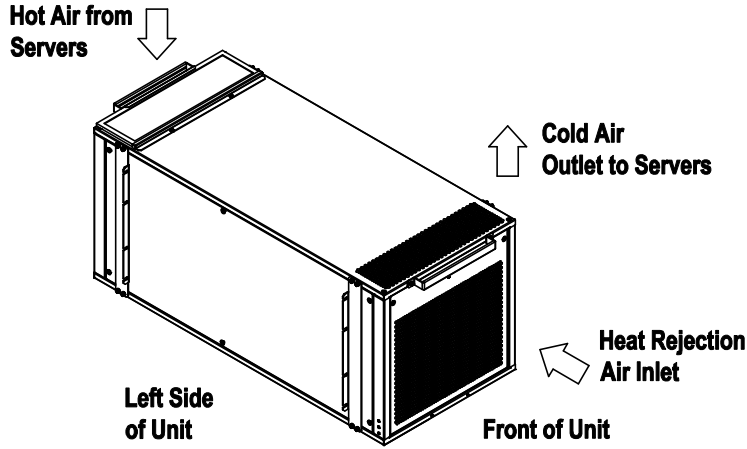
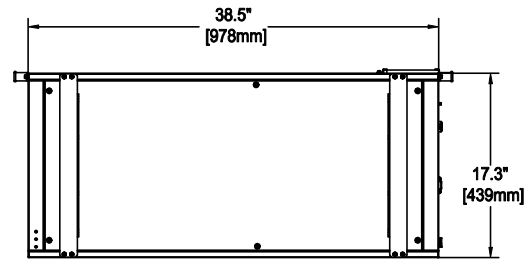


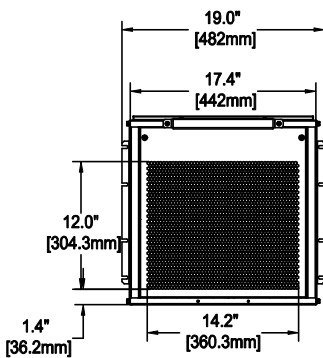
## VRC DIMENSIONAL DATA



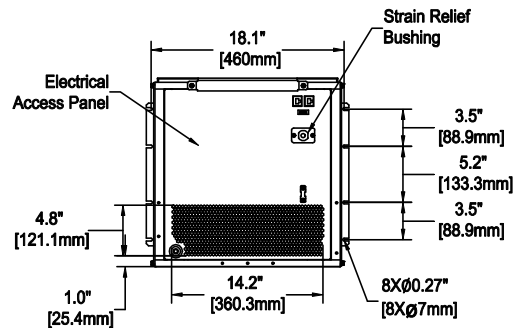
Left Side of Unit



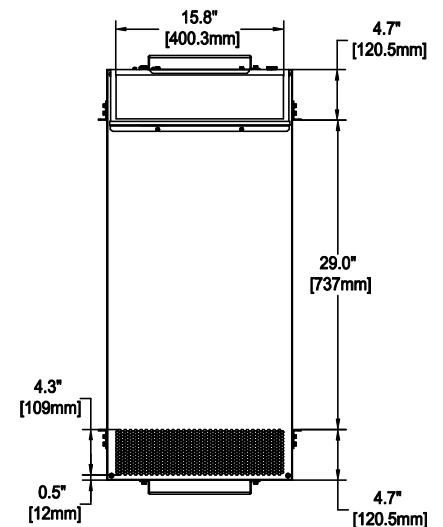
Right Side of Unit



Front of Unit



Rear of Unit

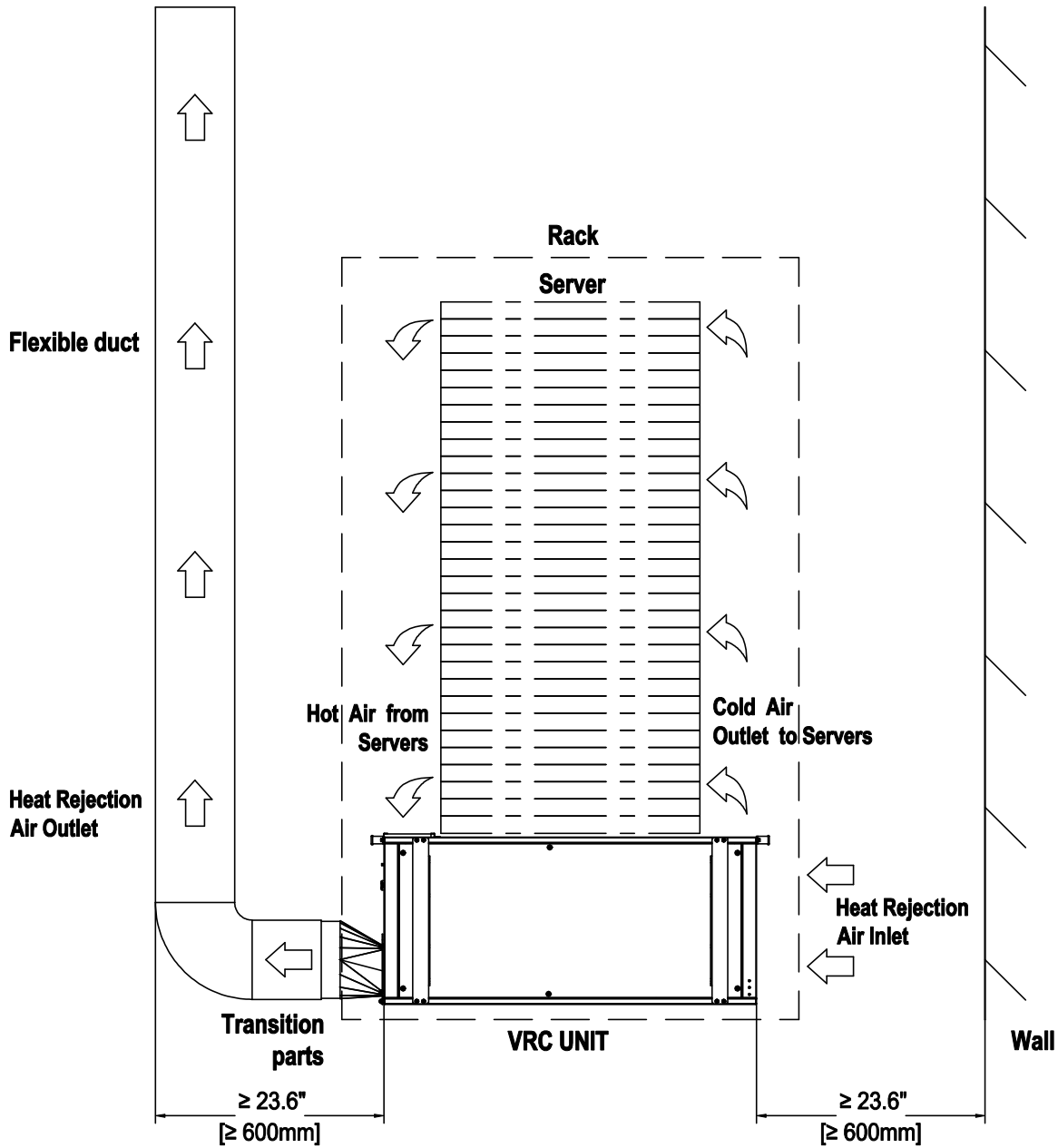


Top of Unit

MODEL #	MODULE WEIGHT
60 HZ	lbs. (kg) net
VRC100/101	159(72)
VRC102	163(74)

## VRC DIMENSIONAL DATA

### VRC AIRFLOW CLEARANCE REQUIREMENTS



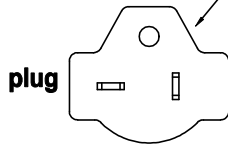
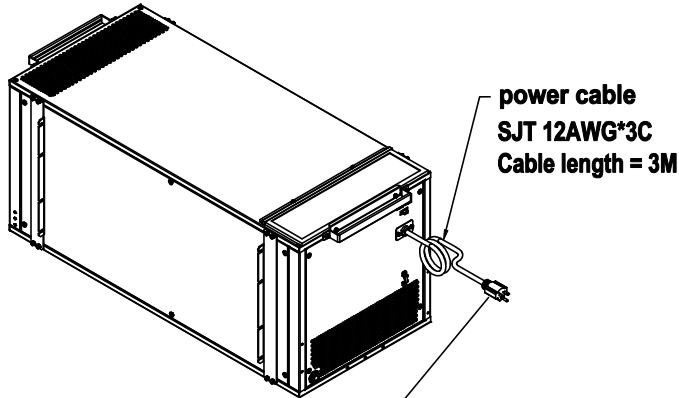
**NOTE :**  
 Please also refer to your Rack Front / Back Clearance Requirements and respect the maximum value according to your installation.

# LIEBERT VRC100/101/102

## ELECTRICAL FIELD CONNECTIONS

### VRC100

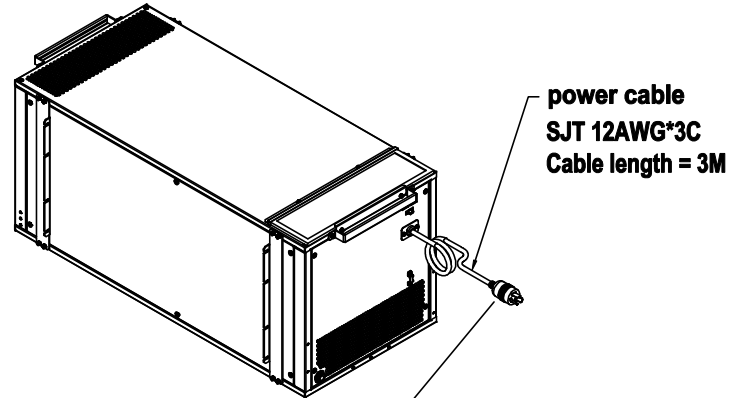
**POWER INPUT: 120VAC 60Hz**



**NEMA: 5-20P**

### VRC101

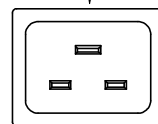
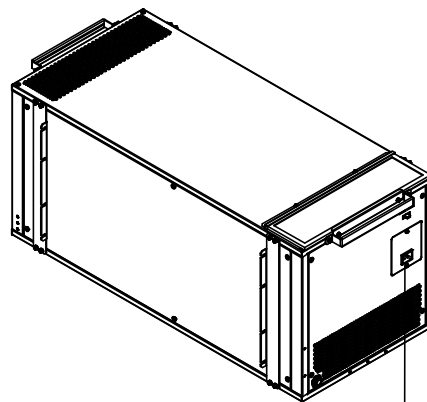
**POWER INPUT: 208/230VAC 60Hz**



**NEMA: L6-20P**

### VRC102

**POWER INPUT: 230VAC 50/60Hz**

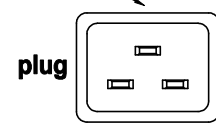
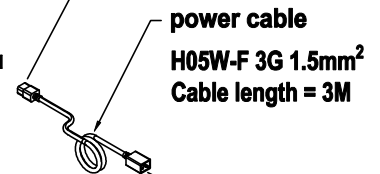


**IEC60320 : C20**



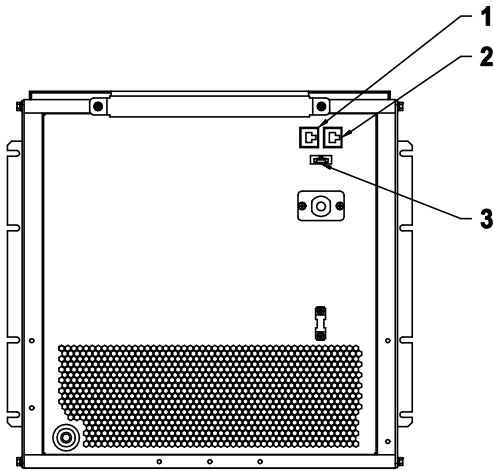
**IEC60320 : C19**

+

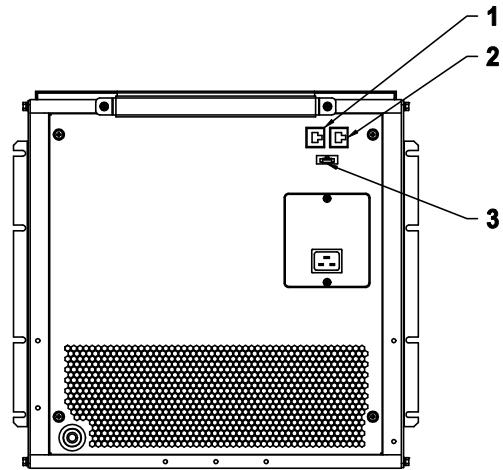


**IEC60320 : C20**

## ELECTRICAL FIELD CONNECTIONS



**VRC100 / 101**



**VRC102**

1	RS 485-1 , With 12 V power supply
2	RS 485-2
3	DISPLAY

**NOTE :**

The VRC1XX has only one slave port for master (Modbus RTU slave) . It can not support two Modbus RTU masters simultaneously .