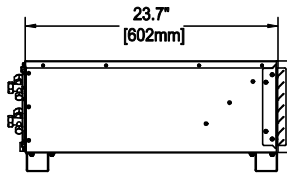
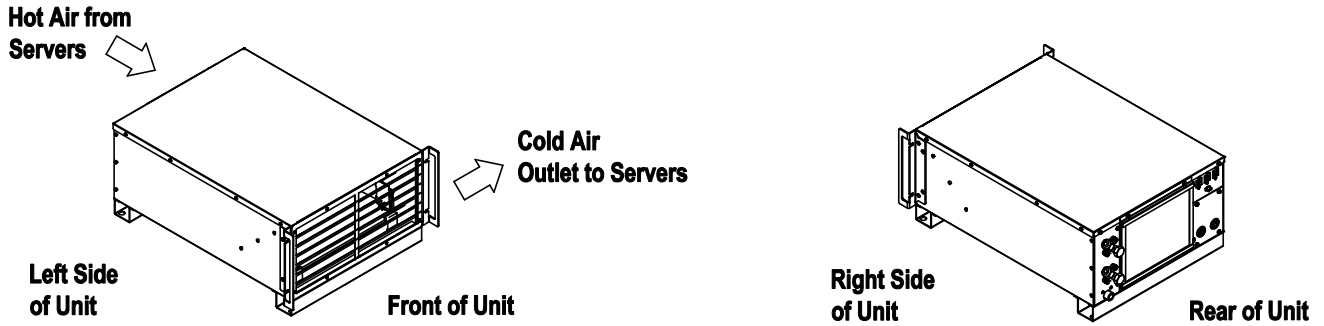
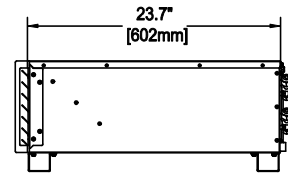


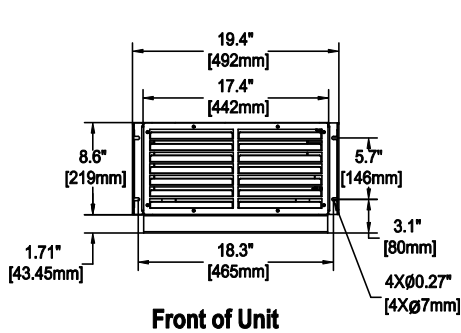
VRC DIMENSIONAL DATA



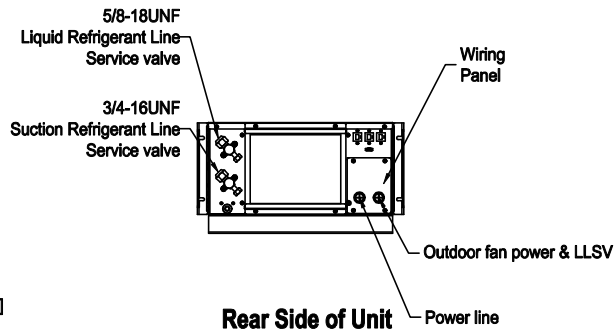
Left Side of Unit



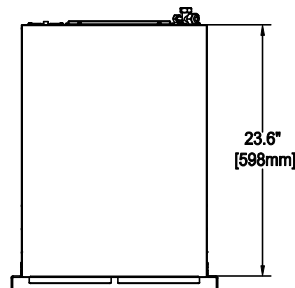
Right Side of Unit



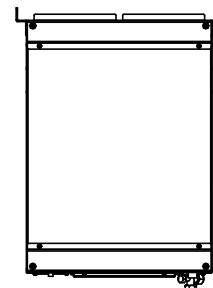
Front of Unit



Rear Side of Unit



Top of Unit

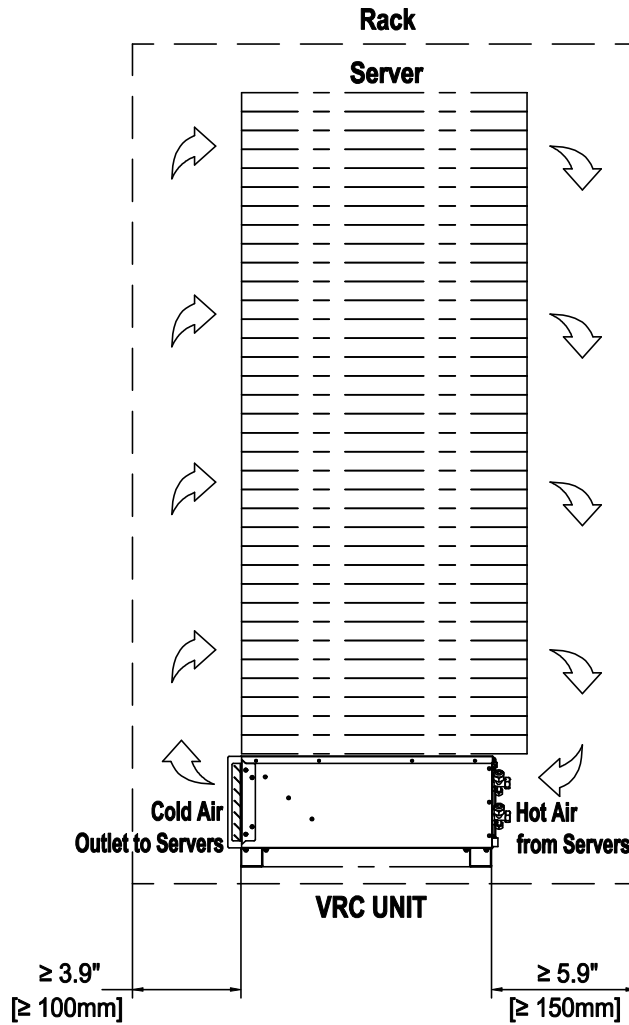


Bottom of Unit

MODEL #	MODULE WEIGHT
60 HZ	lbs. (kg) net
VRC200/201/202	50(23)

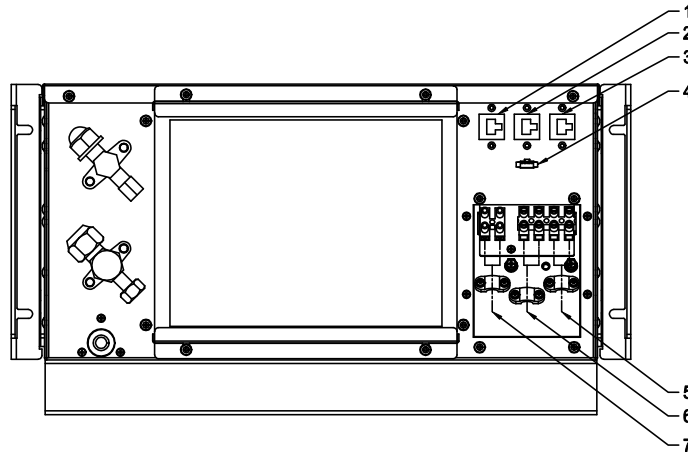
VRC DIMENSIONAL DATA

VRC AIRFLOW CLEARANCE REQUIREMENTS



NOTE :
Please also refer to your Rack Front / Back Clearance Requirements and respect the maximum value according to your installation.

ELECTRICAL FIELD CONNECTIONS

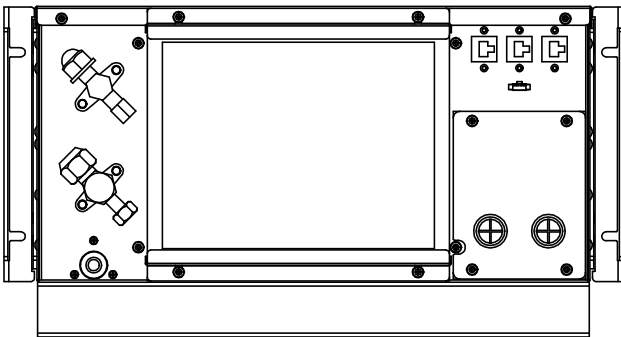


Rear of Unit [Panels removed for clarity]

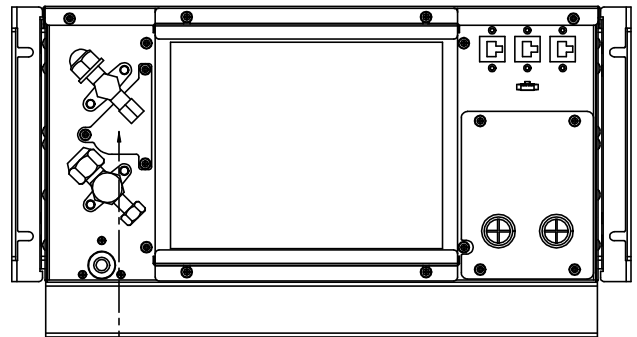
No.	Name	Description
1	RS 485-1	RS485 port for connection of SIC card (Monitoring card) with 12V power supply
2	RS 485-2	RS485 port for connection of monitoring without power supply
3	Compressor Communication	Communication to compressor located in outdoor unit
4	DISPLAY	Display connection port
5	Outdoor Fan Power	Power supply to outdoor fan
6	LLSV	Power supply to Liquid Line Solenoid Valve (LLSV) located in outdoor unit
7	Power Line	Power input

NOTE :

The VRC20X has only one slave port for master (Modbus RTU slave) . It can not support two Modbus RTU masters simultaneously .



VRC200 / 201



Refrigerant leak detection panel

VRC202