

VERTIV™ BBE TV SERIES

TV80 Broadband Edge Enclosures



KEY FEATURES

- Round-cornered square-design housing provides large capacity; maximum work area to install and maintain CATV distribution equipment.
- Padlock hasp and factory provided knockouts provide maximum security and flexibility.
- Removable upper cover for efficient equipment installation.
- Units may be self-supporting or stake mounted for installation versatility.
- Provisions in backplate for accessory mounting brackets for easy internal mounting of distribution equipment.
- Our unique multistage gray-green finishing process meets or exceeds EPA standards, and provides a tough corrosion-resistant finish for longer life.

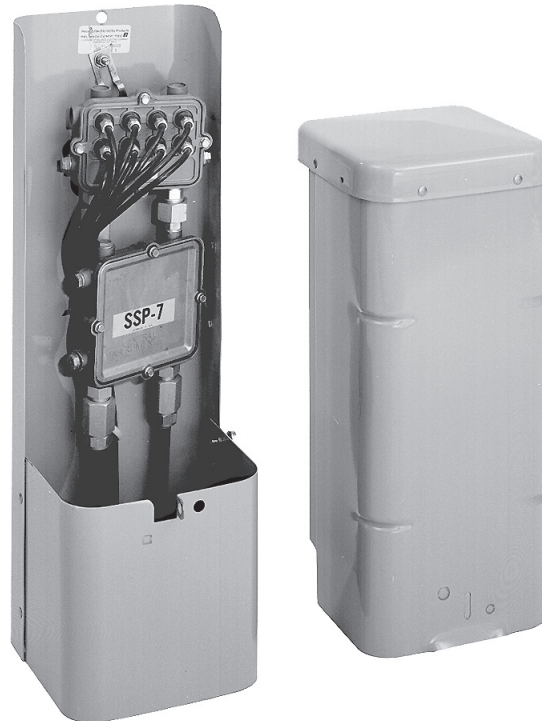
Description

The Vertiv™ BBE TV Series, TV80 and TV80SB Classic CATV pedestals are round-cornered square-design above-ground housings that provide maximum capacity and work area to install and maintain CATV distribution equipment. Pedestals are manufactured of heavy gauge mill-galvanized steel, treated with a unique finishing process for longer life. The housing components are: backplate/lower front cover assembly, upper front cover/cap assembly with hand pocket, and internal mounting hardware and brackets. When equipped with an SA80 BRACKET, the TV80 pedestal will house an SA 4-port interdiction unit. The TV80SB version has a tap mounting bracket and 19-in. mounting stake. Ridges in the pedestal ensure pedestal strength and stability.

The TV80 and TV80SB are self-supporting or may be stake mounted for additional stability. Factory provided knockouts and padlock hasp offer several security options.

Application

TV80 enclosures serve as above-ground pedestal housings for taps, couplers, and/or splitters.

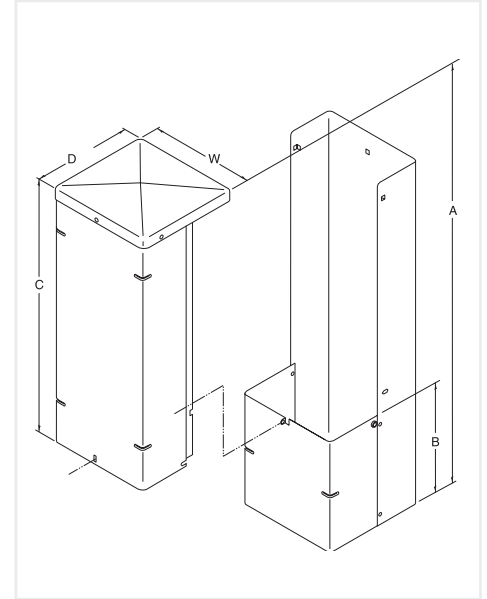


TV80SB

Dimensions and Ordering Information

CATALOG NUMBER	PART NUMBER	A	B	C	D	W
TV80	F605830	25-in.	8-in.	16-1/2-in.	8-1/8-in.	8-1/8-in.
TV80SB*	F605828	25-in.	8-in.	16-1/2-in.	8-1/8-in.	8-1/8-in.
TV80EXTSB*	F605779	31-in.	14-in.	16-1/2-in.	8-1/8-in.	8-1/8-in.

* TV80SB and TV80EXTSB are equipped with an offset bracket and 19-in. stake for mounting distribution taps.
 NOTE: All locks, optional mounting stakes, and brackets must be ordered separately and will be shipped separately.



Accessories

CATALOG NUMBER	PART NUMBER	DESCRIPTION
Stakes:		
MS1324	F603272	24-in. mounting stake with 3/8-in. mounting hardware
MS1332	F602132	32-in. mounting stake with 3/8-in. mounting hardware
MS1342	F604080	42-in. mounting stake with 3/8-in. mounting hardware
Mounting Brackets:		
L	F601980	3-in. L bracket with 1/4-in. mounting hardware
OS	F606793	Offset bracket with 1/4-in. mounting hardware