

NetSure™ -48 VDC Power System

User Instructions, Section 6010 (Issue N, January 12, 2015)

Specification Number: 582136700

Model Number: 502NGFB

This page is intentionally blank.

Table of Contents

Admonishments Used In This Document	ii
Important Safety Instructions	iii
General Safety	iii
Voltages.....	iii
Battery	iii
Handling Equipment Containing Static Sensitive Components.....	iii
Static Warning	iv
System Overview	1
Preface	1
System Description.....	1
Operating Procedures	2
Controller and Rectifier	2
List KG GMT Load Distribution Fuse Panel	2
Maintenance	2
Important Safety Instructions.....	2
System Maintenance Procedures	2
Troubleshooting and Repair	3
Contact Information	3
Controller and Rectifiers	3
Controller Configuration.....	3
System Troubleshooting Information	3
Replacement Information	4
Replacement Procedures	4

Admonishments Used In This Document



DANGER! Warns of a hazard the reader **will** be exposed to that will **likely** result in death or serious injury if not avoided. (ANSI, OSHA)



WARNING! Warns of a potential hazard the reader **may** be exposed to that **could** result in death or serious injury if not avoided. This admonition is not used for situations that pose a risk only to equipment, software, data, or service. (ANSI)



CAUTION! Warns of a potential hazard the reader **may** be exposed to that **could** result in minor or moderate injury if not avoided. (ANSI, OSHA) This admonition is not used for situations that pose a risk only to equipment, data, or service, even if such use appears to be permitted in some of the applicable standards. (OSHA)



ALERT! Alerts the reader to an action that **must be avoided** in order to protect equipment, software, data, or service. (ISO)



ALERT! Alerts the reader to an action that **must be performed** in order to prevent equipment damage, software corruption, data loss, or service interruption. (ISO)



FIRE SAFETY! Informs the reader of fire safety information, reminders, precautions, or policies, or of the locations of fire-fighting and fire-safety equipment. (ISO)



SAFETY! Informs the reader of general safety information, reminders, precautions, or policies not related to a particular source of hazard or to fire safety. (ISO, ANSI, OSHA)

Important Safety Instructions

General Safety



DANGER!

YOU MUST FOLLOW APPROVED SAFETY PROCEDURES.

Performing the following procedures may expose you to hazards. These procedures should be performed by qualified technicians familiar with the hazards associated with this type of equipment. These hazards may include shock, energy, and/or burns. To avoid these hazards:

- The tasks should be performed in the order indicated.
- Remove watches, rings, and other metal objects.
- Prior to contacting any uninsulated surface or termination, use a voltmeter to verify that no voltage or the expected voltage is present.
- Wear eye protection.
- Use double insulated tools appropriately rated for the work to be performed.

Voltages

AC Input Voltages



DANGER! This system operates from AC voltage capable of producing fatal electrical shock. AC input power must be completely disconnected from the branch circuits wiring used to provide power to the system before any AC electrical connections are made. **DO NOT** apply AC power to the system until all electrical connections have been completed and checked.

DC Input/Output Voltages



DANGER! This system produces DC Power and may require battery to be connected to it. Although the DC voltage is not hazardously high, the rectifiers and/or battery can deliver large amounts of current. Exercise extreme caution not to inadvertently contact or have any tool inadvertently contact a battery or output terminal or exposed wire connected to a battery or output terminal. **NEVER** allow a metal object, such as a tool, to contact more than one termination or battery terminal at a time, or to simultaneously contact a termination or battery terminal and a grounded object. Even a momentary short circuit can cause sparking, explosion, and injury.

Battery



WARNING! Correct polarity must be observed when connecting battery leads.



WARNING! Special safety precautions are required for procedures involving handling, installing, and servicing batteries. Observe all battery safety precautions in this manual and in the battery instruction manual. These precautions should be followed implicitly at all times.



WARNING! A battery can present a risk of electrical shock and high short circuit current. Servicing of batteries should be performed or supervised only by properly trained and qualified personnel knowledgeable about batteries and the required precautions.

The following precautions should be observed when working on batteries:

- Remove watches, rings, and other metal objects.
- Eye protection should be worn to prevent injury from accidental electrical arcs.
- Use certified and well maintained insulated tools. Use double insulated tools appropriately rated for the work to be performed. Ensure that wrenches with more than one working end have only one end exposed.
- Dispose of used batteries according to the instructions provided with the batteries. Do not dispose of batteries in a fire. They may explode.

ALWAYS FOLLOW THE BATTERY MANUFACTURER'S RECOMMENDATIONS AND SAFETY INSTRUCTIONS.



CAUTION! Performing maintenance and/or troubleshooting procedures may interrupt power to the loads, if battery reserve is not sufficient.

Handling Equipment Containing Static Sensitive Components



ALERT! Installation or removal of equipment containing static sensitive components requires careful handling. Before handling any equipment containing static sensitive components, read and follow the instructions contained on the Static Warning Page.

Static Warning



The printed circuit cards used in this equipment contain static sensitive components. The warnings listed below must be observed to prevent damage to these components. Disregarding any of these warnings may result in personal injury or damage to the equipment.

1. Strictly adhere to the procedures provided in this document.
2. Before touching any static sensitive component or printed circuit card containing such a component, discharge all static electricity from yourself by wearing a wrist strap grounded through a one megohm resistor. Some wrist straps, such as Emerson Network Power Part Number 631810600, have a built-in one megohm resistor; no external resistor is necessary. Read and follow wrist strap manufacturer's instructions outlining use of a specific wrist strap.
3. Do not touch the traces or components on a printed circuit card containing static sensitive components. Handle the printed circuit card only by the edges that do not have connector pads.
4. After removing a printed circuit card containing a static sensitive component, place the printed circuit card only on conductive or anti-static material such as conductive foam, conductive plastic, or aluminum foil. Do not use ordinary Styrofoam™ or ordinary plastic.
5. Store and ship static sensitive devices or printed circuit cards containing such components only in static shielding containers.
6. If necessary to repair a printed circuit card containing a static sensitive component, wear an appropriately grounded wrist strap, work on a conductive surface, use a grounded soldering iron, and use grounded test equipment.

System Overview

Preface

This document (Section 6010) provides *User Instructions* for NetSure™ Power System Model **502NGFB**, Spec. No. **582136700**.

The complete Customer Documentation Package consists of...

System Installation Manual

- Power System Installation Instructions: Section 6009

System User Manual

- Power System User Instructions: Section 6010
- Rectifier Instructions: UM1R482000e
- Power System “System Application Guide”: SAG582136700
- Engineering Drawings

Controller User Manual

- NCU Controller User Instructions: UM1M830BNA
- ACU+ Controller User Instructions: UM1M820BNA
- SCU+ Controller User Instructions: UM1M521BNA

For factory settings of all configurable Controller parameters, refer to the Configuration Drawing (C-drawing) supplied with your Power System.

System Description

The NetSure™ 502NGFB DC Power System is a complete integrated power system containing rectifiers, intelligent control, metering, monitoring, and distribution. This power system consists of the following mounted in a 2RU high by 19” or 23” wide shelf.

Rectifier Modules

The 19” wide shelf accommodates two (2) Rectifier Modules. The 23” wide shelf accommodates three (3) Rectifier Modules. The Rectifier Module R48-2000e comes in 2000W power rating. The modules provide load power, battery float current, and battery recharge current during normal operating conditions. The Rectifier Modules are designed to provide constant power. They are designed with the latest patented switch-mode technology using DSP (Digital Signal Processing) functionality for efficient operation. This means that, within the normal operating ambient temperature range and input voltage range, the maximum available output power is a constant 2000W. Within these ranges, the Rectifier Modules operate in one of three modes, depending upon load demands. Transition between modes is completely

automatic. If ambient temperature rises above or input voltage falls below acceptable values, Rectifier Modules continue to operate but at derated output power levels.

- Constant Voltage Mode:** For any initial output voltage setting from 48 to 58 volts, output voltage remains constant regardless of load. This is the normal operating condition, in which loads are being supplied and batteries are float charged. Rectifier Modules operate in the Constant Voltage Mode unless load increases to the point where the product of load current and output voltage is approximately 2000W.
- Constant Power Mode:** As load increases above approximately 2000W (non-adjustable), output current continues to increase, but output voltage decreases as required to maintain constant output power. Rectifier Modules operate in the Constant Power Mode unless load continues to increase to the point where the current limit setting is reached.
- Constant Current Mode:** If load increases above the current limit setting, output voltage decreases linearly to maintain output current at current limit.

Controller

The controller controls the operation of the rectifier modules. The controller also provides power system control, metering, monitoring, and alarm functions.

NCU (NetSure Control Unit): The controller provides power system control (including optional low voltage battery disconnect (LVBD) and low voltage load disconnect (LVLD) control), rectifier control (including a charge control function), metering functions, monitoring functions, local/remote alarm functions, and connections for binary inputs and programmable relay outputs. The controller also supports rectifier temperature compensation if the system is equipped with a temperature probe(s). Temperature probe(s) may also be designated to monitor ambient temperature and/or battery temperature. The controller also provides data acquisition, system alarm management, and advanced battery and energy management. The controller contains a color TFT display and keypad for local access. The controller provides an Ethernet port and comes with comprehensive webpages for remote access. The controller has SNMP V3 capability for remote system management. The controller supports software upgrade via its USB port. Refer to the NCU Controller Instructions (UM1M830BNA) for more information.

ACU+ (Advanced Control Unit Plus): The controller provides power system control (including optional low voltage battery disconnect (LVBD) and low voltage load disconnect (LVLD) control), rectifier control (including a charge control function), metering functions,

monitoring functions, and local/remote alarm functions. The controller also supports rectifier temperature compensation if the system is equipped with a temperature probe(s). Temperature probe(s) may also be designated to monitor ambient temperature and/or battery temperature. The controller also provides data acquisition, system alarm management, and advanced battery and energy management. The controller contains an LCD display and keypad for local access. The controller provides an Ethernet port and comes with comprehensive webpages for remote access. The controller has SNMP capability for remote system management. The controller supports software upgrade via its USB port. Refer to the ACU+ Controller Instructions (UM1M820BNA) for more information.

SCU+ (Standard Control Unit Plus): The SCU+ provides Rectifier Module and optional Low Voltage Battery Disconnect (LVBD) or Low Voltage Load Disconnect (LVLD) control, metering functions, monitoring functions, and local/remote alarms. The SCU+ contains an LCD display and keypad for local access. It provides connection for binary inputs, programmable relay outputs, and a charge control function. The controller also supports rectifier temperature compensation if the system is equipped with a temperature probe (or multiple temperature probes connected via a Temperature Concentrator (SM TEMP)), and ambient temperature monitoring if equipped with a second temperature probe. The SCU+ also provides Ethernet connection and SNMP capability.

Distribution Unit

Various Distribution Unit options are available, as described in this document. The Distribution Unit can be equipped with an optional

Low Voltage Battery Disconnect (LVBD) or Low Voltage Load Disconnect (LVLD) contactor.

Operating Procedures

Controller and Rectifier

For operation instructions on these units, refer to the following documents.

- NCU Controller Instructions (UM1M830BNA)
- ACU+ Controller Instructions (UM1M820BNA)
- SCU+ Controller Instructions (UM1M521BNA)
- Rectifier Instructions (UM1R482000e)

List KG GMT Load Distribution Fuse Panel

Local Controls and Indicators

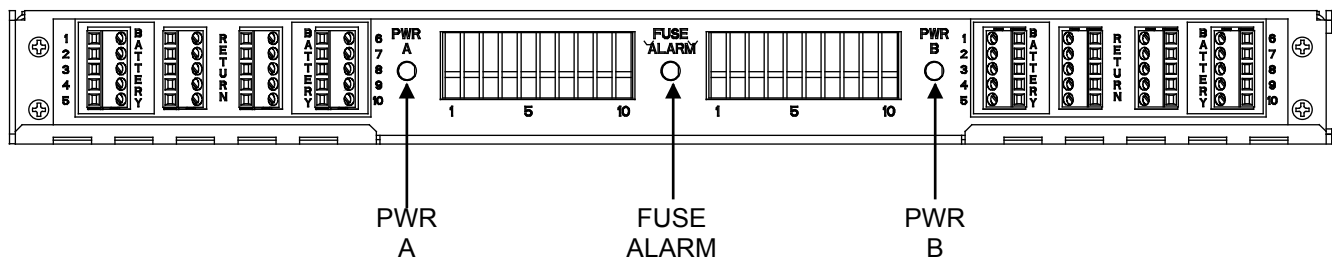
Refer to [Figure 1](#) for indicator locations.

PWR A and PWR B indicators: When illuminated (green), indicate power is supplied to the A and B sides, respectively.

Note: The split (A/B) input bus option provided on this panel is strapped for a single input in this Power System.

FUSE ALARM indicator: When illuminated (red), indicates a load distribution fuse is open. The open fuse provides a mechanical indicator visible through the fuse safety cover.

Figure 1. Indicator Locations (List KG)



Maintenance

Important Safety Instructions



DANGER! Adhere to the “Important Safety Instructions” presented at the front of this document.

System Maintenance Procedures

The maintenance procedures listed in [Table 1](#) should be performed and recorded at the recommended interval to ensure continual system operation.

The table references specific sections in the **User Instructions (Section 6010)** or the separate **Installation Instructions (Section 6009)** that help in performing these procedures.

Table 1. Maintenance Procedures to be Performed at 6-Month Intervals

PROCEDURE	REFERENCED IN
Check ventilation openings for obstructions such as dust, papers, manuals, etc.	--
Inspect and tighten all installer's connections.	Section 6009, <i>Making Electrical Connections</i> section.

Troubleshooting and Repair

Contact Information

Support contact information is provided at the back of this document.

Controller and Rectifiers

For troubleshooting and repair instructions on these units, refer to the following documents.

- NCU Controller Instructions (UM1M830BNA)
- ACU+ Controller Instructions (UM1M820BNA)
- SCU+ Controller Instructions (UM1M521BNA)
- Rectifier Instructions (UM1R482000e)

Controller Configuration

For factory settings of all configurable controller parameters, refer to the Configuration Drawing (C-drawing) supplied with your Power System.

System Troubleshooting Information

General

This system is designed for ease in troubleshooting and repair. The various indicators as described in the "Operating Procedures" section and the separate Controller and Rectifier *User Manuals* are designed to isolate failure to a specific element. Once the faulty element has been identified, refer to the next sections, "REPLACEMENT INFORMATION" and "REPLACEMENT PROCEDURES".

Troubleshooting Alarm Conditions on the Controller

The controller displays alarm conditions as listed in the Available Alarms section of the separate Controller *User Manual*. Programmable external alarm relays are also available. The separate Power System *Installation Manual* (Section 6009) lists the factory default alarm relay configurations. Your system may have different configurations than those listed. Refer to the Configuration Drawing (C-drawing) supplied with your Power System for your alarm relay configurations.

The controller's **Active Alarm** and **Alarm History** submenus allow the user to view alarm details. Refer to the separate Controller *User Manual* to access these menus.

Note: For all shelves equipped with battery disconnect circuit breakers, an open battery disconnect circuit breaker will not activate the fuse/circuit breaker alarm unless a battery (or a temporary test load) is connected to the system battery terminals.

Checking the NCU or ACU+ Controller's Current Limit Point after Adding or Removing a Rectifier

If a rectifier is added to the power system, the system current limit point will automatically increase by the percentage each existing rectifier was set to provide prior to the addition.

If a rectifier is removed from the system (and the Rect Comm Fail alarm is reset), the current limit point will remain unchanged unless the capacity of the remaining rectifiers is not sufficient to maintain the present current limit point. If that happens, the current limit point will automatically increase to the maximum (121% of the remaining rectifiers).

It is recommended that the current limit point be checked whenever a rectifier is added to or removed from the power system.

When setting total rectifier current limit, the set point to each unit is the total set point divided by the number of units. For example, if the system contains five rectifiers and the current limit is set to 150 amps then each rectifier has a current limit set point of 30 amps. If one or more rectifiers are removed or fail it will take several seconds for the individual set points to the remaining rectifiers to be reset. In the example given, if one rectifier is removed the current limit set point will drop to 120 amps (30 amps times four remaining rectifiers) until the controller can send updated set points to the remaining rectifiers. This takes a couple communication cycles (several seconds) after which each rectifier would have a new set point of 37.5 amps for a total of 150 amps. The total current limit of the rectifiers should not be set such that the loss of the redundant rectifiers will cause this temporary set

point to drop below the actual maximum expected load. If batteries are used on the rectifier output, the batteries should support the load until the current limit set points can be re-established due to loss of a rectifier.

Refer to the ACU+ Instructions (UM1M820BNA) or NCU Instructions (UM1M830BNA) for a procedure.

Clearing a Rectifier Communications Fail Alarm after Removing a Rectifier

If a rectifier module is removed from the system, a rectifier communications failure alarm is generated. If the rectifier module will not be replaced, the alarm should be cleared.

Refer to the controller instructions for a procedure.

Clearing a Rectifier Lost Alarm

If the controller resets while a rectifier communications fail alarm is active, the rectifier communications fail alarm is replaced with a rectifier lost alarm. The alarm should be cleared.

Refer to the controller instructions for a procedure.

Replacement Information

Replacement Assemblies

When a trouble symptom is localized to a faulty Rectifier Module or Controller, that particular device should be replaced in its entirety. Other than a Rectifier Module fan replacement, no attempt should be made to troubleshoot or repair individual components on any Rectifier Module or Controller. Refer to the separate Controller or Rectifier Module User Manuals for replacement procedures.

Refer to SAG582136700 for replacement part numbers.

Replacement Procedures

Important Safety Instructions



DANGER! Adhere to the “Important Safety Instructions” presented at the front of this document.

Replacing a Rectifier Module

Refer to the separate Rectifier Module User Manual for a rectifier replacement procedure. Before replacing any Rectifier Modules, note the following:

In a Power System equipped with an NCU or ACU+ controller, the rectifier module being replaced is assigned by the controller the lowest available identification number. If desired, you can change the identification number. Refer to the ACU+ Instructions (UM1M820BNA) or NCU Instructions (UM1M830BNA) for a procedure.

Replacing a GMT Distribution Fuse (List 2 and 6 Shelves)

If a GMT distribution fuse opens; replace with the same type and rating, or equivalent. Refer to SAG582136700 for fuse replacement part numbers.

Refer to [Figure 2](#) and [Figure 3](#) as this procedure is performed.

Procedure

1. Adhere to the “Important Safety Instructions” presented at the front of this document. This procedure exposes the Distribution Unit. BATTERY VOLTAGE is present on the Distribution Unit.
2. Performing this procedure may activate external alarms. Do one of the following. If possible, disable these alarms. If these alarms cannot be easily disabled, notify the appropriate personnel to disregard any future alarms associated with this system.
3. Open the Distribution’s Unit front access panel.
4. Replace the open GMT fuse. Ensure a safety cover is installed over the new fuse.
5. Close the Distribution’s Unit front access panel.
6. Enable the external alarms, or notify appropriate personnel that this procedure is finished.
7. Ensure that there are no local or remote alarms active on the system.

Figure 2. GMT Distribution Fuse Replacement (List BF, LF and NF)

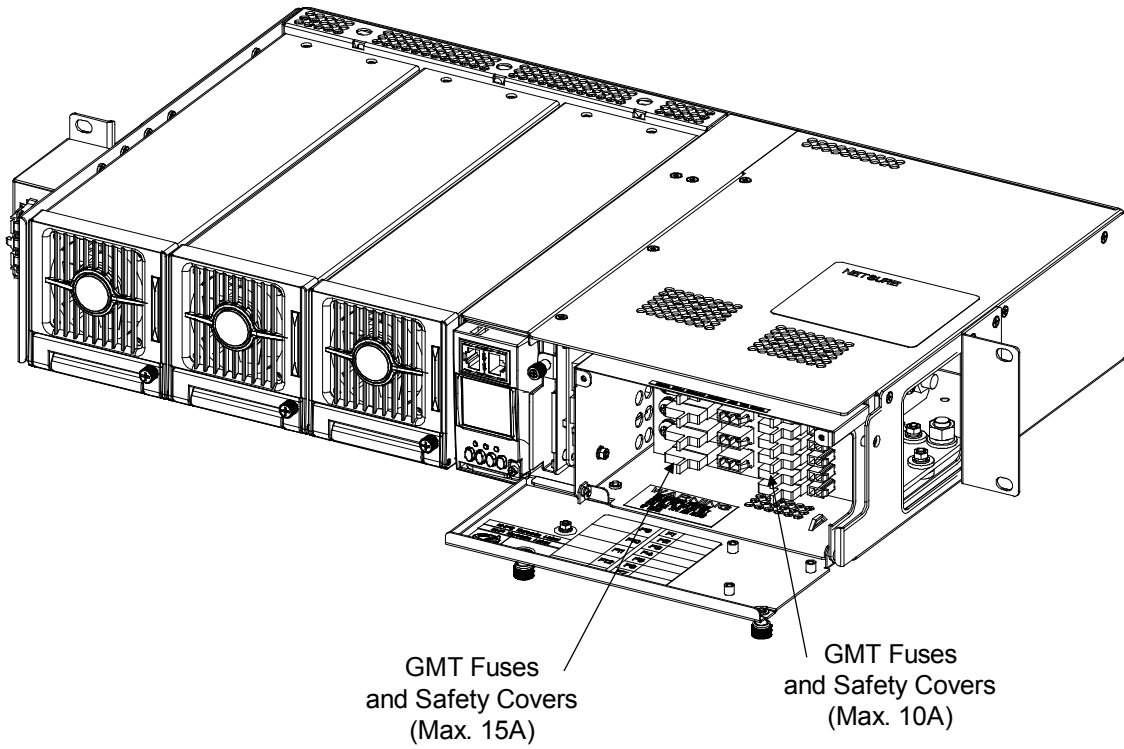
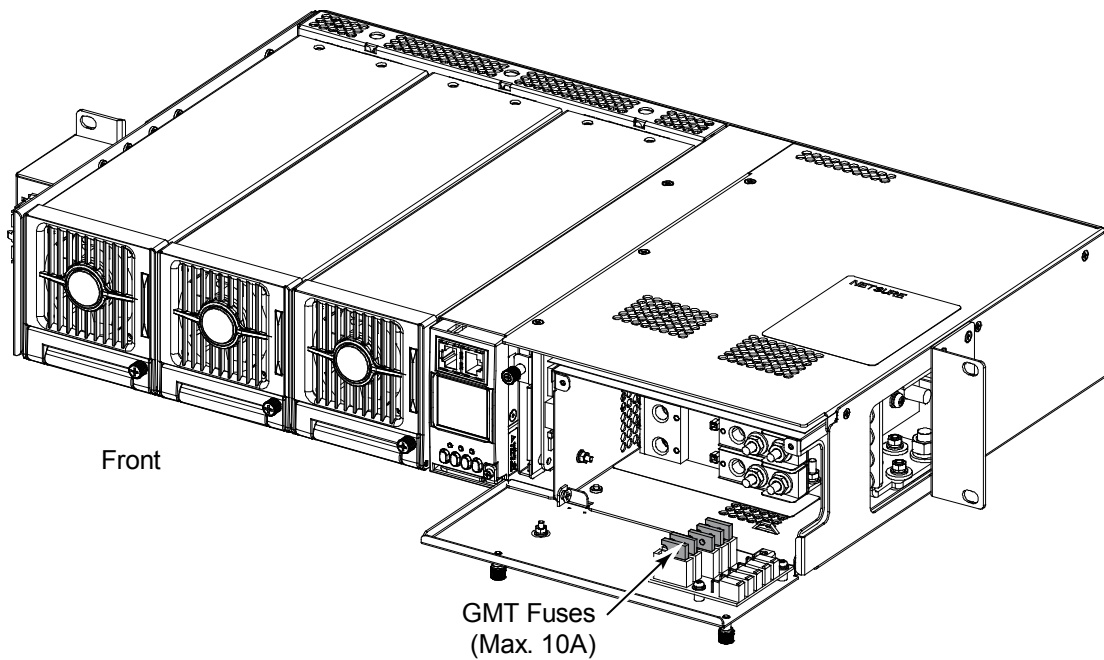


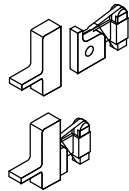
Figure 3. GMT Distribution Fuse Replacement (List BC, LC, NC, BA, LA and NA)



Replacing a GMT Distribution Fuse (List KG GMT Fuse Load Distribution Panel)

Load distribution fuses are located on the front panel of List KG. If replacement of a distribution fuse becomes necessary, replace only with Bussmann GMT type of the correct rating. Ensure a safety cover is installed on the replacement fuse, as shown in [Figure 4](#).

Figure 4. Safety Fuse Cover, Part No. 102774 (Bussmann GMT-Y)



Distribution Unit Replacement

If the Distribution Unit should need to be replaced, replace the complete Power/Distribution Shelf.

NetPerform™ Optimization Services

At Emerson Network Power, we understand the importance of reliable equipment – it’s critical to both your business and your bottom line. That is why we offer a wide array of services to meet all of your network infrastructure needs.

Customer Service (Pre-Shipment)

Email	CustomerService.ESNA@Emerson.com	Pricing and availability ^[1,2] , purchase orders, expediting requests and order tracking. Ask for your company’s dedicated Customer Service Associate.
Phone	1.800.800.1280 option 1	

Customer Support Center (Post-Shipment)

Email	ESNACustomerSupportCenter@Emerson.com	After an order has shipped, contact our Customer Support Center with related questions, concerns or claims.
Phone	1.956.661.6867	

Account Management

Email	AccountManagement.ESNA@Emerson.com	Provides quotes and bid responses for custom configured ^[2] DC power systems and outside plant enclosures for customers and channel partners (Reps, VARs & Distributors).
Phone	1.800.800.1280 option 2	

Spare Parts

Email	DCpower.Spares@Emerson.com OSP.Spares@Emerson.com	Pricing and purchase orders for spare parts, including but not limited to breakers, cables, fuses, rectifier fans, misc. breaker and fuse panels, enclosure fans, doors and switches, etc.
Phone	1.800.800.1280 option 5	

DC Power Depot Repair

Email	DCpower.Repair@Emerson.com	Creates and processes RMAs for depot repair and refurbishment. Determines repair and refurbishment lead times and pricing based on warranties/contractual agreements. Provides repair shipping information and status.
Phone	1.800.800.1280 option 6	

Technical Support

Email	DCpower.TAC@Emerson.com OSP.TAC@Emerson.com	Answers technical product and system questions; determines status of warranties and contractual agreements for repair.
Phone	1.800.800.5260	
Email	DCpowerReps.ESNA@Emerson.com	Provide quotes and bid responses for application specific configured DC power systems for Liebert DC power sales reps.
Phone	1.440.240.0639	

^[1] Contact Account Management for custom-configurations.

^[2] Contact Spare Parts for parts and accessories.

NetSure™ -48 VDC Power System

User Instructions, Section 6010 (Issue N, January 12, 2015)



The information contained in this document is subject to change without notice and may not be suitable for all applications. While every precaution has been taken to ensure the accuracy and completeness of this document, Emerson Network Power, Energy Systems, North America, Inc. assumes no responsibility and disclaims all liability for damages resulting from use of this information or for any errors or omissions. Refer to other local practices or building codes as applicable for the correct methods, tools, and materials to be used in performing procedures not specifically described in this document.

The products covered by this instruction manual are manufactured and/or sold by Emerson Network Power, Energy Systems, North America, Inc. This document is the property of Emerson Network Power, Energy Systems, North America, Inc. and contains confidential and proprietary information owned by Emerson Network Power, Energy Systems, North America, Inc. Any copying, use or disclosure of it without the written permission of Emerson Network Power, Energy Systems, North America, Inc. is strictly prohibited.

Names of companies and products are trademarks or registered trademarks of the respective companies. Any questions regarding usage of trademark names should be directed to the original manufacturer.

[EmersonNetworkPower.com/EnergySystems \(North America\)](http://EmersonNetworkPower.com/EnergySystems(NorthAmerica))
[EmersonNetworkPower.eu/EnergySystems \(EMEA\)](http://EmersonNetworkPower.eu/EnergySystems(EMEA))

© Emerson Network Power, Energy Systems, North America, Inc. 2015.

Business-Critical Continuity™, Emerson Network Power™, the Emerson Network Power logo, Emerson™ and Consider It Solved are service marks and trademarks of Emerson Electric Co. EnergyMaster™, eSure™, NetPerform™, NetReach™, NetSpan™, NetSure™ and NetXtend™ are trademarks of Emerson Network Power, Energy Systems, North America, Inc. Any other product, brand, or company names or logos are the property of the respective owner.

While every precaution has been taken to ensure accuracy and completeness herein, Emerson Electric Co. assumes no responsibility, and disclaims all liability, for damages resulting from use of this information or for any errors or omissions. Specifications subject to change without notice.

EMERSON. CONSIDER IT SOLVED.®