

# VERTIV™ BBE SE SERIES

BWIRE Broadband Edge Enclosures



## KEY FEATURES

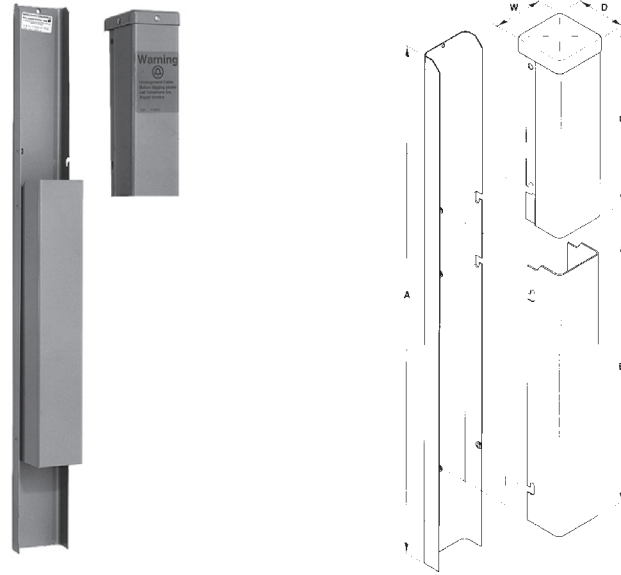
- Rugged metal housing made of mill-galvanized steel for durability and low maintenance costs.
- Our unique multi-stage paint process meets or exceeds EPA standards, and provides a tough corrosion-resistant finish for longer life.
- Both front covers are removable for easy access to service wire and buried cable.
- May be self-supporting, stake-, joint-, pole- or wall-mounted for flexible installation capability.

## Description

BWIRE is a green round-cornered square-design telephone wire storage enclosure.

## Application

The BWIRE storage enclosure is recommended for storing service wire ends until they are needed for unfinished houses. The BWIRE Enclosures will hold up to eight buried service wire ends that have been joined to a buried cable in a below-ground splice. It also houses one 50-ft. loop of buried service wire.



## Ordering Information

CATALOG NUMBER	PART NUMBER	DESCRIPTION	CAPACITY
BWIRE	F605955	36-in. gray-green storage pedestal	8 buried service wire ends or a 50-ft. loop of buried service wire

## Dimensions

CATALOG NUMBER	A	B	C	D	W
BWIRE	36-1/2-in.	18-in.	12-in.	4-in.	3 3/4-in.

VertivCo.com | Vertiv Headquarters, 1050 Dearborn Drive, Columbus, OH, 43085, USA

© 2018 Vertiv Co. All rights reserved. Vertiv and the Vertiv logo are trademarks or registered trademarks of Vertiv Co. All other names and logos referred to are trade names, trademarks or registered trademarks of their respective owners. While every precaution has been taken to ensure accuracy and completeness herein, Vertiv Co. assumes no responsibility, and disclaims all liability, for damages resulting from use of this information or for any errors or omissions. Specifications are subject to change without notice.