

NETSPAN™ CDE SERIES

CAD4, 6, 8 Enclosures



KEY FEATURES

- Rugged metal housing made of mill-galvanized steel for durability and low maintenance costs.
- Our unique multi-stage paint process meets or exceeds EPA standards, and provides a tough corrosion-resistant finish for longer life.
- Three convenient sizes; large capacity allows easy access to cable conductors.
- Swing-out locking divider plate provides positive grounding of all components.
- CAD enclosures can be self-supporting, stake, joint, pole- or wall-mounted for flexible installation capabilities.
- Removable lower front cover and service wire channel allow additional cable and wire placement without disturbing existing plant.

Distribution pedestals for buried cable plants.

Description

The NetSpan™ CDE Series CAD (Controlled Access Design) enclosures are round-cornered square-design fixed-count distribution pedestals. The CAD series enclosures are available in three convenient sizes: CAD4 (4-in. W), CAD6 (6-in. W), and CAD8 (8-in. W). In the CAD6 enclosure, a 70-in. tall unit may be ordered (CAD670). Included in the CAD series enclosure are a hinged divider plate with universal hole pattern (except CAD4) bonding bracket, grounding connector, flexible bonding braid, and a dielectric shield. Stakes are not included and may be ordered separately.

Application

The CAD enclosures serve as universal above-ground housings for buried cable plant using either fixed-count or preferred-count design. The CAD enclosures also allow aerial terminations through available knockouts.



CAD8

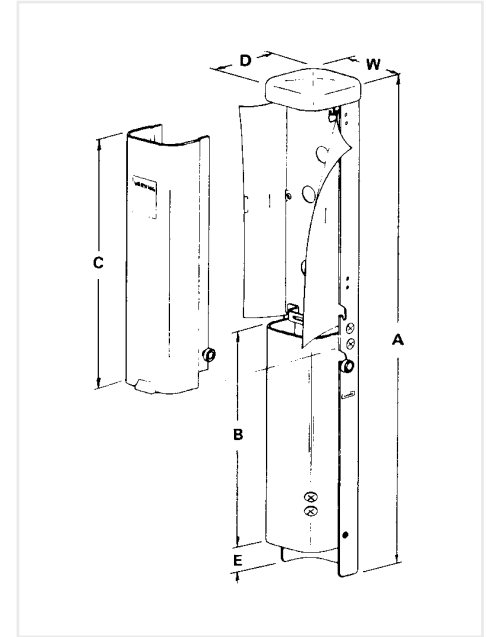
Dimensions

CATALOG NUMBER	A	B	C	D	W	E
CAD4	49-1/2-in.	20-9/16-in.	26-in.	4-7/8-in.	4-7/8-in.	3-in.
CAD6	50-in.	20-9/16-in.	26-in.	6-5/8-in.	6-5/8-in.	3-in.
CAD670	70-in.	38-in.	26-in.	6-5/8-in.	6-5/8-in.	3-in.
CAD8	50-5/16-in.	20-9/16-in.	26-in.	8-1/4-in.	8-1/4-in.	3-in.

RGT & RPT Style Terminal Blocks

CATALOG NUMBER	3-PR.	6-PR.	12-PR.	25-PR.
	382VSR	145	RPT12L/RGT12L	RGT/RPT25
CAD4	4	4	1	0
CAD6	4	4	1	1
CAD8	4	4	2	1

Dimensions



A-Line Style Terminal Blocks

CATALOG NO.	— UNPROTECTED —		— PROTECTED —		
	RGT/RPT10A	RGT/RPT25A	RPT5A	RPT10A	RGT/RPT25A
CAD4	2	1	2	2	0
CAD6	2	1	2	2	1
CAD8	2	2*	2	2	1

* Stubless block

Ordering Information

CATALOG NUMBER	PART NUMBER	DESCRIPTION	SPLICED PAIRS
CAD4	F604500	4-in. gray-green pedestal	150 pair
CAD6	F604510	6-in. gray-green pedestal	400 pair
CAD670	F604515	6-in. gray-green pedestal, 70-in. tall	400 pair
CAD8	F604520	8-in. gray-green pedestal	900 pair

Note 1: Total number of pairs spliced is dependent on connector use and local practices

Note 2: RGT and RPT blocks are grounded through the mounting plate.