

VERTIV™ BBE BD SERIES

UPCBDS Broadband Edge Enclosures



KEY FEATURES

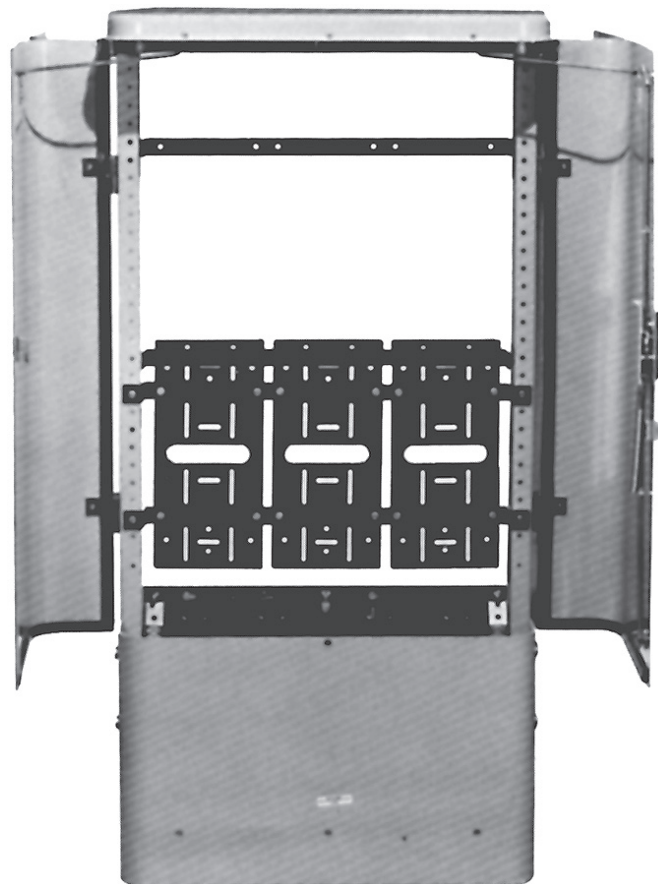
- Rugged metal housing made of mill-galvanized steel for durability and low maintenance costs.
- Our unique multi-stage paint process meets or exceeds EPA standards, and provides a tough corrosion resistant finish for longer life.
- Double-access hinged doors provide easy access to all conductors.
- Pad-lockable door latch.
- Close-cell neoprene door gasketing ensures weatherproof protection for internal components.
- Stake- or pad-mount capability offers installation flexibility for multiple applications.
- High activity kit available for flexibility to mount cross-connect blocks, terminal blocks, electrical equipment, etc.
- Meets or exceeds RUS requirements.

Description

Vertiv™ BBE BD Series, UPCBDS100, UPCBDS200, and UPCBDS300 are round-cornered rectangular-design telephone equipment enclosures. A UPCBDS enclosure includes splice support bars, mounting plates, bonding and grounding bracket, weather stripping, and two mounting stakes.

Application

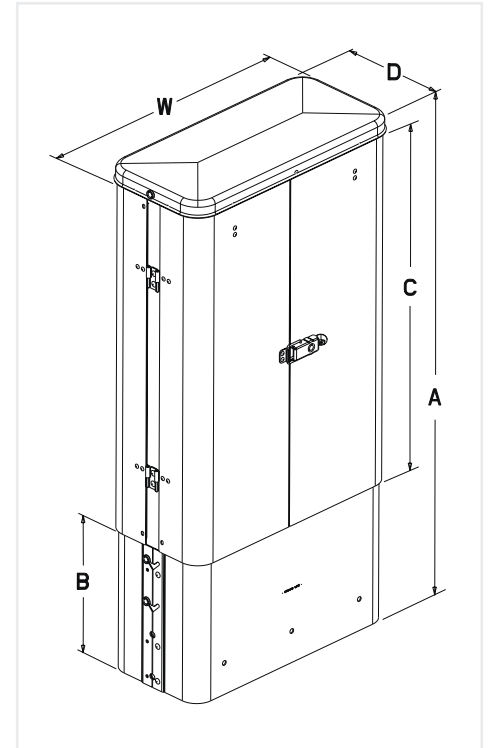
The UPCBDS series enclosures are equipped for splicing, load-coil mounting, and mounting of cross-connect systems, terminal blocks, and electrical equipment.



UPCBDS200

Dimensions

CATALOG NUMBER	A	B	C	D	W
UPCBDS100	48-in.	14-in.	31-7/8-in.	11-in.	16-1/2-in.
UPCBDS200	48-in.	14-in.	31-7/8-in.	11-1/4-in.	23-1/2-in.
UPCBDS300	50-in.	14-in.	33-3/8-in.	12-1/2-in.	28-1/2-in.



Specifications

Catalog Number	Splice	CROSS CONNECT			SUBSCRIBER TERMINAL	
		25 PAIR	BT 1-25		REPEATER UNITS	
		Load Coil	Feeder	Distribution	CM8	82A
UPCBDS100	1000 pair	2	75	75	2	2
UPCBDS200	2400 pair	6	100	125	3	4
UPCBDS300	3200 pair	6	100	125	3	4

Note: Total number of pairs spliced are dependent on connector use and local practices. There are two mounting plates included in the UPCBDS100, and three mounting plates included in the UPCBDS200 and UPCBDS300. An additional High Activity Kit doubles enclosure capacity (High Activity Kit plate holds three BT25 blocks per plate). Additional positive grounding of protected terminal blocks must be provided.

Ordering Information

CATALOG NUMBER	PART NUMBER	DESCRIPTION
UPCBDS100	F605580	Gray-green BDS 100 series enclosure
UPCBDS200	F605590	Gray-green BDS 200 series enclosure
UPCBDS300	F605600	Gray-green BDS 300 series enclosure

Accessories

PADMT200300	F605650	Pad-mounting bracket for UPCBDS200 and UPCBDS300
HIACT100	F605610	High activity plate for UPCBS100. Includes 2 plates per kit.
HIACT200	F605620	High activity plate for UPCBDS200. Includes 3 plates per kit.
HIACT300	F605630	High activity plate for UPCBDS300. Includes 3 plates per kit.

VertivCo.com | Vertiv Headquarters, 1050 Dearborn Drive, Columbus, OH, 43085, USA

© 2018 Vertiv Co. All rights reserved. Vertiv and the Vertiv logo are trademarks or registered trademarks of Vertiv Co. All other names and logos referred to are trade names, trademarks or registered trademarks of their respective owners. While every precaution has been taken to ensure accuracy and completeness herein, Vertiv Co. assumes no responsibility, and disclaims all liability, for damages resulting from use of this information or for any errors or omissions. Specifications are subject to change without notice.