

# LIEBERT® SN™ MODULAR SENSORS

## Quick Installation Guide



The Liebert SN modular sensors monitor temperature, humidity, door-open status, and digital input, such as smoke or water, in any area.

These instructions apply to the following Liebert SN modular-sensor models:

- SN-T—1 temperature probe
- SN-TH—1 temperature probe and 1 humidity probe
- SN-2D—1 door-switch probe with 2 inputs
- SN-3C—1 digital-input probe with 3 inputs

Each modular sensor ships with a 6.6-ft (2-m) cable to connect with a Liebert monitoring product.

### SENSOR-STRING COMPATIBLE

You can attach the sensors in a string, and the string can be a combination of integrated and modular sensors. (Integrated sensors are one or more probes integrated on a single cable.)

A string may include up to 10 probes and be a maximum of 65.6 ft (20 m).

The number of probes that may be used with Liebert monitoring products varies. Refer to the product's user guide for details.

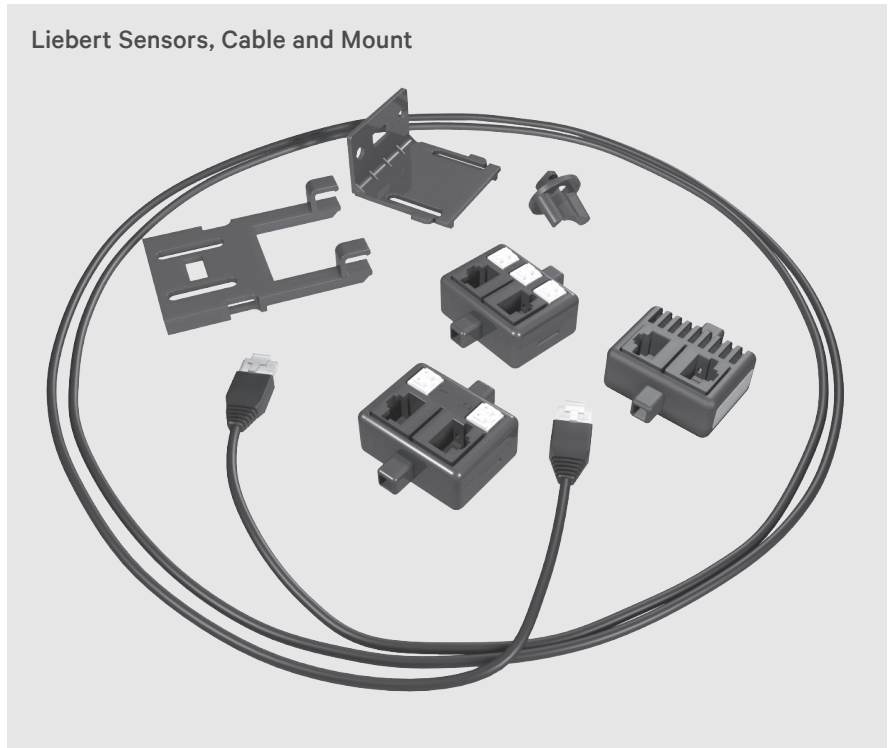
### PREPARING FOR INSTALLATION

#### 1. Record the address of each sensor.

During configuration, the web user interface displays the addresses of all connected sensors.

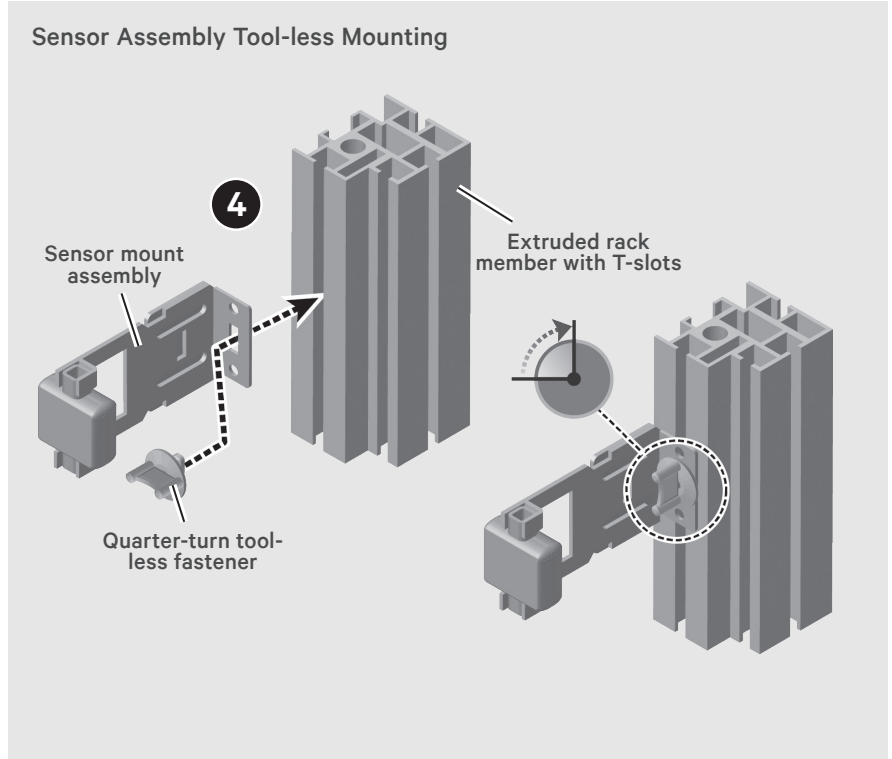
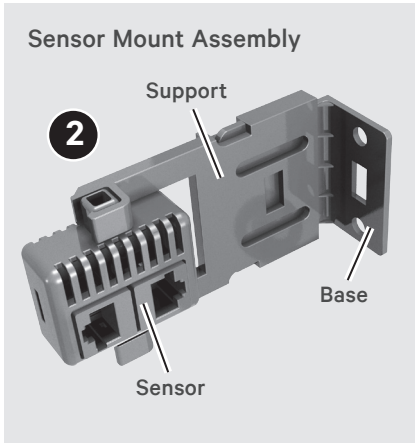
Before mounting or connecting, locate the sensor address on the sensor housing (see the picture on the following page) and record it.

Liebert Sensors, Cable and Mount



### Included Parts Quantity by Model Number

Part	SN-T	SN-TH	SN-2D	SN-3C
Temperature sensor	1	—	—	—
Temperature and Humidity sensor	—	1	—	—
Door switch, 2 inputs	—	—	1	—
Digital input, 3 inputs	—	—	—	1
Total number of probes	1	2	1	1
Sensor-bracket base	1	1	1	1
Sensor-bracket support	1	1	1	1
Screws, 8-32 x 7/16	2	2	2	2
Dual Lock™ fastener, 0.5 ft (0.15 m)	1	1	1	1
Cable ties	2	2	2	2
RJ45-to-RJ45 cable, 6.6 ft (2 m)	1	1	1	1
Quarter-turn High Pro fastener	1	1	1	1



## 2. Assemble the sensor and bracket

If using the supplied bracket and base:

- Insert the support base into the end of the support.
- Snap the sensor into the other end of the support.

## 3. Choose a mounting location

Keeping in mind that the temperature and humidity sensors require an unobstructed air flow, and that the sensor does not obstruct vents and impede air flow, select a mounting location. The installation parts needed for various mounting options are included with the sensor. You can install the sensor on rack rails, rack doors, and on a flat surface.

## MOUNT THE SENSOR

Use the step appropriate to your chosen mounting method:

## 4. Mounting on a Knurr® Rack-frame or 19-in. Rail

Insert the quarter-turn, tool-less fastener a slot on the support or base, place the bracket on the frame or rail, and turn the fastener clockwise (1/4 turn) to secure the sensor in place.

## 5. Mounting on rack door

- On a Knurr rack (only), use the supplied screws through the slots on the support or use the quarter-turn fastener to secure the sensor to the door.
- On all other racks (including Knurr), use cable ties to secure the sensor or support bracket to the door.

## 6. Mounting on a flat surface

Clean the mounting location with the supplied alcohol pad(s), then affix the sensor support to the surface using the supplied Dual Lock fasteners.

## 7. Mounting on a rack rail

This method requires a standard, pan-head rack screw, not supplied with the sensor.

Use the pan-head rack screw through a slot on the sensor support or base to secure the sensor in place.

## CONNECT THE SENSOR

The integrated cable connects to the SN Sensor port on your Liebert product. The Liebert SN sensor



ports are RJ45 ports designated with the sensor-port icon.

**NOTE:** Only use the SN sensor port to connect Liebert SN sensors.

## CONFIGURE THE SENSOR

Using the sensor address recorded before installation, use the web user interface of your Liebert product to acknowledge the sensor connection and configure parameters including labeling the sensor and setting thresholds for alarm/warning triggers.

## SPECIFICATIONS

Dimensions, W x D x H	2 x 3/4 x 1-5/8 in (51 x 19 x 41 mm)
Net Weight	0.25 lb (0.11 kg)
Shipping Weight	0.44 lb (0.2 kg)

### Temperature Sensor (SN-T and SN-TH models)

Ambient Operating Environment	41°F to 131°F (5°C to 55°C)
Sensor Range	41°F to 131°F (5°C to 55°C)
Accuracy	±1.1°F (±0.5°C)

### Humidity Sensor (SN-TH models)

Operating Altitude	Up to 6,000 ft (2,000 m)
Sensor Range	10% to 95% RH (non-condensing)
Accuracy	±3.5% RH

### Sensor Supports

Door-switch Supports (SN-2D models)	Non-powered door-switch contact rated for a minimum of 5 V, 1 mA
Dry-contact Supports (SN-3C models)	Non-powered contact rated for a minimum of 5 V, 1 mA



**To contact Vertiv Technical Support: visit [www.VertivCo.com](http://www.VertivCo.com)**

© 2017 Vertiv Co. All rights reserved. Vertiv, the Vertiv logo are trademarks or registered trademarks of Vertiv Co. All other names and logos referred to are trade names, trademarks or registered trademarks of their respective owners. While every precaution has been taken to ensure accuracy and completeness herein, Vertiv Co. assumes no responsibility, and disclaims all liability, for damages resulting from use of this information or for any errors or omissions. Specifications are subject to change without notice.

